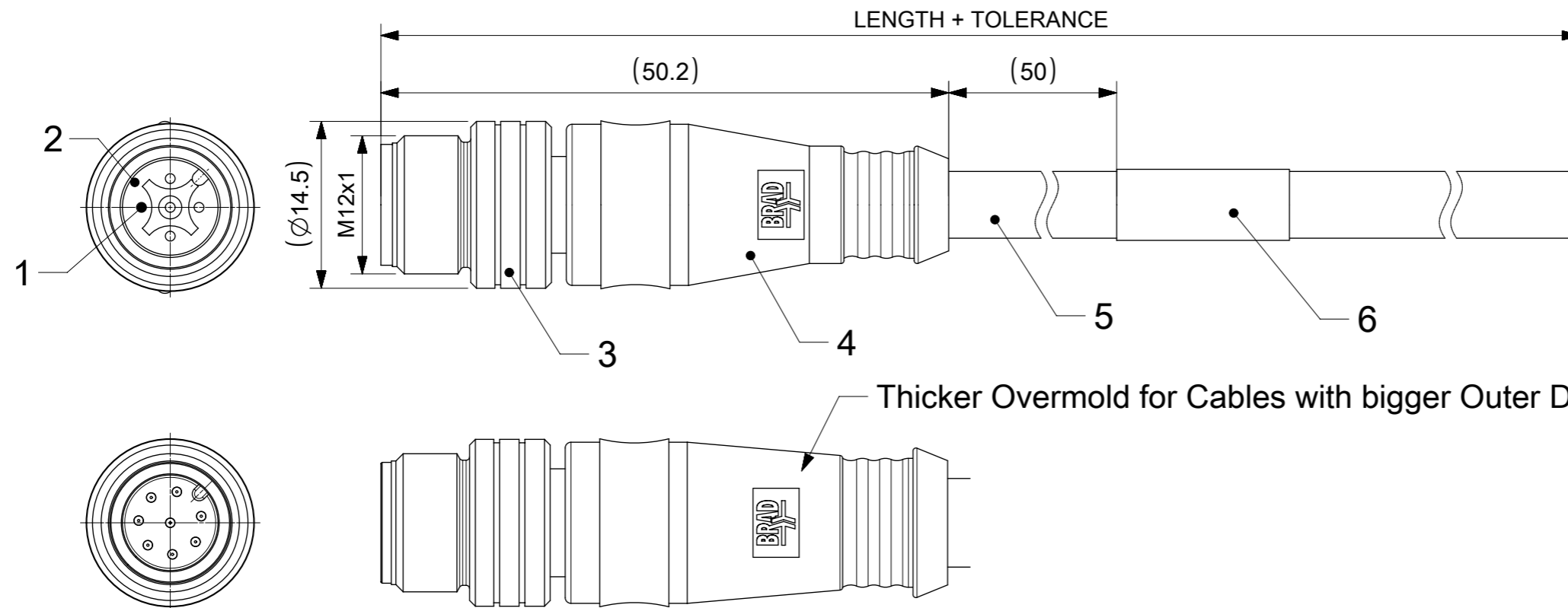


MALE PLUG M12 STRAIGHT



NOTES:
 RATED VOLTAGE: 3, 4 contacts 250V
 5 contacts 60V
 8 contacts 30V
 RATED CURRENT: 3, 4, 5 contacts 4A
 8 contacts 2A
 PROTECTION CLASS: IP 67
 TEMPERATURE: -25°C / +85°C

CONTACTS POSITION FRONT VIEW:

3 CONTACTS		4 CONTACTS		5 CONTACTS		8 CONTACTS	
PIN	WIRE	PIN	WIRE	PIN	WIRE	PIN	WIRE
1	BROWN	1	BROWN	1	BROWN	1	WHITE
2	---	2	WHITE	2	WHITE	2	BROWN
3	BLUE	3	BLUE	3	BLUE	3	GREEN
4	BLACK	4	BLACK	4	BLACK	4	YELLOW
5	---	5	---	5	GREY	5	GREY
						6	PINK
						7	BLUE
						8	RED
SHIELD CONNECTED TO THE COUPLING NUT							
CODING REQUIRED TO IEC 61076-2-101							

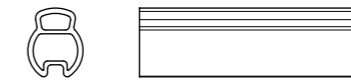
FOR OPTIONS SEE - NUMERICAL CODE - ON SHEET 2

ITEM	QTY.	DESCRIPTION	MATERIAL	FINISH
6	1	LABEL YELLOW	VINYL	---
5	-	CABLE	SEE SHEET 2	---
4	-	OVERMOLDING (SEE SHEET 2)	TPU	---
3	1	COUPLING NUT MALE	SEE SHEET 2	---
2	1	INSERT MALE BLACK	PUR	---
1	3 / 4 / 5 / 8	CONTACT M12 MALE	BRASS	SELECTIVE Au OVER Ni

SYMBOLS THIS DRAWING CONTAINS INFORMATION THAT IS PROPRIETARY TO MOLEX ELECTRONIC TECHNOLOGIES, LLC AND SHOULD NOT BE USED WITHOUT WRITTEN PERMISSION DIMENSION UNITS: mm SCALE: 2:1 GENERAL TOLERANCES (UNLESS SPECIFIED): ANGULAR TOL: ± ° 4 PLACES ± 3 PLACES ± 2 PLACES ± 1 PLACE ± 0 PLACES ± DRAFT WHERE APPLICABLE MUST REMAIN WITHIN DIMENSIONS THIRD ANGLE PROJECTION DRAWING: A3-SIZE SERIES: 120010 MATERIAL NUMBER: SEE SHEET 3 CUSTOMER: GENERAL MARKET SHEET NUMBER: 1 OF 3	CURRENT REV DESC: NEW P/N 1200699704 ADDED TO PART LIST, P20 CABLE TEMP UPDATED EC NO: 617567 DRWN: SSM 2019/05/17 CHK'D: RSILLER 2019/05/20 APPR: RSILLER 2019/05/20 INITIAL REVISION: DRWN: AKONDRACIUK 2017/07/12 APPR: DSTACHOWIAK 2017/07/17	 CSE M12 XP AC MA STR XM SE SH PRODUCT CUSTOMER DRAWING DOCUMENT NUMBER: 1200100015 DOC TYPE: PSD DOC PART: 000 REVISION: B2
	DOCUMENT STATUS: P1 RELEASE DATE: 2019/05/20 13:54:52	

ENGINEERING NO. - NUMERICAL CODE (Available parts see PART LIST table. Others on request).

OPTIONS



H= 2 pcs. of I/D Carrier
PVC Transparent

8 0 X S 0 6 X X X X X X X X

80=M12x1
Single ended

Contacts:
3=3 Contacts
4=4 Contacts
5=5 Contacts
8=8 Contacts

Heads style:
S06 =Plug Shield Male
Straight

Cable type: See Table

Units:
M=Meter
C=Centimeter

Length
Examples:
005=0.5 unit
010=1 unit
100=10 units

Overmold color:
Blank=Yellow TPU for cables S20,S26
Blank=Black TPU for cables P19,P20, I26
A=Grey / G=Black / Y=Yellow

Coupling Nut:
3=Knurled Brass Ni Plated for cables P19, P20, S20
1=Hexagonal Stainless steel
5=Knurled Derlin
7=Knurled Brass Ni Plated, Teflon Coated
Blank=7 for cables I26, S26
9=Knurled / Hexagonal Brass Ni Plated SW13

CABLE INFORMATION (for more information see Cable Data Sheet).

CABLE TYPE	NO. OF WIRES	CROSS SECTION	CABLE JACKET	UL	CSA	STATIC: TEMP. / BENDING RADIUS	DYNAMIC: TEMP. / BENDING RADIUS	DRAG CHAIN	SHIELD
P19	8	0.25mm ²	PUR BLACK	-	-	-40°C to +90°C, 7.5xO.D.	-15°C to +90°C, 12.5xO.D.	2 000 000 cycles, 15xO.D.	YES
P20	3 / 4 / 5	0.34mm ²	PUR BLACK LS0H	-	-	-40°C to +90°C	-25°C to +90°C	-	YES
S20	3 / 4 / 5	0.34mm ²	PVC YELLOW	UL 2661/1731	C22.2 II A 105°C/300V	-30°C to +105°C	-	-	YES
S26	5	0.34mm ²	PVC YELLOW	UL 2661/1731	C22.2 II A 105°C/300V	-30°C to +105°C	-	-	YES
I26	5	0.34mm ²	PVC CEI GREY	-	-	-30°C to +70°C	-5°C to +70°C	-	YES

CABLE LENGTH TOLERANCES

OVER	UP TO AND INCLUDING	TOLERANCES [mm]
0	305mm	+19
305mm	915mm	+45
915mm	1830mm	+56
1830mm	3660mm	+89
3660mm	7320mm	+165
7320mm	14640mm	+317
14640mm	30500mm	+610
30500mm	>	+2% of finished length

SYMBOLS	THIS DRAWING CONTAINS INFORMATION THAT IS PROPRIETARY TO MOLEX ELECTRONIC TECHNOLOGIES, LLC AND SHOULD NOT BE USED WITHOUT WRITTEN PERMISSION		
	DIMENSION UNITS	SCALE	CURRENT REV DESC: NEW P/N 1200699704 ADDED TO PART LIST, P20 CABLE TEMP UPDATED
	mm	1:1	 CSE M12 XP AC MA STR XM SE SH PRODUCT CUSTOMER DRAWING
	GENERAL TOLERANCES (UNLESS SPECIFIED)		
ANGULAR TOL	±	°	EC NO: 617567 DRWN: SSM 2019/05/17 CHK'D: RSILLER 2019/05/20 APPR: RSILLER 2019/05/20
▽ = 0	4 PLACES	±	INITIAL REVISION: DRWN: AKONDRACIUK 2017/07/12 APPR: DSTACHOWIAK 2017/07/17
▽ = 0	3 PLACES	±	
▽ = 0	2 PLACES	±	DOCUMENT NUMBER: 1200100015 DOC TYPE: PSD DOC PART: 000 REVISION: B2
▽ = 0	1 PLACE	±	
▽ = 0	0 PLACES	±	MATERIAL NUMBER: SEE SHEET 3 CUSTOMER: GENERAL MARKET SHEET NUMBER: 2 OF 3
□ = 0	DRAFT WHERE APPLICABLE MUST REMAIN WITHIN DIMENSIONS		
▽ = 0	THIRD ANGLE PROJECTION	DRAWING	SERIES
		A3-SIZE	120010

PART LIST

No	Part No	Engineering No	Cable Length [m]
1	1200698324	803S06P20M020	2
2	1200100012	804S06P20M050	5
3	1200698110	804S06P20M200	20
4	1200698444	804S06P20M030	3
5	1200698470	804S06P20M015	1.5
6	1200698480	804S06P20M300	30
7	1200698084	804S06S20M010	1
8	1200698109	804S06P20M150	15
9	1200698443	804S06P20M010	1
10	1200698472	804S06S20M300	30
11	1200100015	805S06P20M020	2
12	1200698025	805S06P20M050	5
13	1200698026	805S06P20M100	10
14	1200698101	805S06P20C350	0.35
15	1200698149	805S06P20M0201G	2
16	1200698150	805S06P20M0501G	5
17	1200698365	805S06P20M050H	5
18	1200698834	805S06P20M015	1.5
19	1200698087	805S06I26M050	5
20	1200100188	808S06P19M003	0.3
21	1200100236	808S06P19M020	2
22	1200690196	808S06P19M080	8
23	1200695044	808S06P19M006	0.6
24	1200695051	808S06P19M100	10
25	1200698151	808S06P19M0201G	2
26	1200698152	808S06P19M0501G	5
27	1200698345	808S06P19M065	6.5
28	1200698346	808S06S19M065	6.5
29	1200698761	808S06P19M200	20
30	1200699418	808S06P19M015	1.5
31	1200699419	808S06P19M030	3
32	1200698085	808S06S19M010	1
33	1200698076	804S06P20M020	2
34	1200699704	805S06P20M004	0.4
35			

SYMBOLS	THIS DRAWING CONTAINS INFORMATION THAT IS PROPRIETARY TO MOLEX ELECTRONIC TECHNOLOGIES, LLC AND SHOULD NOT BE USED WITHOUT WRITTEN PERMISSION										
	DIMENSION UNITS		SCALE		CURRENT REV DESC: NEW P/N 1200699704 ADDED TO PART LIST, P20 CABLE TEMP UPDATED				molex		
	mm		1:1								
	▽ = 0		GENERAL TOLERANCES (UNLESS SPECIFIED)				EC NO: 617567 DRWN: SSM 2019/05/17 CHK'D: RSILLER 2019/05/20 APPR: RSILLER 2019/05/20				
	▽ = 0		ANGULAR TOL ± °								
	▽ = 0		4 PLACES ±				INITIAL REVISION: DRWN: AKONDRACIUK 2017/07/12 APPR: DSTACHOWIAK 2017/07/17				
	▽ = 0		3 PLACES ±								
	▽ = 0		2 PLACES ±				DOCUMENT NUMBER		DOC TYPE	DOC PART	REVISION
	▽ = 0		1 PLACE ±				1200100015		PSD	000	B2
	▽ = 0		0 PLACES ±				SEE PART LIST		GENERAL MARKET		SHEET NUMBER
■ = 0		DRAFT WHERE APPLICABLE MUST REMAIN WITHIN DIMENSIONS		THIRD ANGLE PROJECTION		DRAWING	SERIES	MATERIAL NUMBER	CUSTOMER	SHEET NUMBER	
▽ = 0						A3-SIZE	120010	SEE PART LIST	GENERAL MARKET	3 OF 3	

DOCUMENT STATUS	P1	RELEASE DATE	2019/05/20	13:54:52
-----------------	----	--------------	------------	----------