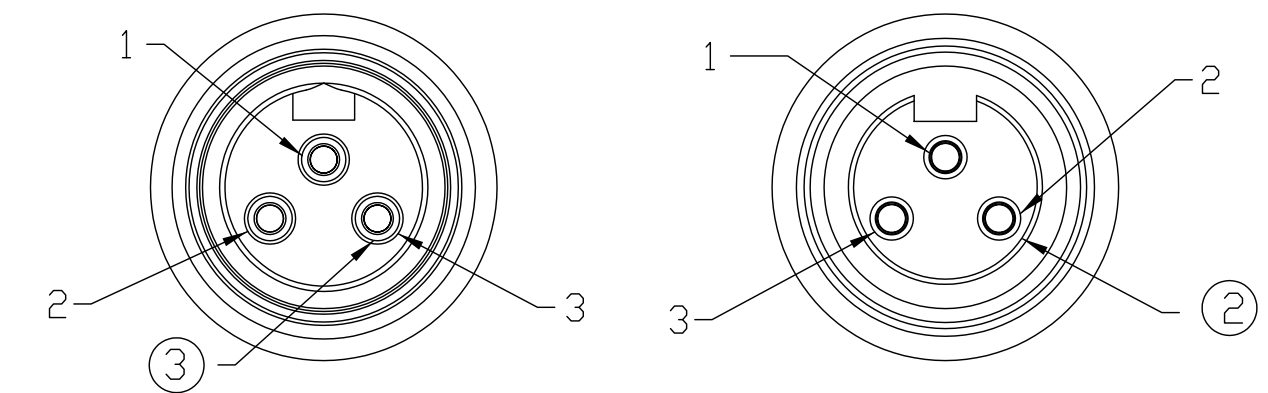
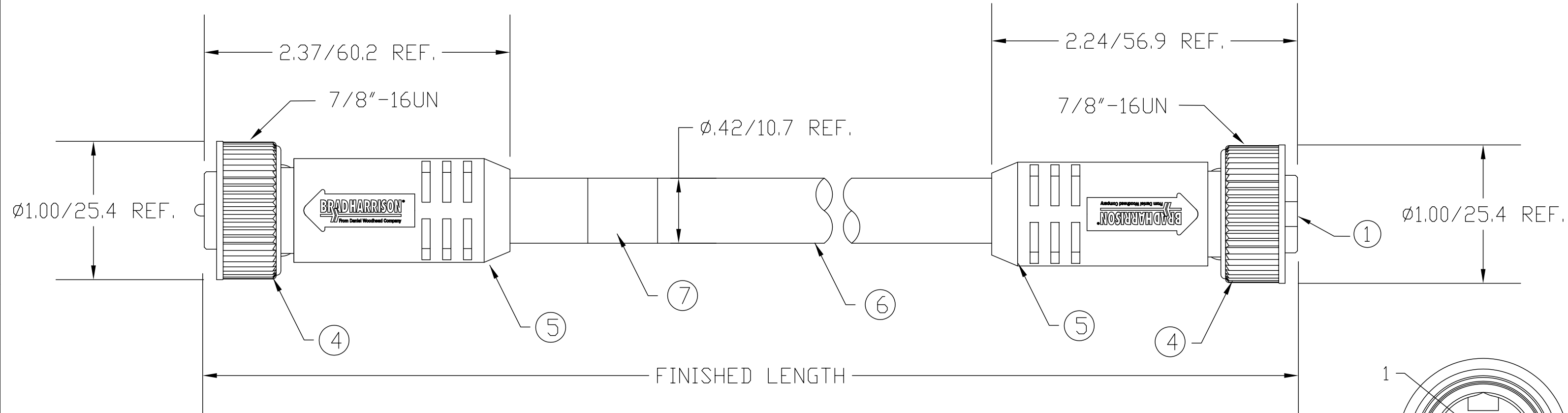
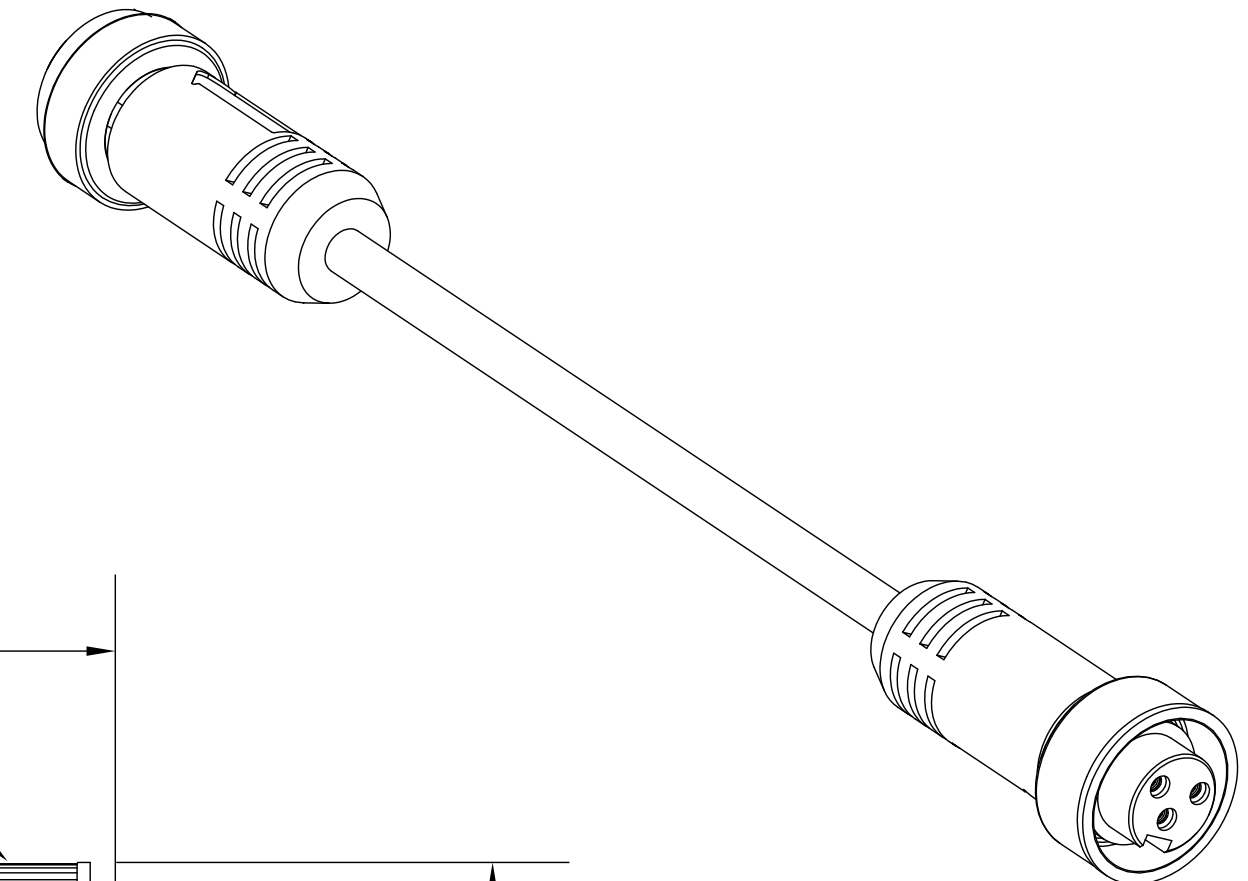
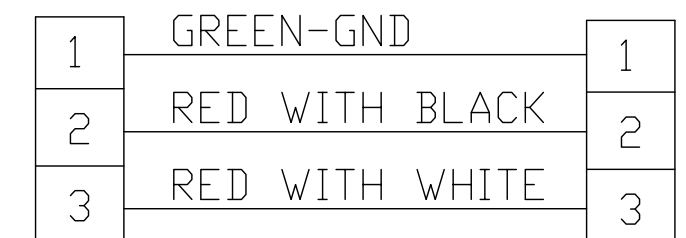


MATERIAL NUMBER	OLD PART NUMBER	FINISHED LENGTH
130010-0305	113020C01F030	3.00' +1.75" -0 [.9M +44.5 -0]
130010-0307	113020C01F060	6.00' +2.19" -0 [1.8M +55.6 -0]
130010-0311	113020C01F090	9.00' +3.50" -0 [2.7M +88.9 -0]
130010-0312	113020C01F120	12.00' +3.50" -0 [3.7M +88.9 -0]
130010-0315	113020C01F150	15.00' +6.50" -0 [4.6M +165.1 -0]
130010-0316	113020C01F200	20.00' +6.50" -0 [6.1M +165.1 -0]
130010-0319	113020C01F250	25.00' +12.50" -0 [7.6M +317.5 -0]



MALE FACE VIEW FEMALE FACE VIEW



WIRING DIAGRAM

NOTE
 1) MATERIAL: SEE TABLE
 2) FINISHES: SEE TABLE
 3) WRAP LABEL IS MARKED WITH P/N, DATE CODE, VOLTAGE & AMPERAGE
 4) MATES WITH: MINI CHANGE, 3 POLE RECEPTACLE
 5) ELECTRICAL DATA:
 FEMALE A-SIZE TO MALE A-SIZE CORDSET
 16AWG UNSHIELDED
 POLES: 3
 MAX. VOLTAGE: 600V
 MAX. CURRENT 13A
 PROTECTION IP67
 TEMPERATURE RANGE: -20°C TO 90°C

6) PACKAGING:
 CABLE ASSEMBLIES ARE BAGGED SEPERATELY IN POLY BAGS WITH BAR CODE LABEL ATTACHED TO OUTSIDE OF BAG.
 7) ASSEMBLY IS RoHS COMPLIANT.
 8) CERTIFICATION
 CSA CERTIFIED, FILE NO. LR6837

ITEM	COMPONENT	MATERIAL	FINISH
1	INSERT	PVC	YELLOW
2	CONTACT SOCKET	COPPER ALLOY	GOLD OVER NICKEL
3	CONTACT PIN	COPPER ALLOY	GOLD OVER NICKEL
4	COUPLING NUT	ZINC DIE CAST	BLACK E-COATED
5	OVERMOLD	PVC	YELLOW
6	CABLE- 16AWG-3 600V, SOO	RUBBER	YELLOW
7	LABEL	MYLAR	BLACK/YELLOW

RLSO DRAWING EC NO: WNA2010-0418 DRWN: BWOODMAN20091230 CH'KD: VOU APPR: JFMURPHY 2010/01/08 A	DESCRIPTION REV	QUALITY SYMBOL ▽=0 ◁=0	GENERAL TOLERANCES (UNLESS SPECIFIED) <table border="1"> <thead> <tr> <th></th> <th>mm</th> <th>INCH</th> </tr> </thead> <tbody> <tr> <td>4 PLACES</td> <td>±---</td> <td>±---</td> </tr> <tr> <td>3 PLACES</td> <td>±---</td> <td>±.005</td> </tr> <tr> <td>2 PLACES</td> <td>±0.13</td> <td>±.010</td> </tr> <tr> <td>1 PLACE</td> <td>±0.25</td> <td>±.020</td> </tr> </tbody> </table>		mm	INCH	4 PLACES	±---	±---	3 PLACES	±---	±.005	2 PLACES	±0.13	±.010	1 PLACE	±0.25	±.020	DIMENSION STYLE IN/MM DRAWN BY: _____ DATE: _____ CHECKED BY: VOU DATE: 2009/12/30 APPROVED BY: JFMURPHY DATE: 2010/01/07	SCALE 1:1 DESIGN UNITS INCH THIRD ANGLE PROJECTION
			mm	INCH																
		4 PLACES	±---	±---																
		3 PLACES	±---	±.005																
2 PLACES	±0.13	±.010																		
1 PLACE	±0.25	±.020																		
DRAFT WHERE APPLICABLE MUST REMAIN WITHIN DIMENSIONS			MATERIAL NO. SEE CHART SIZE C	TITLE MINI-CHANGE CORDSET 3 POLE MALE/FEMALE 16 AWG SOO CABLE																
			MOLEX INCORPORATED	DOCUMENT NO. SD-130010-010 SHEET NO. 1 OF 1																
THIS DRAWING CONTAINS INFORMATION THAT IS PROPRIETARY TO MOLEX INCORPORATED AND SHOULD NOT BE USED WITHOUT WRITTEN PERMISSION																				