


# Counter nut - A-INL-M16-S-S - 1425176

Please be informed that the data shown in this PDF Document is generated from our Online Catalog. Please find the complete data in the user's documentation. Our General Terms of Use for Downloads are valid (<http://phoenixcontact.com/download>)

Counter nut, material: Stainless steel 1.4305, for threads M16 x 1.5, color: silver



## Key Commercial Data

|              |   |
|--------------|---|
| Packing unit | 10 pc   |
| GTIN         | <br>4 0 5 5 6 2 6 3 8 5 4 7 1 |
| GTIN         | 4055626385471   |

## Technical data

### Dimensions

|                            |         |
|----------------------------|---------|
| Length                     | 2.8 mm  |
| Connecting thread diameter | 16 mm   |
| Wrench size, counter nut   | 19 mm   |
| Hexagon angular dimension  | 20.9 mm |

### Ambient conditions

|                                 |                   |
|---------------------------------|-------------------|
| Ambient temperature (operation) | -70 °C ... 220 °C |
|---------------------------------|-------------------|

### General

|                             |                        |
|-----------------------------|------------------------|
| Material                    | Stainless steel 1.4305 |
| Thread type connection side | M16 x 1.5              |
| Color                       | silver                 |

### Standards and Regulations

|              |     |
|--------------|-----|
| Halogen-free | yes |
|--------------|-----|

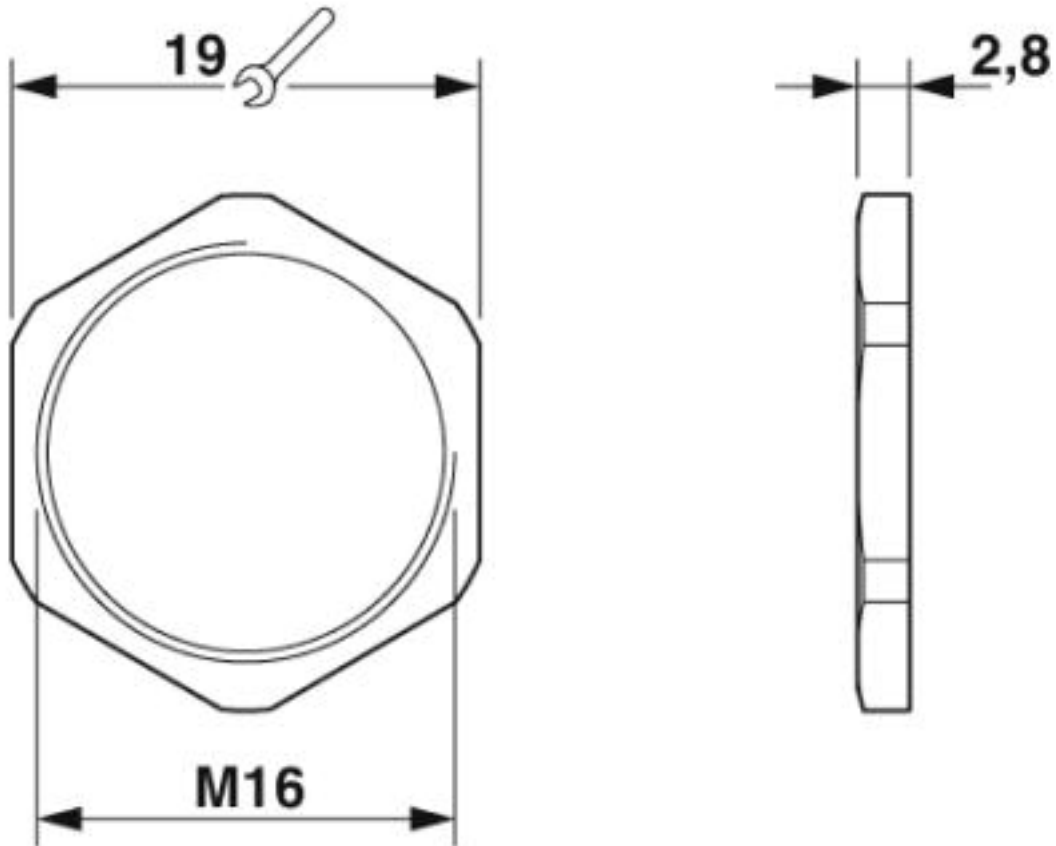
### Environmental Product Compliance

|            |   |
|------------|---|
| China RoHS | Environmentally friendly use period: unlimited = EFUP-e |
|            | No hazardous substances above threshold values          |

## Counter nut - A-INL-M16-S-S - 1425176

### Drawings

Dimensional drawing



Dimensional drawing

Phoenix Contact 2019 © - all rights reserved  
<http://www.phoenixcontact.com>

PHOENIX CONTACT GmbH & Co. KG  
Flachsmarktstr. 8  
32825 Blomberg  
Germany  
Tel. +49 5235 300  
Fax +49 5235 3 41200  
<http://www.phoenixcontact.com>