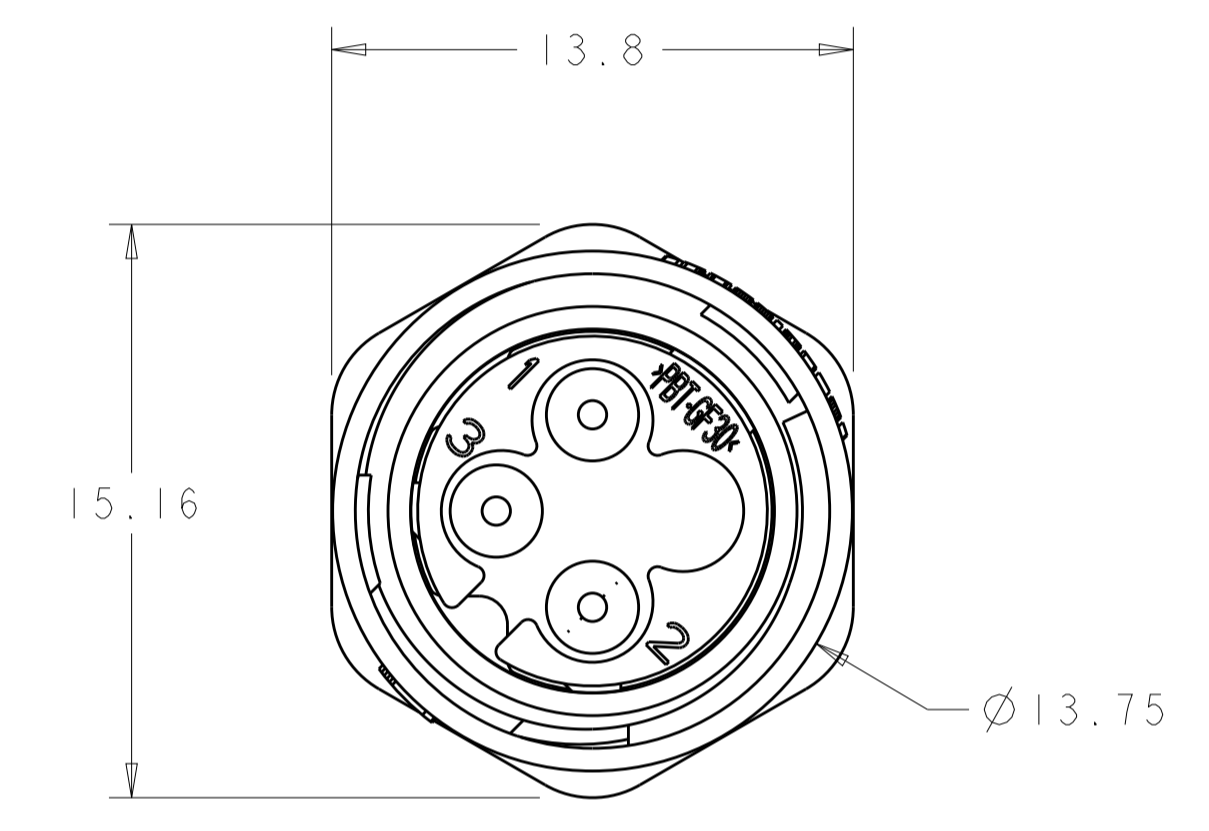
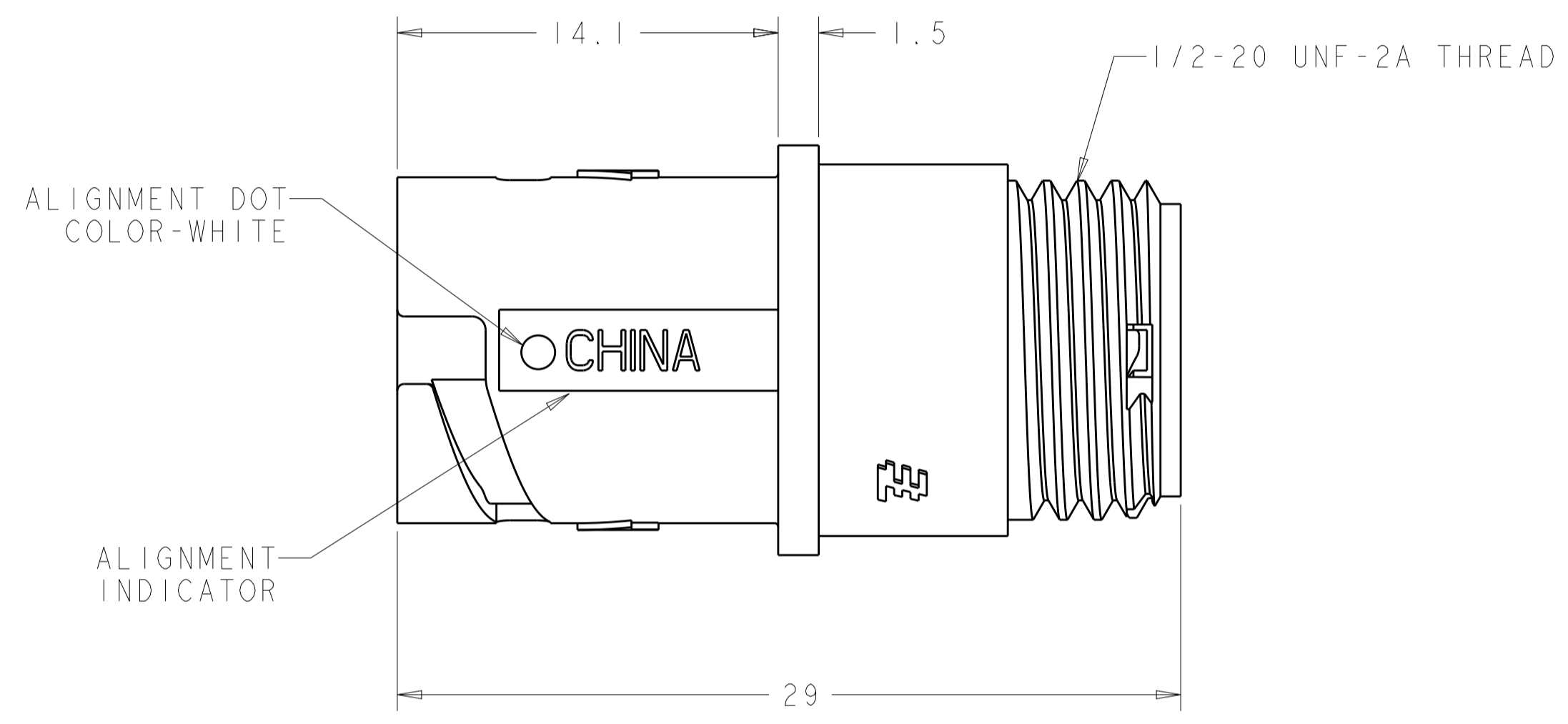
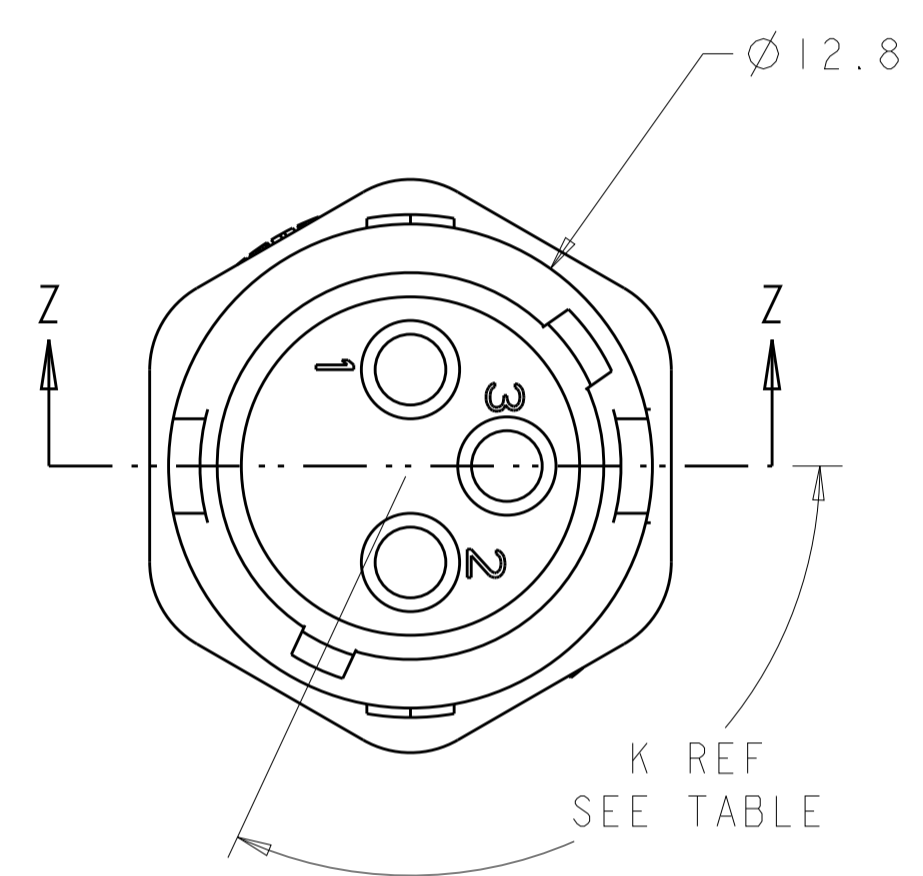
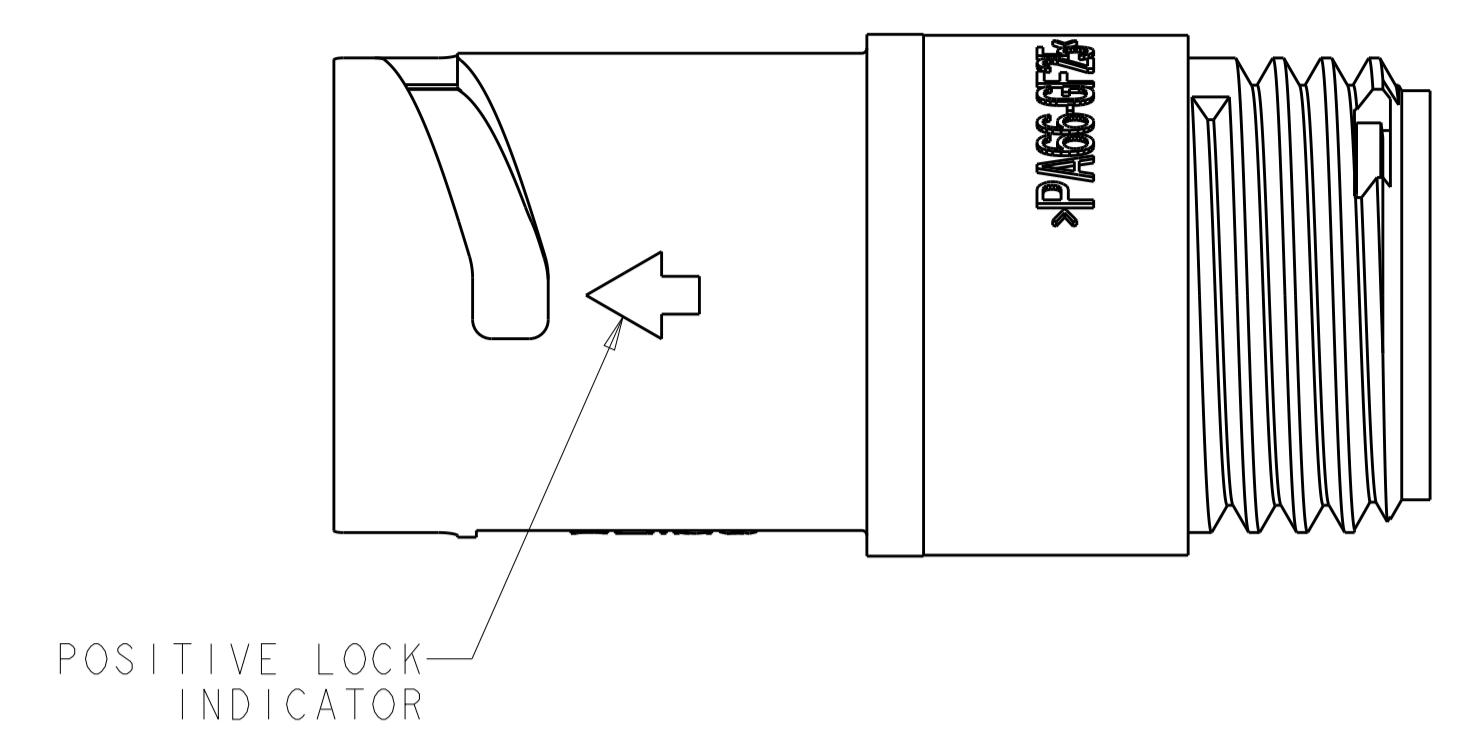
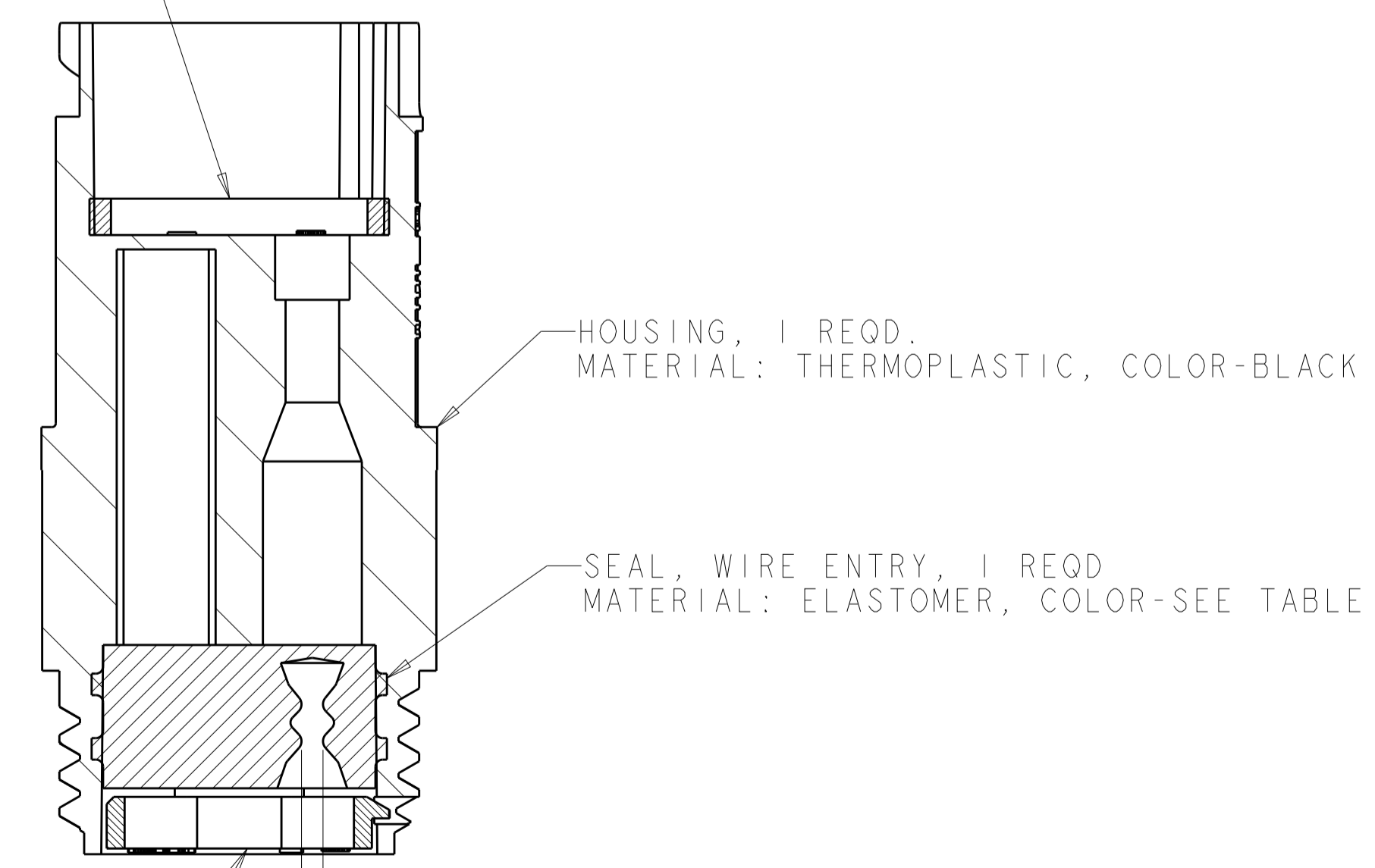


REVISIONS				
P.	LTN	DESCRIPTION	DATE	APVD
B2		REVISED PER ECO-15-010004	11JUL2015	NK MZ
C		REVISED PER ECO-16-018352	24MAR2017	RS MZ



SEAL, PERIPHERAL, 1 REQD.
MATERIAL: ELASTOMER, COLOR-GRAY



RETAINER, SEAL, 1 REQD.
MATERIAL: THERMOPLASTIC, COLOR-BLACK

Ø X REF SEE TABLE

SECTION Z-Z

OBSOLETE	YELLOW	Ø 0.75	130°	1445510-04
	NATURAL	Ø 1.5	115°	1445510-03
OBSOLETE	NATURAL	Ø 1.5	130°	1445510-02
	YELLOW	Ø 0.75	115°	1445510-01
	SEAL, WIRE ENTRY COLOR	Ø X REF	K REF	PART NUMBER

THIS DRAWING IS A CONTROLLED DOCUMENT.		DWN: S. WIEST 01MAY2001	STE TE Connectivity
DIMENSIONS: mm		CHK: G. DOUITY 01MAY2001	
TOLERANCES UNLESS OTHERWISE SPECIFIED:		APVD: H. WAKEEM 12JUN2003	NAME: ASSEMBLY, RECEPTACLE, SIZE 8, 3 POSITION, FREE HANGING, SEALED, MINI CPC
0 PLC ±0.5		PRODUCT SPEC	SIZE: A100779 C=1445510
1 PLC ±0.5		APPLICATION SPEC	RESTRICTED TO
2 PLC ±0.13		WEIGHT	SCALE: 5:1 SHEET 1 OF 1 REV C
3 PLC ±0.13		CUSTOMER DRAWING	
4 PLC ±0.0001			
ANGLES ±0.0001			
FINISH			
MATERIAL: SEE CALLOUT			
FINISH: SEE CALLOUT			