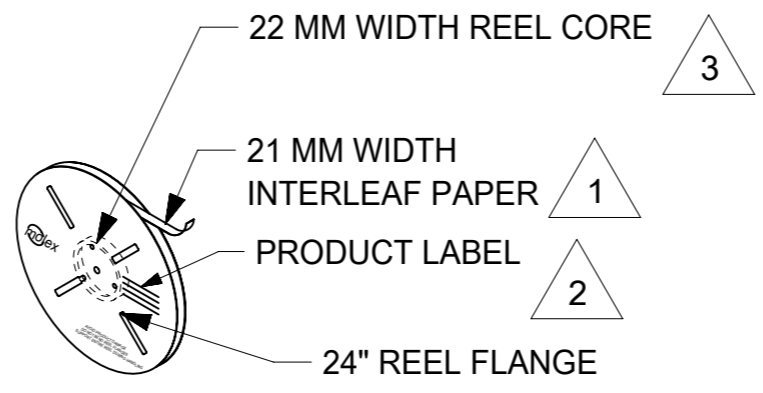


REELS PER CARTON	PACKAGING STYLE	PACKAGING MATERIAL NUMBER $\triangle 5$
4	REEL CARTON	885961370

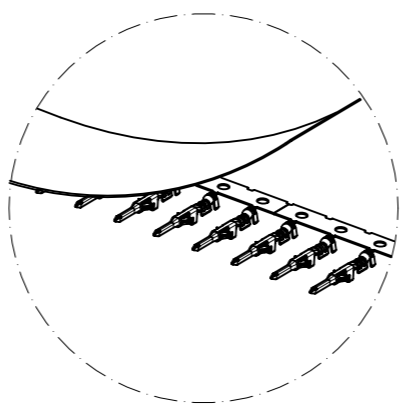
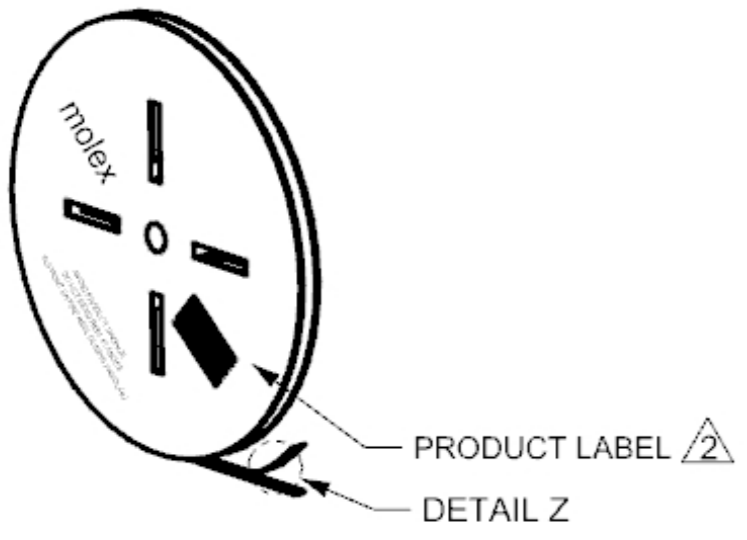
REEL COMPONENT	PACKAGING MATERIAL NUMBER $\triangle 5$	QUANTITY
REEL CORE $\triangle 3$	30907-6481	1
REEL FLANGE	085-06-5024	2
INTERLEAF PAPER	885961467	SEE NOTE 1



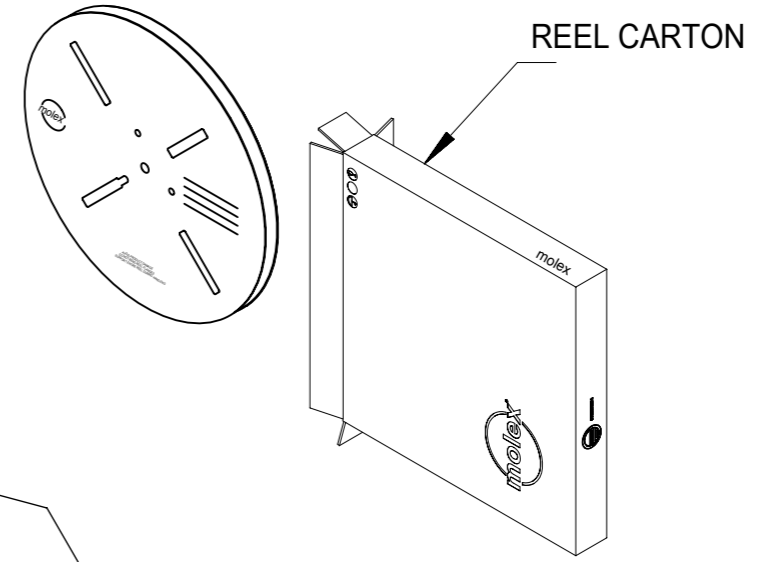
REEL ASSEMBLY
ALL DIMENSION REFERENCE

MATERIAL NUMBER	TERMINALS PER REEL	SPQ
2159530011	12000	48000
2159530021	12000	48000
2159530031	12000	48000
2159530041	10000	40000
2159530012	12000	48000
2159530022	12000	48000
2159530032	12000	48000
2159530042	10000	40000
2159530013	12000	48000
2159530023	12000	48000
2159530033	12000	48000
2159530043	10000	40000

TERMINALS SHOWN WITH BARREL/CRIMPS FACING DOWN



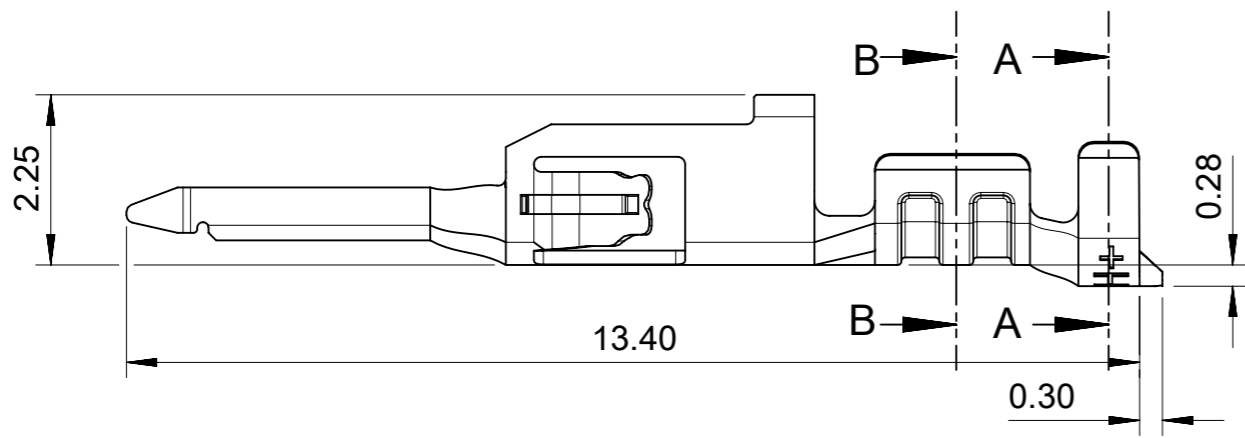
DETAIL Z
TERMINAL ORIENTATION



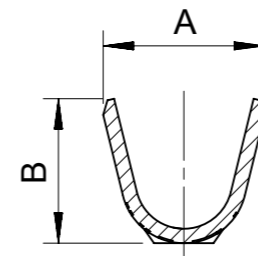
REEL CARTON

- NOTES:
- INTERLEAF PAPER SHOULD BE USED FOR THE ENTIRE REEL. (REF. ES-40000-7005)
 - PRODUCT LABEL TO BE ATTACHED AT THIS APPROXIMATE LOCATION. (REF. ES-40000-7012)
 - REEL CORE IS CUT TO WIDTH AS INDICATED.
 - REELS ARE SHIPPED IN PACKAGING THAT MATCHES PRESCRIBED ORDER QUANTITIES.
 - PREFERRED PACKAGING COMPONENT MATERIAL NUMBERS. ENGINEERING APPROVED EQUIVALENTS MAY BE SUBSTITUTED AS REQUIRED.

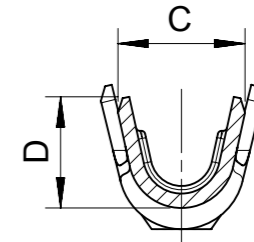
FUNCTIONAL SYMBOLS	THIS DRAWING CONTAINS INFORMATION THAT IS PROPRIETARY TO MOLEX ELECTRONIC TECHNOLOGIES, LLC AND SHOULD NOT BE USED WITHOUT WRITTEN PERMISSION				
	$\nabla A = 0$ $\nabla E = 0$ $\nabla F = 0$	DIMENSION UNITS: mm SCALE: 1:1			
DIVISIONAL SYMBOLS	4 PLACES	\pm	PRODUCT CUSTOMER DRAWING		
	3 PLACES	± 0.1	DOCUMENT NUMBER: 2159530000-PK		
	2 PLACES	± 0.3	DOC TYPE: PSD		
	1 PLACE	± 0.5	DOC PART: 000		
DRAFT WHERE APPLICABLE MUST REMAIN WITHIN DIMENSIONS		THIRD ANGLE PROJECTION	DRAWING: A3-SIZE	SERIES: 215953	SHEET NUMBER: 1 OF 1



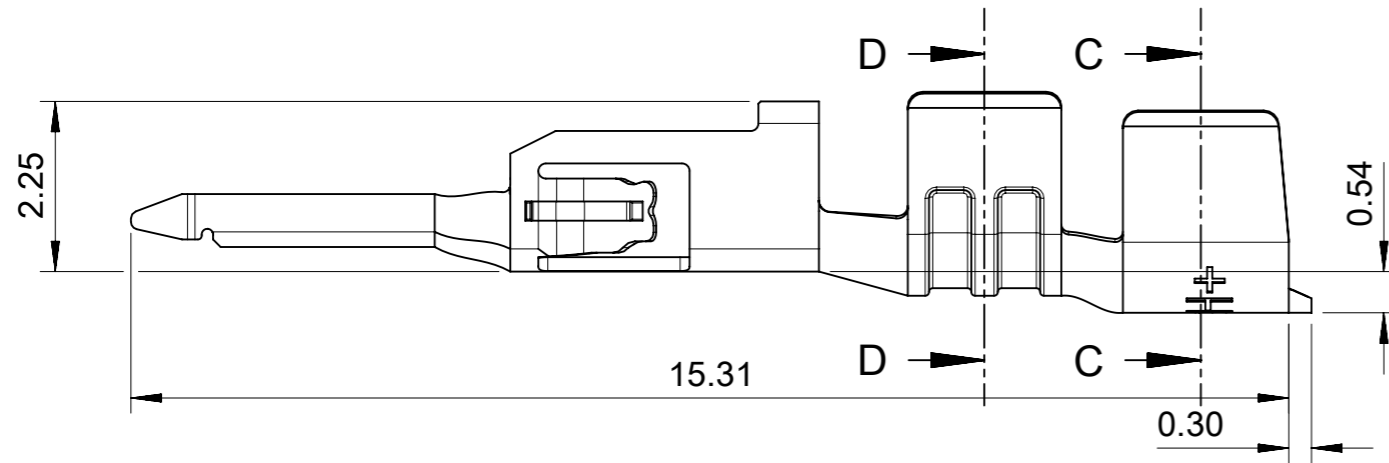
OLNY FOR AWG 18~30



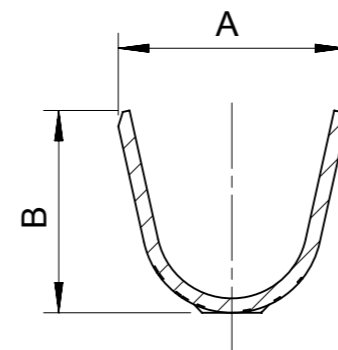
SECTION A-A



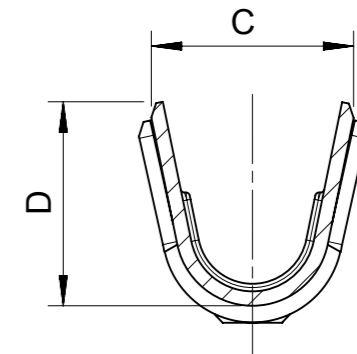
SECTION B-B



OLNY FOR AWG 16



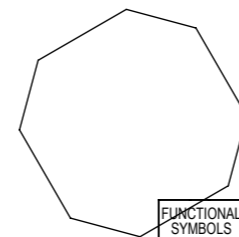
SECTION C-C



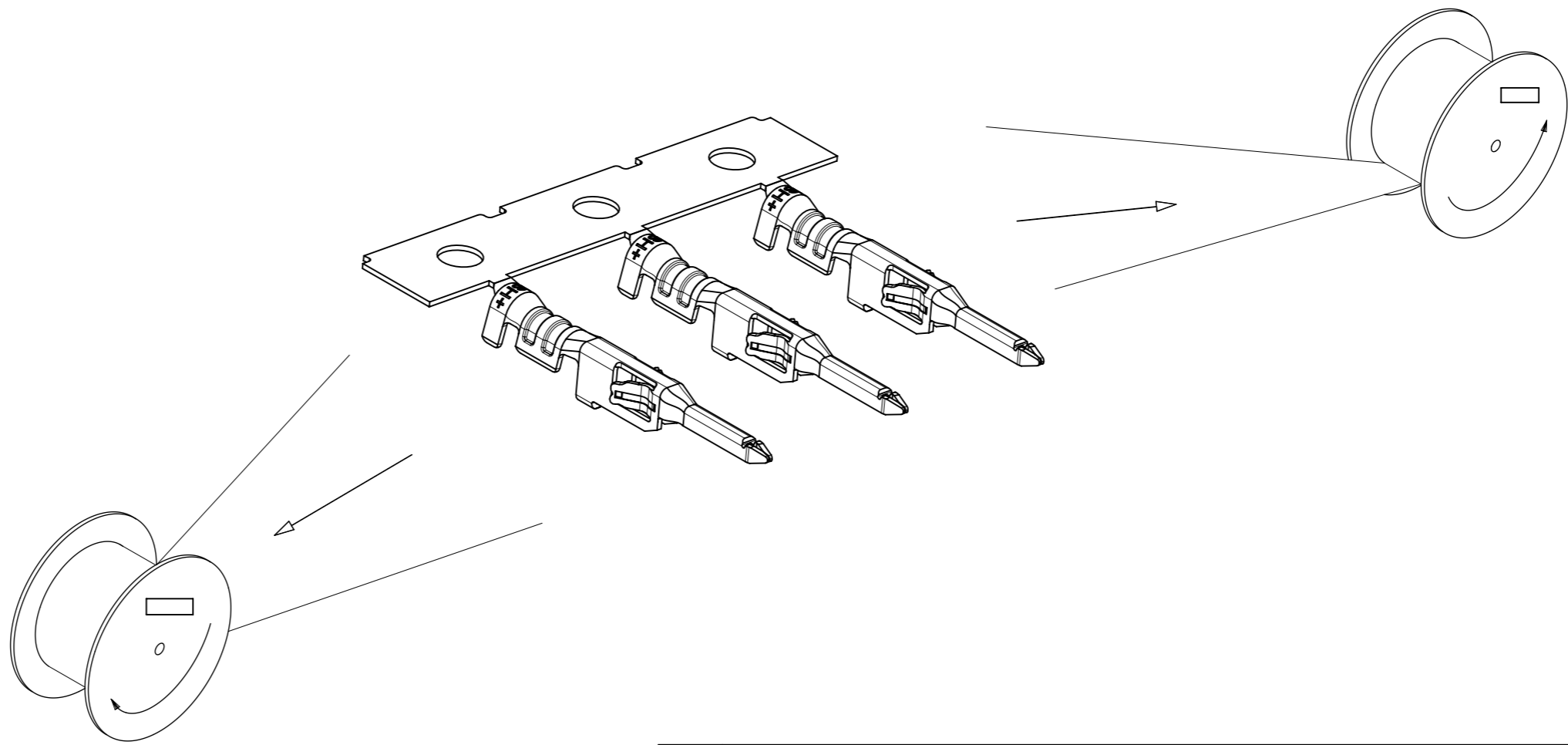
SECTION D-D

NOTES:

1. MATERIAL: HIGH CONDUCTIVITY COPPER ALLOY.
2. PLATING FINISH SEE CHART IN SHEET 3.
3. PRODUCT SPECIFICATION: 2159530000-PS.
4. PACKAGE SPECIFICATION: 2159530000-PK.
5. PLATING SPEC SEE CHART IN SHEET 3.
7. THIS PART TO BE USED WITH MOLEX PLUG 215922-****
8. PARTS CONFORM TO CLASS 'B' REQUIREMENTS OF COSMETIC SPECIFICATION PS-45499-002.

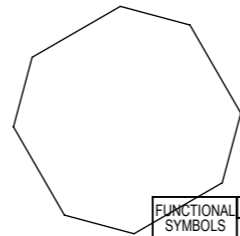


FUNCTIONAL SYMBOLS		THIS DRAWING CONTAINS INFORMATION THAT IS PROPRIETARY TO MOLEX ELECTRONIC TECHNOLOGIES, LLC AND SHOULD NOT BE USED WITHOUT WRITTEN PERMISSION		CURRENT REV DESC:		molex	
DIMENSION UNITS		SCALE		EC NO: 683725			
mm		1:1		DRWN: GLLI		SALES DRAWING OF PLUG TERMINAL	
GENERAL TOLERANCES (UNLESS SPECIFIED)		ANGULAR TOL ± °		2021/10/27		PRODUCT CUSTOMER DRAWING	
4 PLACES ±		°		2021/11/15		DOCUMENT NUMBER	
3 PLACES ± 0.1		°		2021/11/15		2159530000-SD	
2 PLACES ± 0.2		°		2021/02/01		DOC TYPE	
1 PLACE ± 0.3		°		2021/11/15		PSD	
0 PLACES ±		°		2021/11/15		DOC PART	
DRAFT WHERE APPLICABLE MUST REMAIN WITHIN DIMENSIONS		THIRD ANGLE PROJECTION		DRAWING		REVISION	
		A3-SIZE		SERIES		A	
		215953		MATERIAL NUMBER		SHEET NUMBER	
		GENERAL MARKET		CUSTOMER		1 OF 2	



PLATING	
A	REFLOW MATTE TIN OVER ALL(1.5 MICRONS MINIMUM BEFORE REFLOW), UNDER NICKEL PLATING 1.25~2.5 MICRONS MINIMUM OVERALL.
B	GOLD PLATING 0.38 MICRONS MINIMUM ON CONTACT AREA, MATTE TIN PLATING 2.5 MICRONS MINIMUM ON CRIMP AREA, UNDER NICKEL PLATING 1.25~2.5 MICRONS MINIMUM OVERALL.
C	GOLD PLATING 0.76 MICRONS MINIMUM ON CONTACT AREA, MATTE TIN PLATING 2.5 MICRONS MINIMUM ON CRIMP AREA, UNDER NICKEL PLATING 1.25~2.5 MICRONS MINIMUM OVERALL.

PART NUMBER	PLATING	WIRE SIZE	LUBE	DIMENSION			
				A	B	C	D
215953-0011	A	26-30 AWG	YES	2.10	1.91	1.65	1.47
215953-0021	A	20-24 AWG	YES	2.51	2.31	2.08	1.91
215953-0031	A	18 AWG	YES	2.51	2.31	2.39	2.18
215953-0041	A	16 AWG	YES	2.97	2.67	2.70	2.70
215953-0012	B	26-30 AWG	NO	2.10	1.91	1.65	1.47
215953-0022	B	20-24 AWG	NO	2.51	2.31	2.08	1.91
215953-0032	B	18 AWG	NO	2.51	2.31	2.39	2.18
215953-0042	B	16 AWG	NO	2.97	2.67	2.70	2.70
215953-0013	C	26-30 AWG	NO	2.10	1.91	1.65	1.47
215953-0023	C	20-24 AWG	NO	2.51	2.31	2.08	1.91
215953-0033	C	18 AWG	NO	2.51	2.31	2.39	2.18
215953-0043	C	16 AWG	NO	2.97	2.67	2.70	2.70



FUNCTIONAL SYMBOLS	THIS DRAWING CONTAINS INFORMATION THAT IS PROPRIETARY TO MOLEX ELECTRONIC TECHNOLOGIES, LLC AND SHOULD NOT BE USED WITHOUT WRITTEN PERMISSION	CURRENT REV DESC:		molex																						
	<table border="1"> <tr><td>FUNCTIONAL SYMBOLS</td><td>DIMENSION UNITS</td><td>SCALE</td></tr> <tr><td>$\nabla_A = 0$</td><td>mm</td><td>1:1</td></tr> <tr><td>$\nabla_E = 0$</td><td colspan="2">GENERAL TOLERANCES (UNLESS SPECIFIED)</td></tr> <tr><td>$\nabla_{E'} = 0$</td><td colspan="2">ANGULAR TOL ± °</td></tr> <tr><td rowspan="5">DIVISIONAL SYMBOLS</td><td>4 PLACES</td><td>±</td></tr> <tr><td>3 PLACES</td><td>± 0.1</td></tr> <tr><td>2 PLACES</td><td>± 0.2</td></tr> <tr><td>1 PLACE</td><td>± 0.3</td></tr> <tr><td>0 PLACES</td><td>±</td></tr> </table>	FUNCTIONAL SYMBOLS	DIMENSION UNITS		SCALE	$\nabla_A = 0$	mm	1:1	$\nabla_E = 0$	GENERAL TOLERANCES (UNLESS SPECIFIED)		$\nabla_{E'} = 0$	ANGULAR TOL ± °		DIVISIONAL SYMBOLS	4 PLACES	±	3 PLACES	± 0.1	2 PLACES	± 0.2	1 PLACE	± 0.3	0 PLACES	±	EC NO: 683725
FUNCTIONAL SYMBOLS	DIMENSION UNITS	SCALE																								
$\nabla_A = 0$	mm	1:1																								
$\nabla_E = 0$	GENERAL TOLERANCES (UNLESS SPECIFIED)																									
$\nabla_{E'} = 0$	ANGULAR TOL ± °																									
DIVISIONAL SYMBOLS	4 PLACES	±																								
	3 PLACES	± 0.1																								
	2 PLACES	± 0.2																								
	1 PLACE	± 0.3																								
	0 PLACES	±																								
DRWN: GLLI	2021/11/15	PRODUCT CUSTOMER DRAWING																								
DRAFT WHERE APPLICABLE MUST REMAIN WITHIN DIMENSIONS		THIRD ANGLE PROJECTION	DRAWING	SERIES	DOCUMENT NUMBER	DOC TYPE	DOC PART	REVISION																		
			A3-SIZE	215953	2159530000-SD	PSD	000	A																		
					MATERIAL NUMBER	CUSTOMER	SHEET NUMBER																			
						GENERAL MARKET	2 OF 2																			