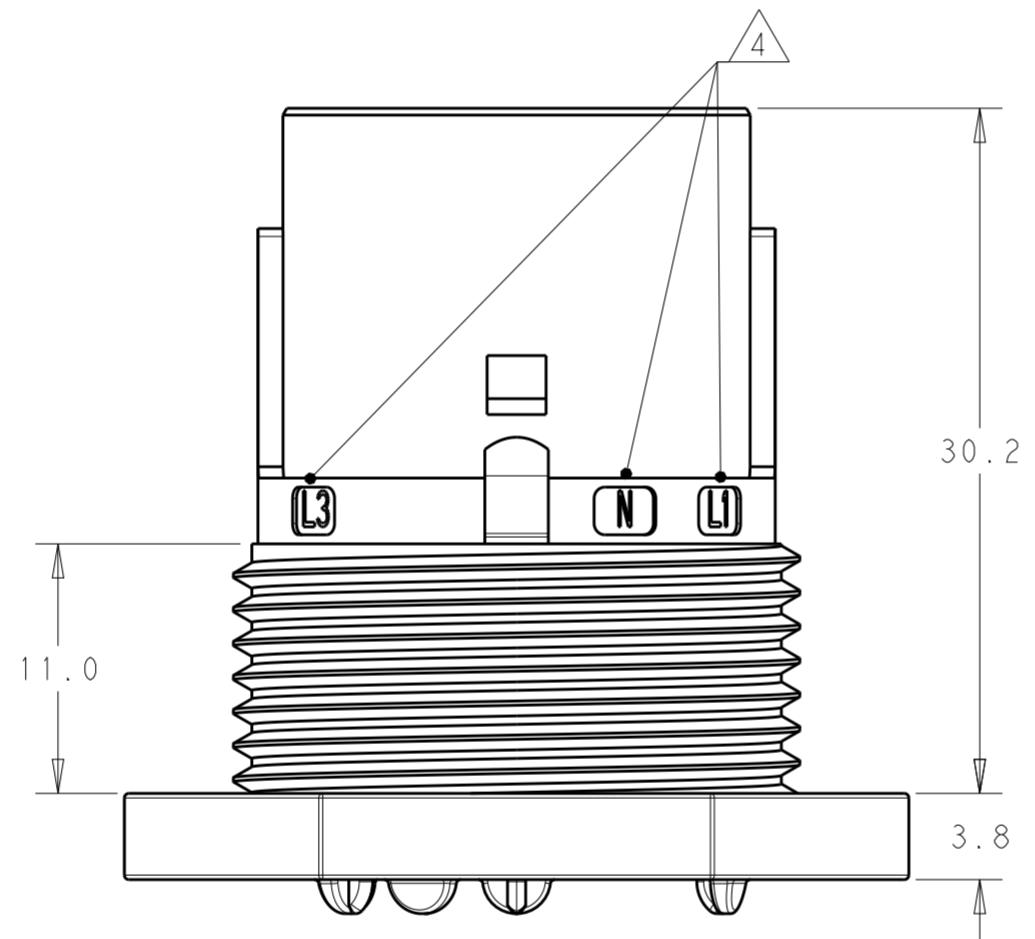
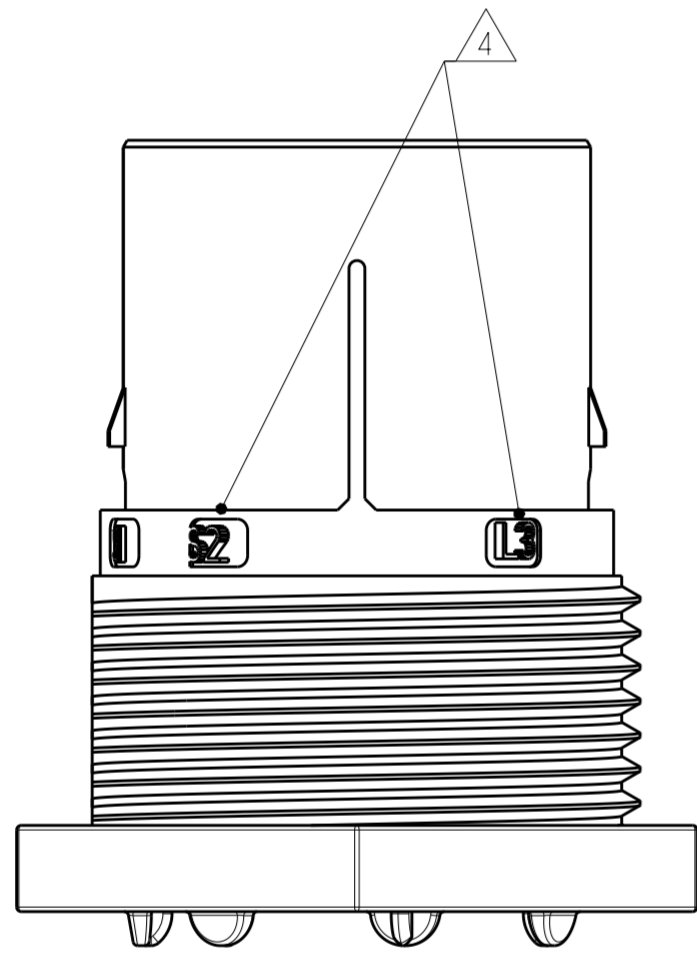
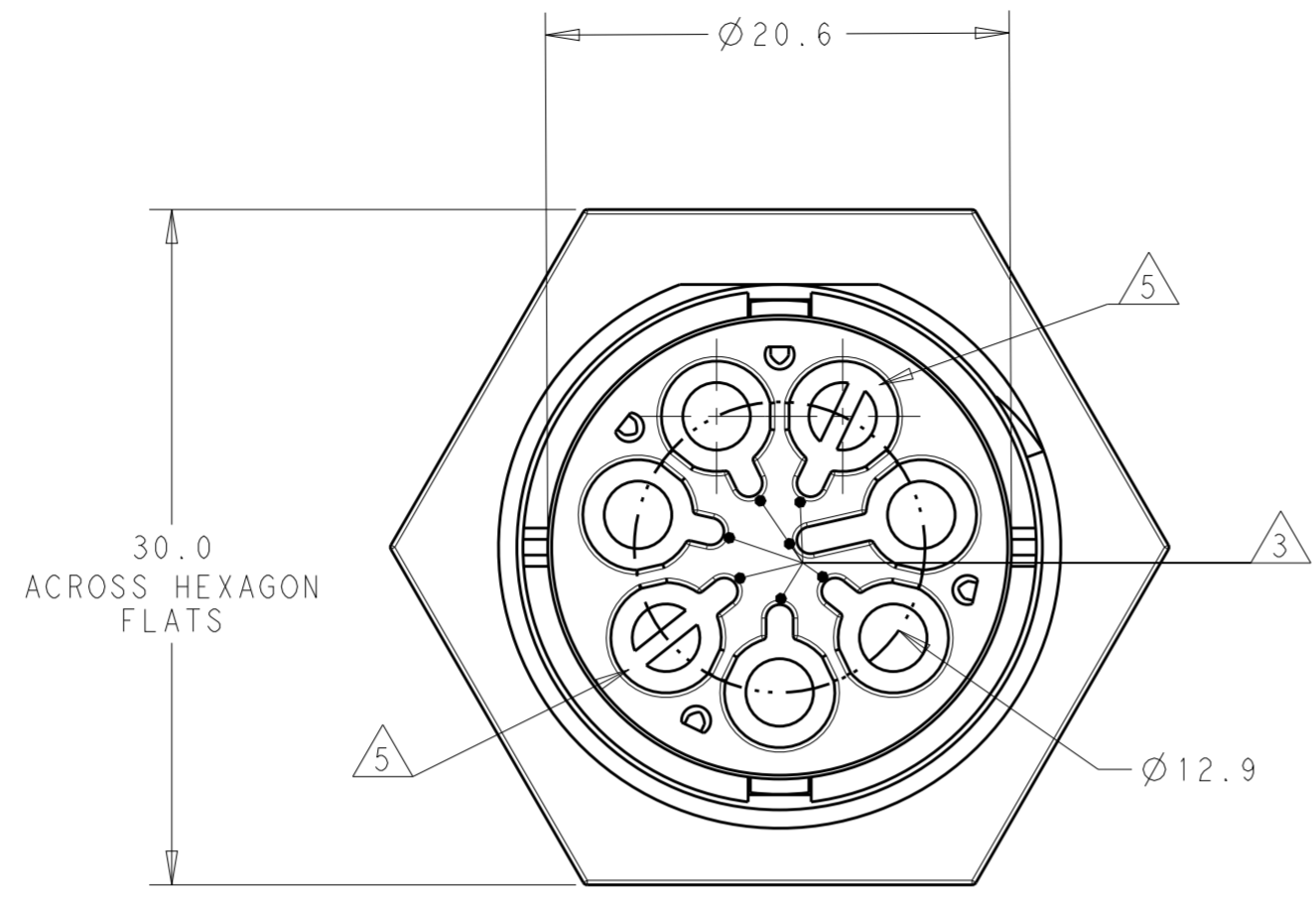
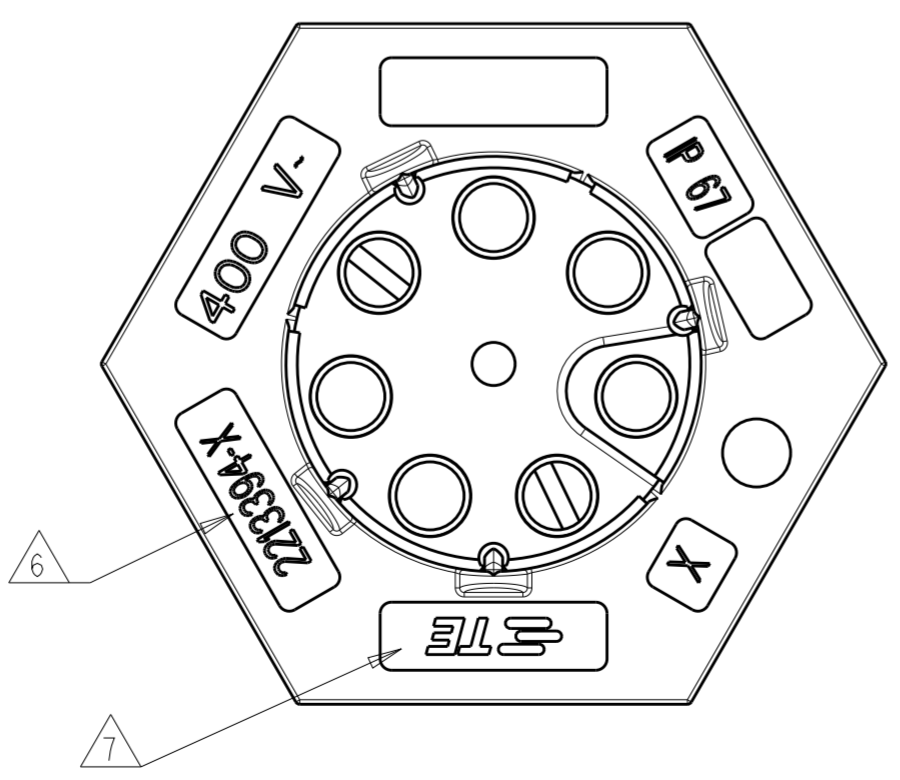
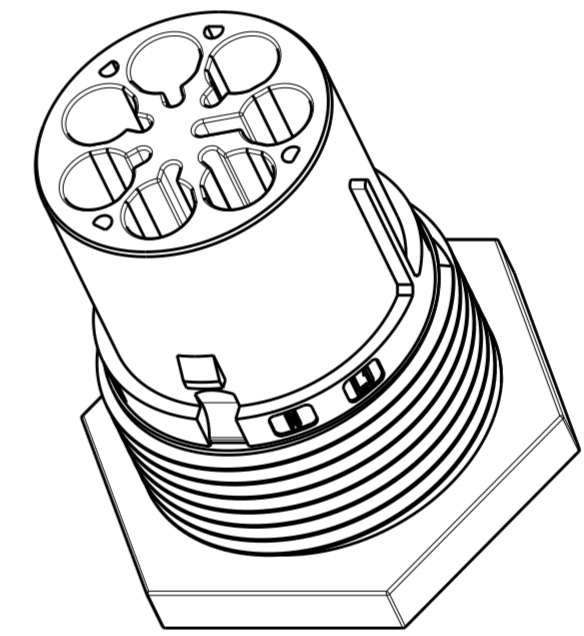


THIS DRAWING IS UNPUBLISHED. RELEASED FOR PUBLICATION 20  
 © COPYRIGHT 20 BY - ALL RIGHTS RESERVED.

REVISIONS					
P	LTR	DESCRIPTION	DATE	DWN	APVD
A		REVISED AS PER ECR-15-005925	21APR2015	RS	JL
A1		ECR-18-006945	02JUL2018	SR	MZ



- NOTES:
1. MATERIAL: GLASS FILLED PBT, COLOR: BLACK
  2. MUST COMPLY WITH DIRECTIVE 2002/95/EC (ROHS)
  3. ALL POLARIZATION KEYS SHOWN FOR REF ONLY.
  4. CIRCUIT I.D.
  5. CIRCUIT "L2" AND "L3" ARE BLOCKED TO PREVENT CONTACTS INSTALLATION.
  6. TE PART NUMBER.
  7. TE LOGO
  8. THIS PRODUCT HAS NOT COMPLETED VALIDATION TESTING



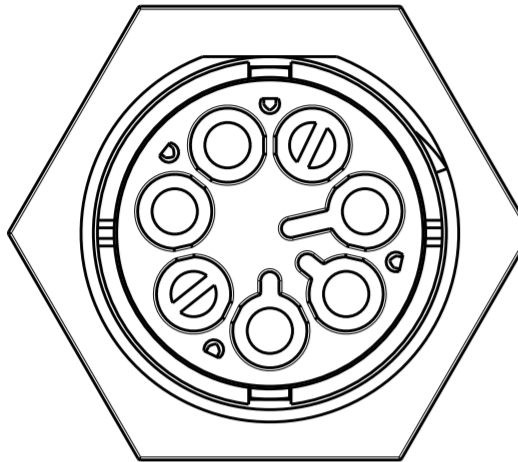
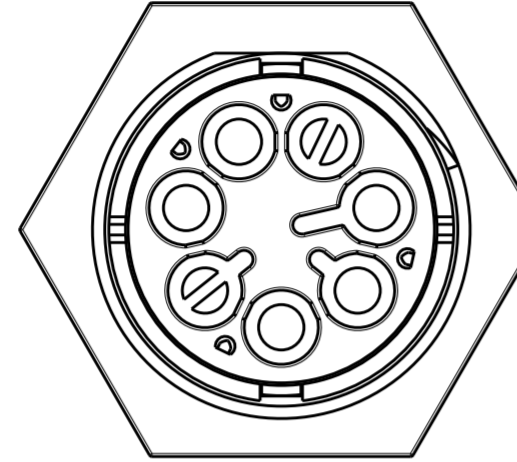
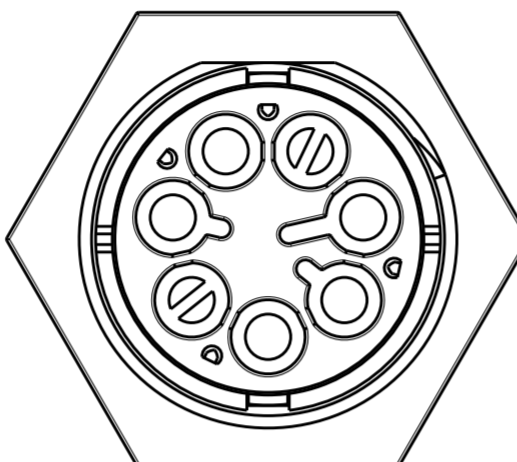
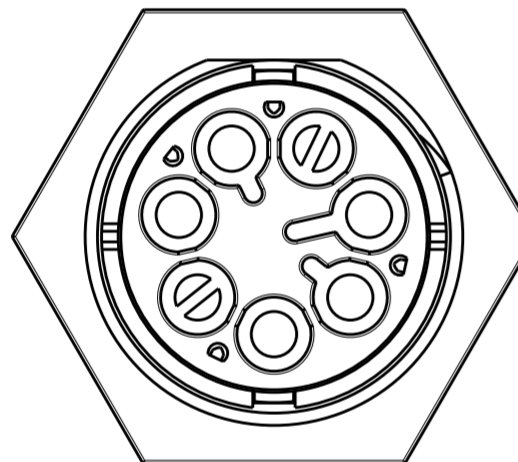
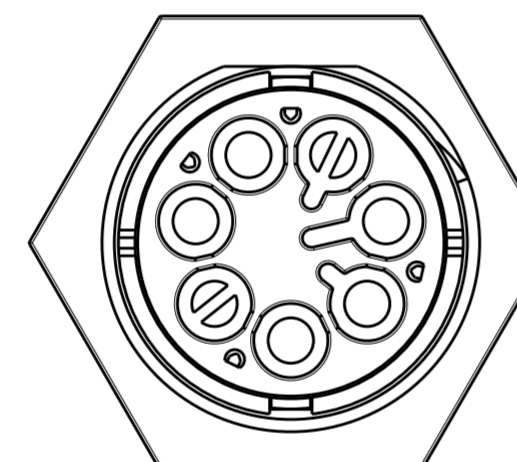
OBSOLETE	E	PANEL MOUNT PIN, SEALED NECTOR M, 5 POSN	2213394-5
	D	PANEL MOUNT PIN, SEALED NECTOR M, 5 POSN	2213394-4
	C	PANEL MOUNT PIN, SEALED NECTOR M, 5 POSN	2213394-3
	B	PANEL MOUNT PIN, SEALED NECTOR M, 5 POSN	2213394-2
	A	PANEL MOUNT PIN, SEALED NECTOR M, 5 POSN	2213394-1
	POLARIZATION TYPE	DESCRIPTION	PART NUMBER

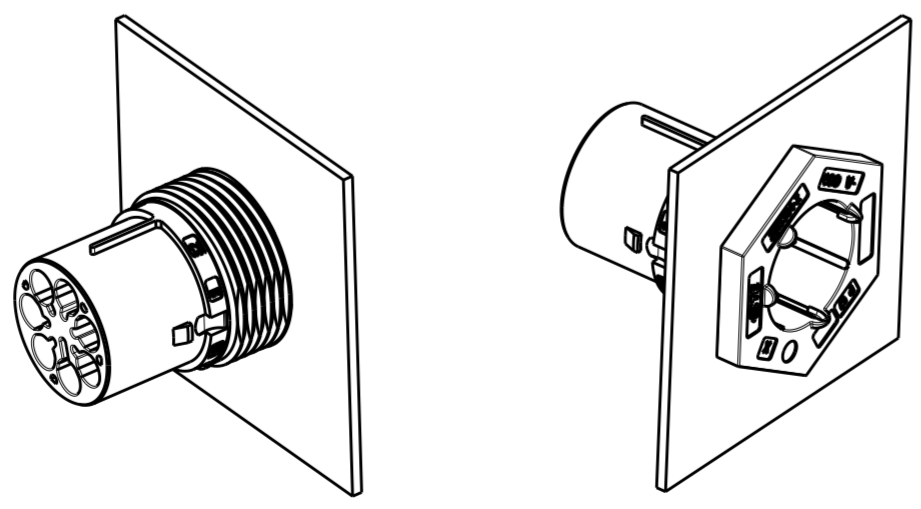
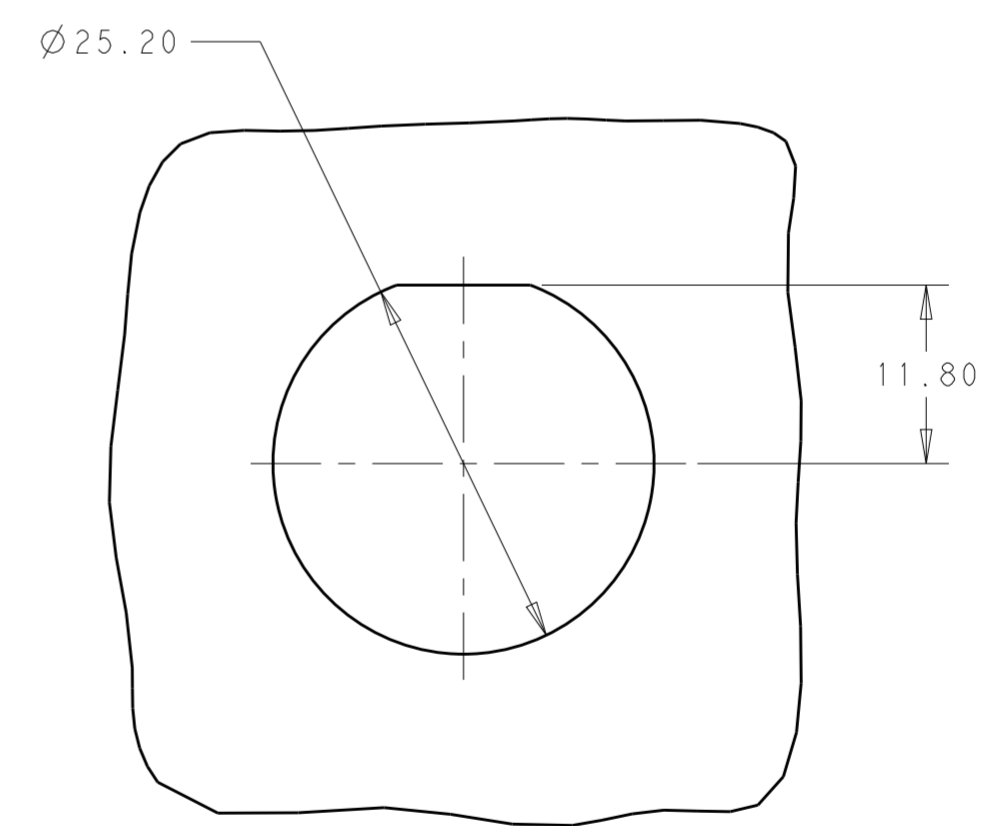
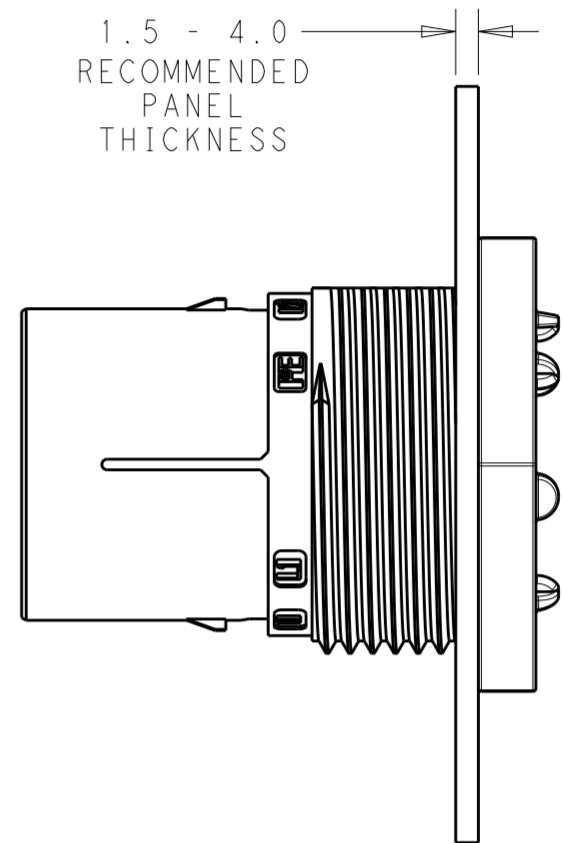
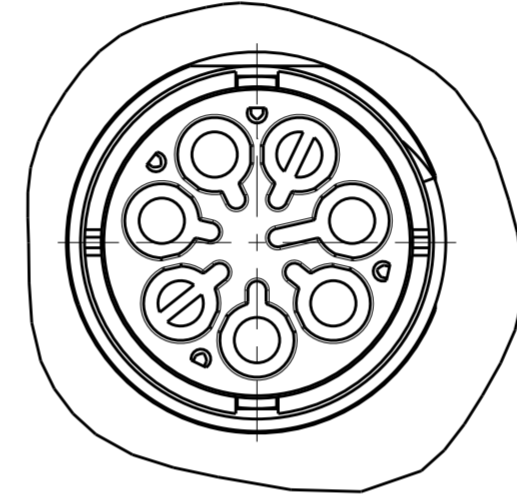
DIMENSIONS:		TOLERANCES UNLESS OTHERWISE SPECIFIED:		APVD		NAME						
mm	0 PLC	±		DWN	J. SHAEFFER	21 JAN 2014	TE Connectivity PANEL MOUNT, PIN; SEALED NECTOR M-LINE 5 POLE					
	1 PLC	±0.2		CHK	M. LUKSIC	21 JAN 2014						
	2 PLC	±0.13		APVD	M. LUKSIC	21 JAN 2014						
	3 PLC	±		PRODUCT SPEC								
	4 PLC	±		APPLICATION SPEC			SIZE	CAGE CODE	DRAWING NO	RESTRICTED TO		
MATERIAL	NOTE 1			WEIGHT			A2	-	G-2213394	-		
				Customer Drawing			SCALE	2:1	SHEET	1 OF 2	REV	A1

THIS DRAWING IS UNPUBLISHED. RELEASED FOR PUBLICATION 20  
 © COPYRIGHT 20 BY - ALL RIGHTS RESERVED.

REVISIONS				
P	LTR	DESCRIPTION	DATE	APVD
-		SEE SHEET 1	-	-

### POLARIZATION TYPES

POLARIZATION TYPE "A"	POLARIZATION TYPE "B"	POLARIZATION TYPE "C"
		
PN: 2213394-1	<del>PN: 2213394-2</del>	<del>PN: 2213394-3</del>
POLARIZATION TYPE "D"	POLARIZATION TYPE "E"	
		
<del>PN: 2213394-4</del>	<del>PN: 2213394-5</del>	



3D ISO VIEWS FOR REFERENCE ONLY

RECOMMENDED PANEL CUTOUT

THIS DRAWING IS A CONTROLLED DOCUMENT.		DWN J. SHAFFER 21 JAN 2014	<b>STE</b> TE Connectivity	
		CHK M. LUKSIC 21 JAN 2014		
		APVD M. LUKSIC 21 JAN 2014	NAME PANEL MOUNT, PIN; SEALED NECTOR M-LINE 5 POLE	
DIMENSIONS: mm		PRODUCT SPEC 108-133014	SIZE A2	CAGE CODE -
TOLERANCES UNLESS OTHERWISE SPECIFIED:		APPLICATION SPEC 114-32111	DRAWING NO. C-2213394	RESTRICTED TO -
0 PLC ±		WEIGHT -	SCALE 2:1	SHEET 2 OF 2
1 PLC ±0.2		Customer Drawing	REV A1	
2 PLC ±0.13				
3 PLC ±				
4 PLC ±				
ANGLES ±				
FINISH -				
NOTE 1 -				