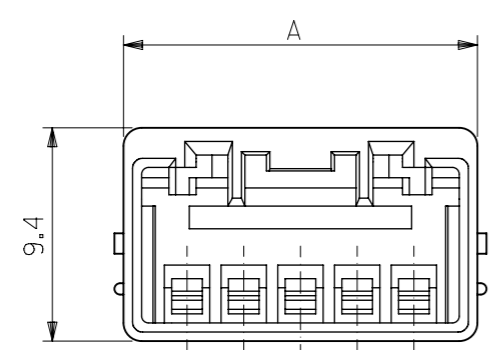
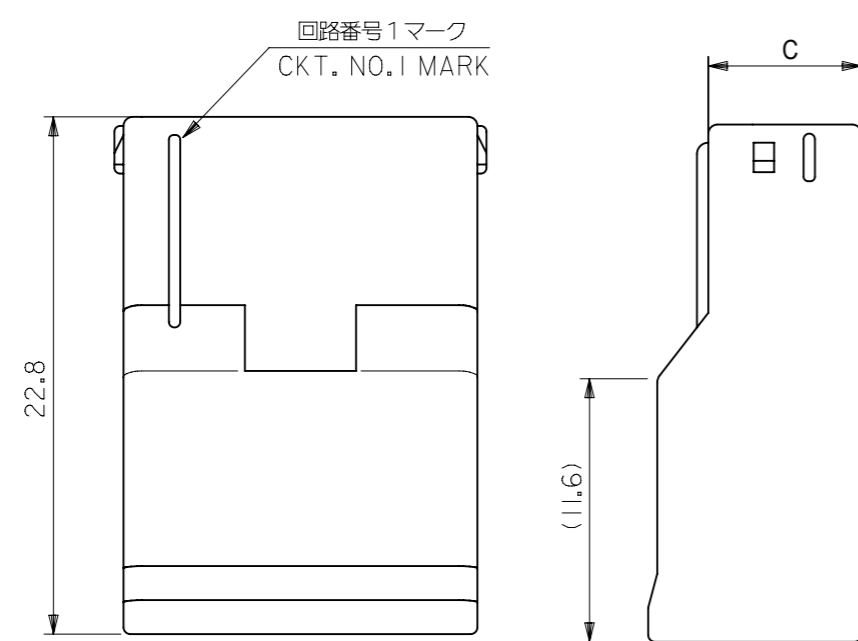
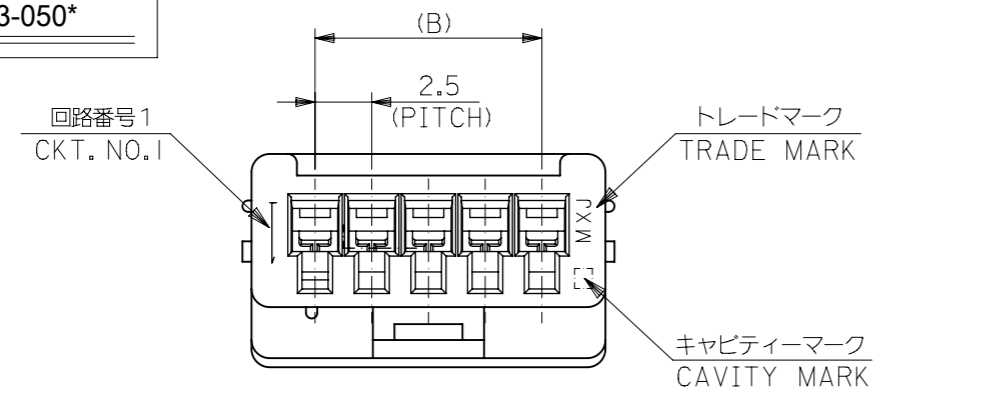
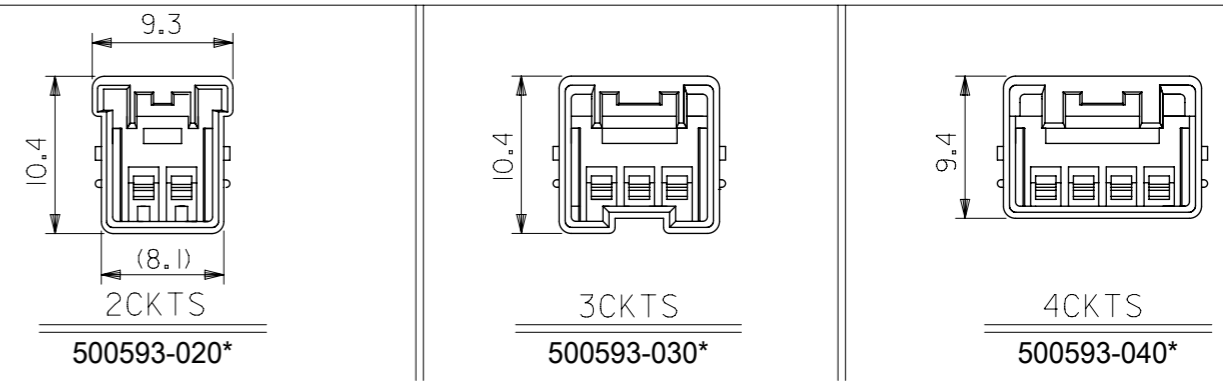


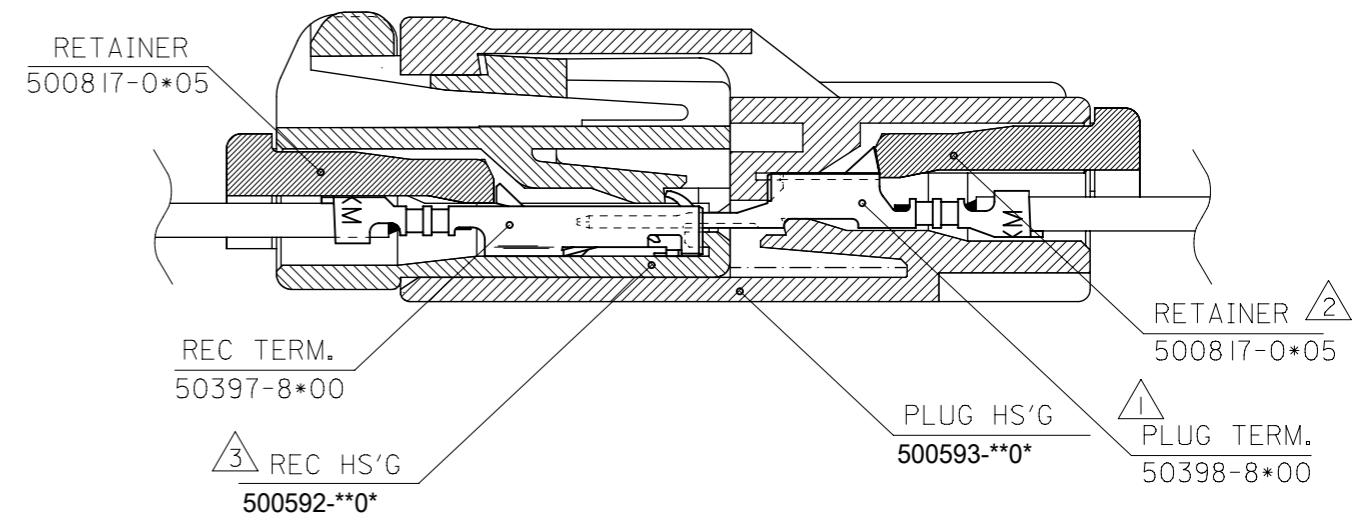
SHAPE OF  
500593-050\*



4極以下の極数レイアウト図  
LAYOUT OF 2/3/4CKTS.



ターミナル装着状態図  
TERMINAL ASSEMBLY DRAWING



注記  
NOTES

- ① 適合ターミナル : 50398シリーズ  
APPLICABLE TERMINAL : 50398 SERIES
- ② 適合リテーナー : 500817シリーズ  
APPLICABLE RETAINER : 500817 SERIES
- ③ 嵌合相手 : 500592シリーズ  
MATE WITH : 500592 SERIES
- 4. 材質 : PBT (UL94V-0)  
MATERIAL : PBT(UL94V-0)

5. MATERIAL NO.は以下の内容を示す。  
MATERIAL NO. : 500593-\*\*0\*

極数 CKT	色 COLOR
0	自然色 NATURAL
1	黒 BLACK
2	赤 RED
3	黄色 YELLOW
4	青 BLUE
6	緑 GREEN

FUNCTIONAL SYMBOLS		THIS DRAWING CONTAINS INFORMATION THAT IS PROPRIETARY TO MOLEX ELECTRONIC TECHNOLOGIES, LLC AND SHOULD NOT BE USED WITHOUT WRITTEN PERMISSION		500593-**0*		MODEL NO.	
▽A = 0	MM	SCALE	1:1				
▽E = 0	GENERAL TOLERANCES (UNLESS SPECIFIED)						
▽P = 0	ANGULAR TOL ± 3.0°			2.5MM WIRE TO WIRE CONN. PLUG HOUSING			
DIVISIONAL SYMBOLS		4 PLACES ± 0.2					
		3 PLACES ± 0.25		PRODUCT CUSTOMER DRAWING			
		2 PLACES ± 0.3					
		1 PLACE ±		DOCUMENT NUMBER   DOC TYPE   DOC PART   REVISION			
		0 PLACES ±					
		DRAFT WHERE APPLICABLE MUST REMAIN WITHIN DIMENSIONS		THIRD ANGLE PROJECTION		DRAWING   SERIES   MATERIAL NUMBER   CUSTOMER   SHEET NUMBER	
				A3-SIZE		500593   SEE CHART   GENERAL MARKET   1 OF 2	
				EC NO: 726454		2022/10/20	
				DRWN: LIKITV		2022/11/30	
				CHK'D: GGA		2022/11/30	
				APPR: GGA		2022/11/30	
				INITIAL REVISION:			
				DRWN: U.MUMEDA		2005/04/07	
				APPR: KASAKAWA		2015/04/27	



500592-080*	500817-0805	6.75	17.5	23.1	8	— // —	— // —	— // —	500593-0800	500593-**0*
↙ -070*	↙ -0705	↙	15	20.6	7	— // —	— // —	— // —	↙ -0700	
↙ -060*	↙ -0605	↙	12.5	18.1	6	— // —	— // —	— // —	↙ -0600	
↙ -050*	↙ -0505		10	15.6	5	— // —	— // —	— // —	↙ -0500	
↙ -040*	↙ -0405	6.75	7.5	13.1	4	— // —	— // —	— // —	↙ -0400	
↙ -030*	↙ -0305	7.75	5	10.6	3	500593-0304	— // —	500593-0301	↙ -0300	
500592-020*	500817-0205	7.75	2.5	8.1	2	500593-0204	500593-0202	500593-0201	500593-0200	MODEL NO.
MATE WITH	CONFORTABLE-RETAINER	C	B	A	CKT.	BLUE	RED	BLACK	NATURAL	

THIS DRAWING CONTAINS INFORMATION THAT IS PROPRIETARY TO MOLEX ELECTRONIC TECHNOLOGIES, LLC AND SHOULD NOT BE USED WITHOUT WRITTEN PERMISSION									
FUNCTIONAL SYMBOLS	DIMENSION UNITS	SCALE	CURRENT REV DESC: OBSOLETE PART NUMBERS AS PER PCN#510807						
▽/A = 0	MM	3:1	<b>molex</b> 2.5MM WIRE TO WIRE CONN. PLUG HOUSING PRODUCT CUSTOMER DRAWING						
▽/E = 0	GENERAL TOLERANCES (UNLESS SPECIFIED)								
▽/V = 0	ANGULAR TOL ± 3.0 °								
DIVISIONAL SYMBOLS	4 PLACES	± 0.2	EC NO: 726454	2022/10/20	DOCUMENT NUMBER: SD-500593-001 DOC TYPE: PSD DOC PART: 001 REVISION: C1				
	3 PLACES	± 0.25	DRWN: LIKITV	2022/11/30					
	2 PLACES	± 0.3	CHK'D: GGA	2022/11/30					
	1 PLACE	±	APPR: GGA	2022/11/30	INITIAL REVISION:		2005/04/07 2015/04/27		
	0 PLACES	±	DRWN: U.MUMEDA	2005/04/07	DRWN: U.MUMEDA				
	DRAFT WHERE APPLICABLE MUST REMAIN WITHIN DIMENSIONS		THIRD ANGLE PROJECTION		DRAWING	SERIES	MATERIAL NUMBER	CUSTOMER	SHEET NUMBER
					A3-SIZE	500593	SEE CHART	GENERAL MARKET	2 OF 2

DOCUMENT STATUS	P1	RELEASE DATE	2022/11/30	11:33:22
-----------------	----	--------------	------------	----------