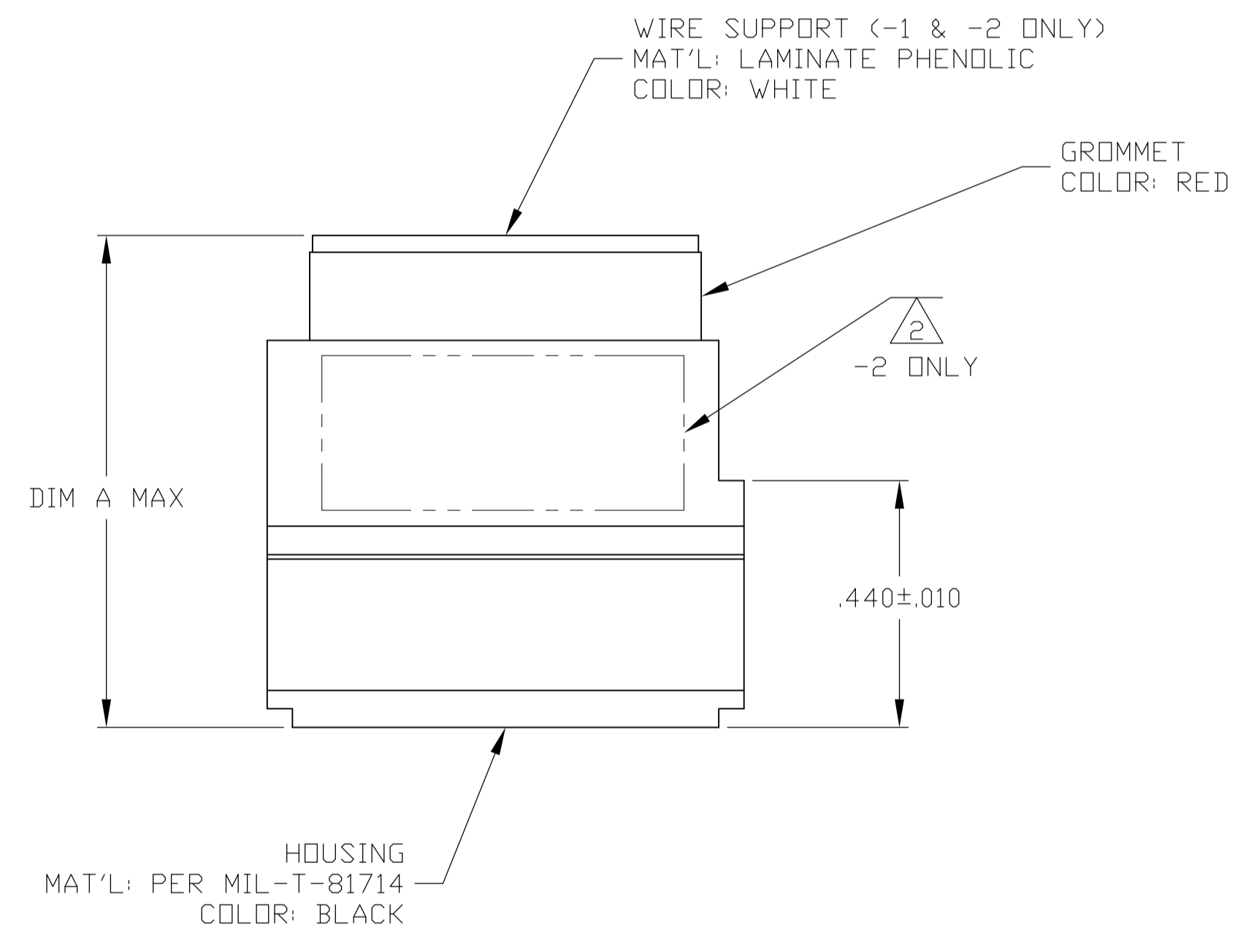
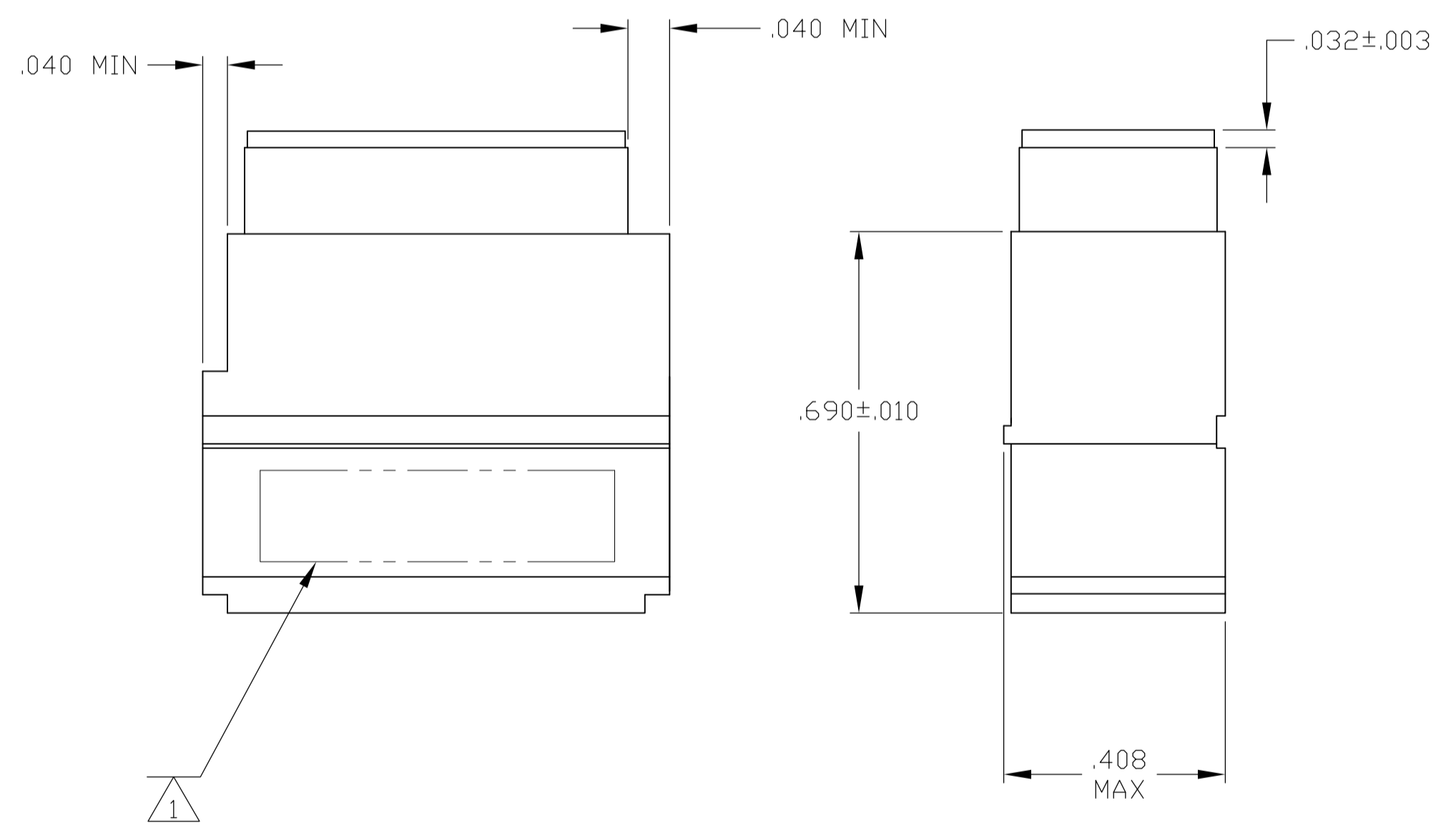
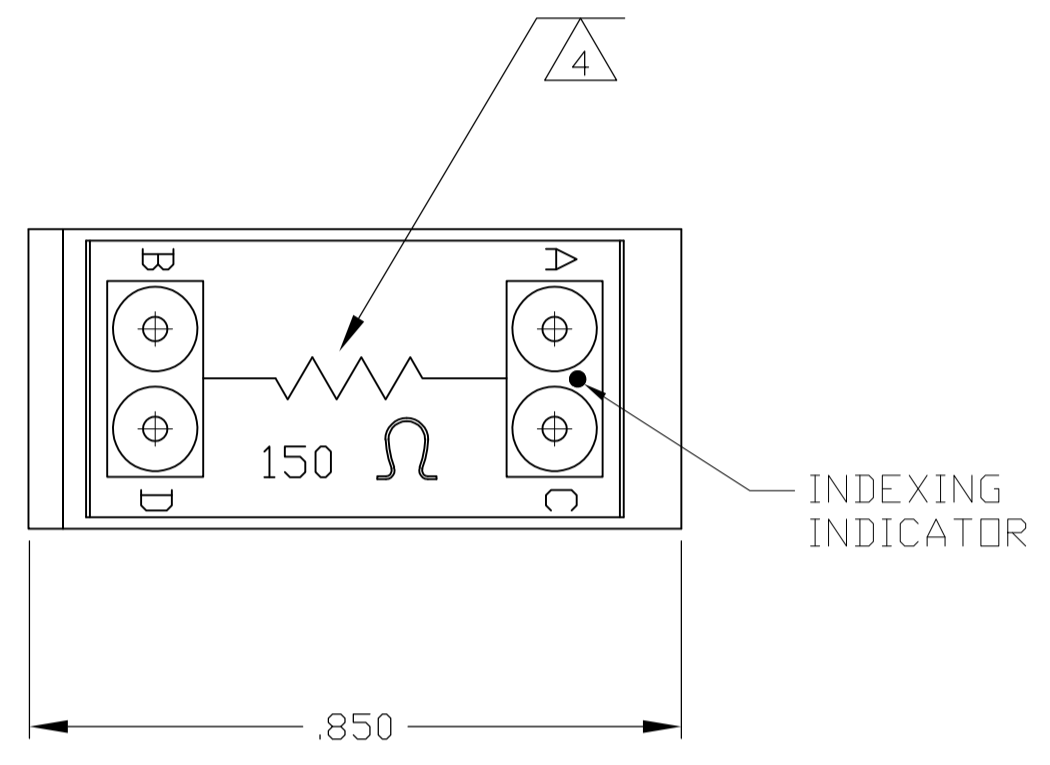


DESCRIPTION	MATERIAL	FINISH
MODULE ASSEMBLY	THERMOSET EPOXY	COLOR: BLACK
GROMMET	FLUORSILICONE RUBBER PER MIL-T-81714, CLASS B	COLOR: RED
CONTACT SOCKET	BERYLLIUM COPPER ASTM-B-194	GOLD PLATE PER ASTM-B-488
RETAINING CLIP	BERYLLIUM COPPER ASTM-B-194 OR STAINLESS STEEL PER QQ-S-766	NONE
RESISTOR (QTY=1)	RLR20C1500GS 150 Ω	NONE

REVISIONS				
REV	LYR	DESCRIPTION	DATE	BY
B		REV PER ECD 16-015310	11-22-16	CT HA

- 1 MODULE ASSEMBLY MARKED WITH GAGE CODE "00779", "AMP", AMP PART NO. AND DATE CODE .060 MINIMUM CHARACTERS
- 2 CUSTOMER PART NO. (SEE TABLE) MARKED IN AREA SHOWN. -2 ONLY.
- 3 FOUR PIN CONTACTS (M39029/1-101) ARE PACKAGED SEPARATELY WITH CONNECTOR.
- 4 MARKING FOR WIRE SUPPORT IS IN CONTRASTING COLORS.



DIM A	CUSTOMER PART NO.	PART NO.
.847	--	591829-3
.885	110-121-1	591829-2
.885	--	591829-1

THIS DRAWING IS A CONTROLLED DOCUMENT.

DW	C. C. THOMAS	01 BEC03
CHK	D. EBY	12-2-03
APP'D	D. EBY	12-2-03

NAME: REMOVABLE MODULE BLOCK WITH RESISTOR, SIZE 20, TJ

SIZE: A1 GAGE CODE: 00779 DRAWING NO: 591829

WEIGHT: 0.000000

CUSTOMER DRAWING

SCALE: 4:1 SHEET 1 OF 1 REV B