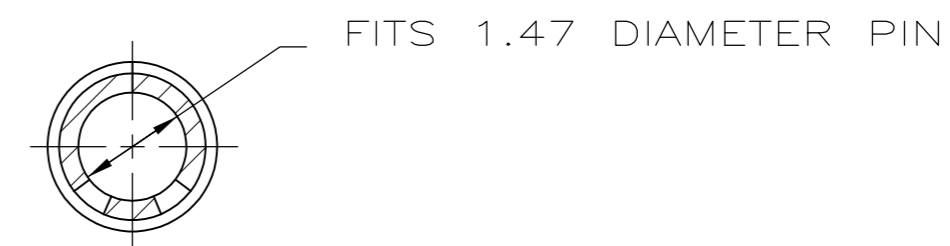
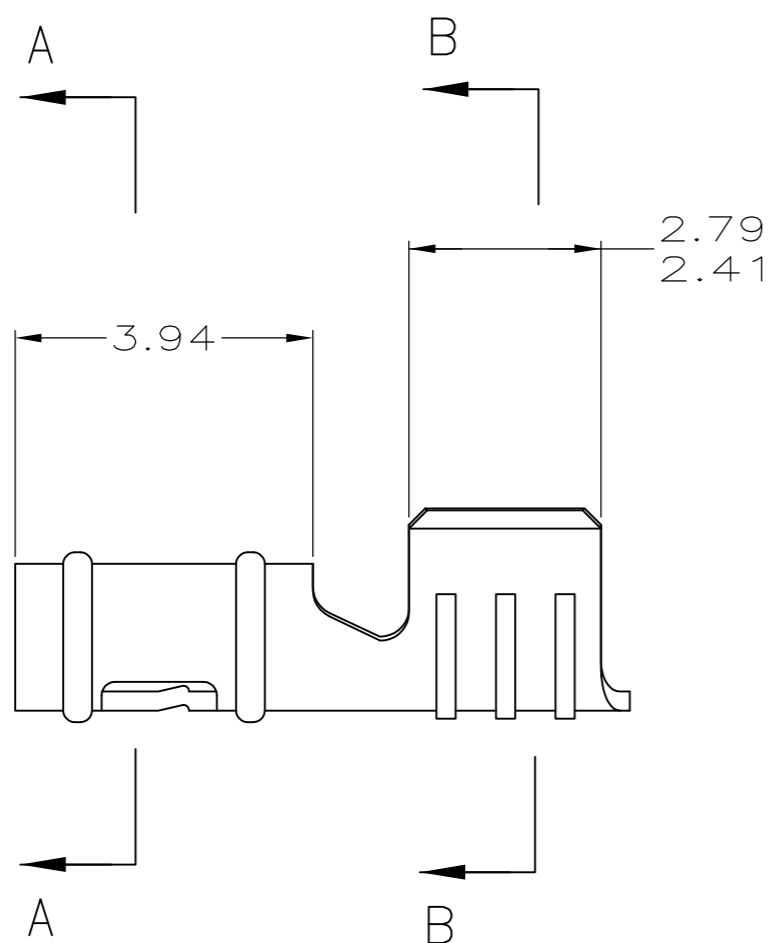
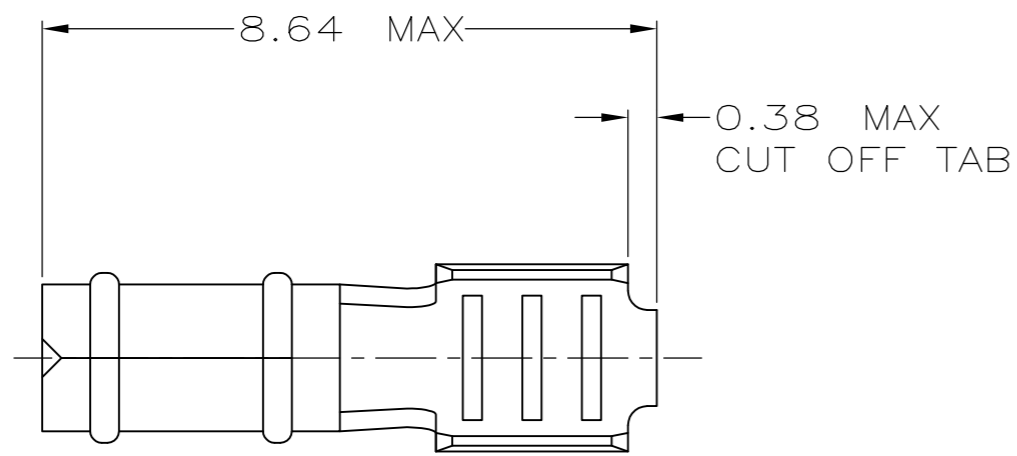


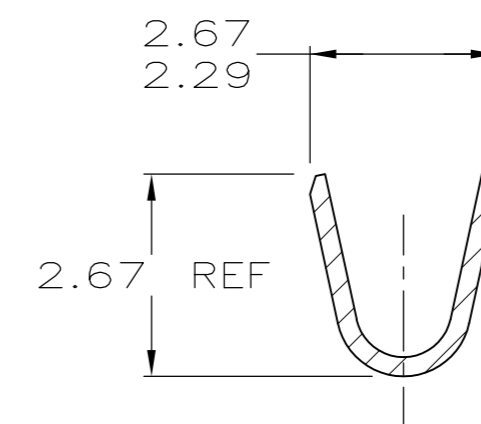
THIS DRAWING IS UNPUBLISHED. RELEASED FOR PUBLICATION  
 © COPYRIGHT - By - ALL RIGHTS RESERVED.

LOC	DIST	REVISIONS					
CM	0	P	LTR	DESCRIPTION	DATE	DWN	APVD
		E1		REVISED PER ECO-15-016302	14NOV2015	NK	DR

- 1 TIN PLATING OVER ALL.
- 2 WIRE RANGE: 0.3 - 1 MM<sup>2</sup> (22-17 AWG)



SECTION A-A



SECTION B-B

MM	IN	MM	IN	MM	IN
0.38	.015	2.67	.105	-	-
0.25	.010	2.41	.095	8.64	.340
0.13	.005	2.29	.090	3.94	.155
0.00203	.000080	1.47	.058	2.79	.110

CONVERSION TABLE

THIS DRAWING IS A CONTROLLED DOCUMENT.		DWN T. BECK 6-10-97	FINISH 1		0.25 BE CU MATERIAL	640024-1 PART NUMBER	
DIMENSIONS: mm		CHK R. SWING 6-10-97	APVD A. BEDDICK 6-17-97		TE Connectivity		
TOLERANCES UNLESS OTHERWISE SPECIFIED:		PRODUCT SPEC 108-1025		RECEPTACLE, .058 DIAMETER, 22-17 AWG, LOOSE PIECE, P.C. CONTACT			
0 PLC ± -		APPLICATION SPEC 114-1008		SIZE A2	CAGE CODE 00779	DRAWING NO 640024	RESTRICTED TO -
1 PLC ± -		WEIGHT -		SCALE 10:1		SHEET 1 of 1	REV E1
2 PLC ± 0.13		CUSTOMER DRAWING					
3 PLC ± -							
4 PLC ± -							
ANGLES ± -							
FINISH SEE TABLE							