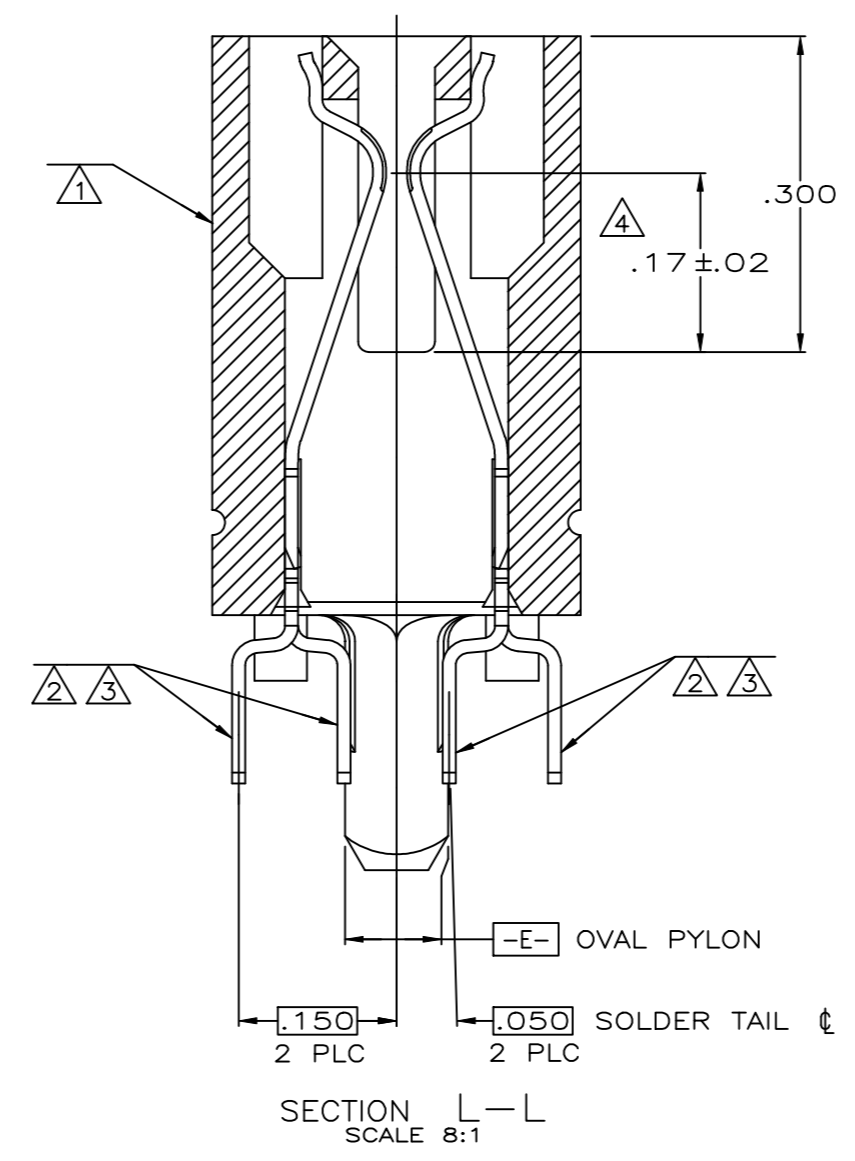
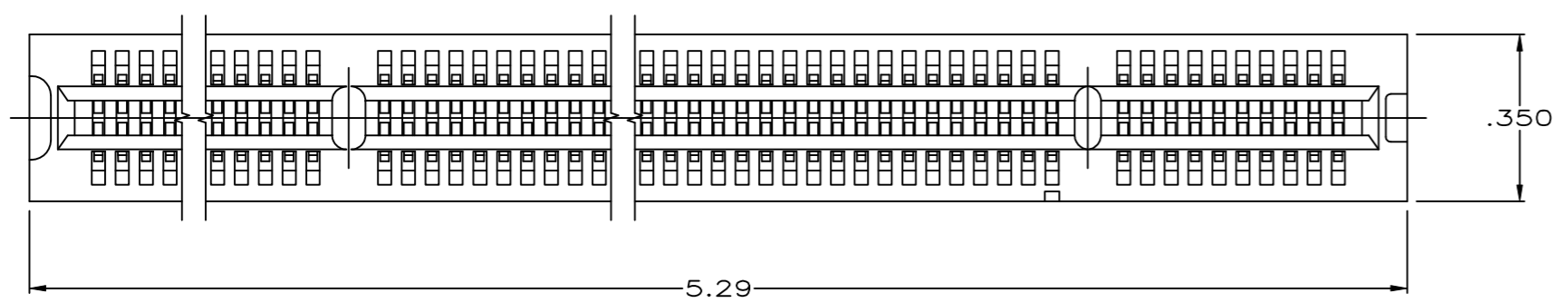
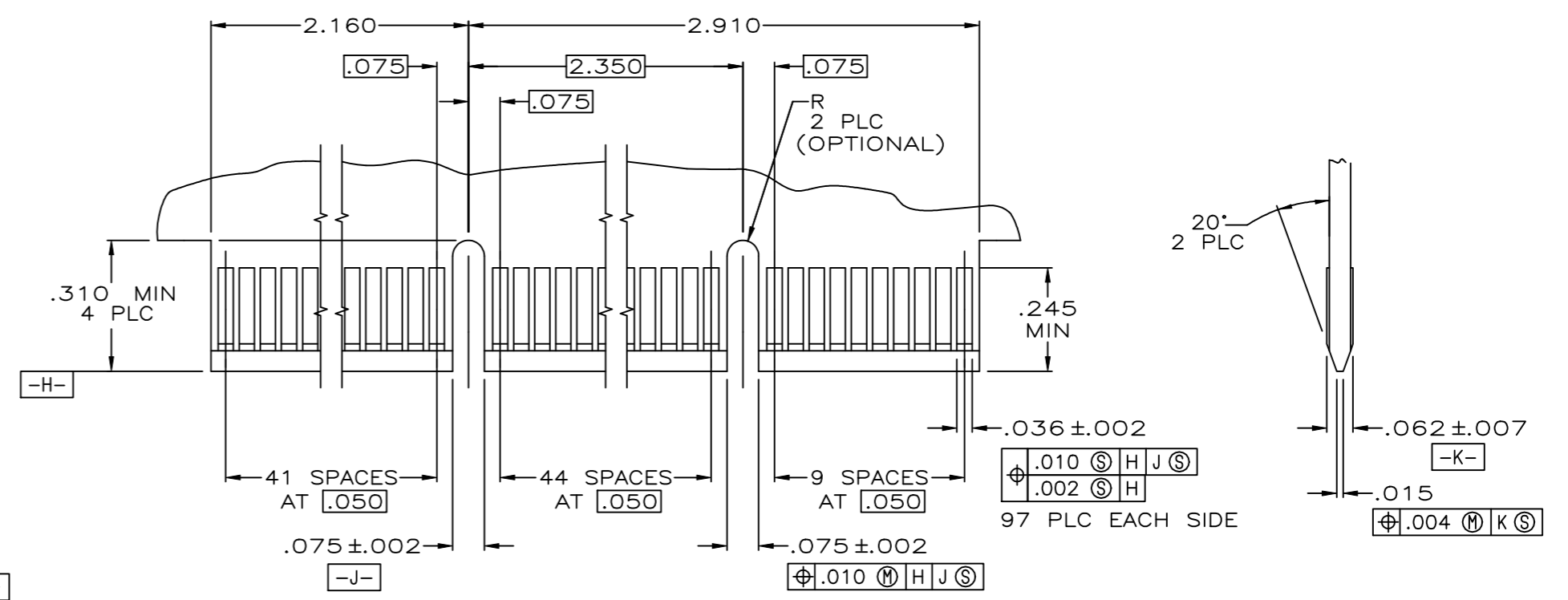
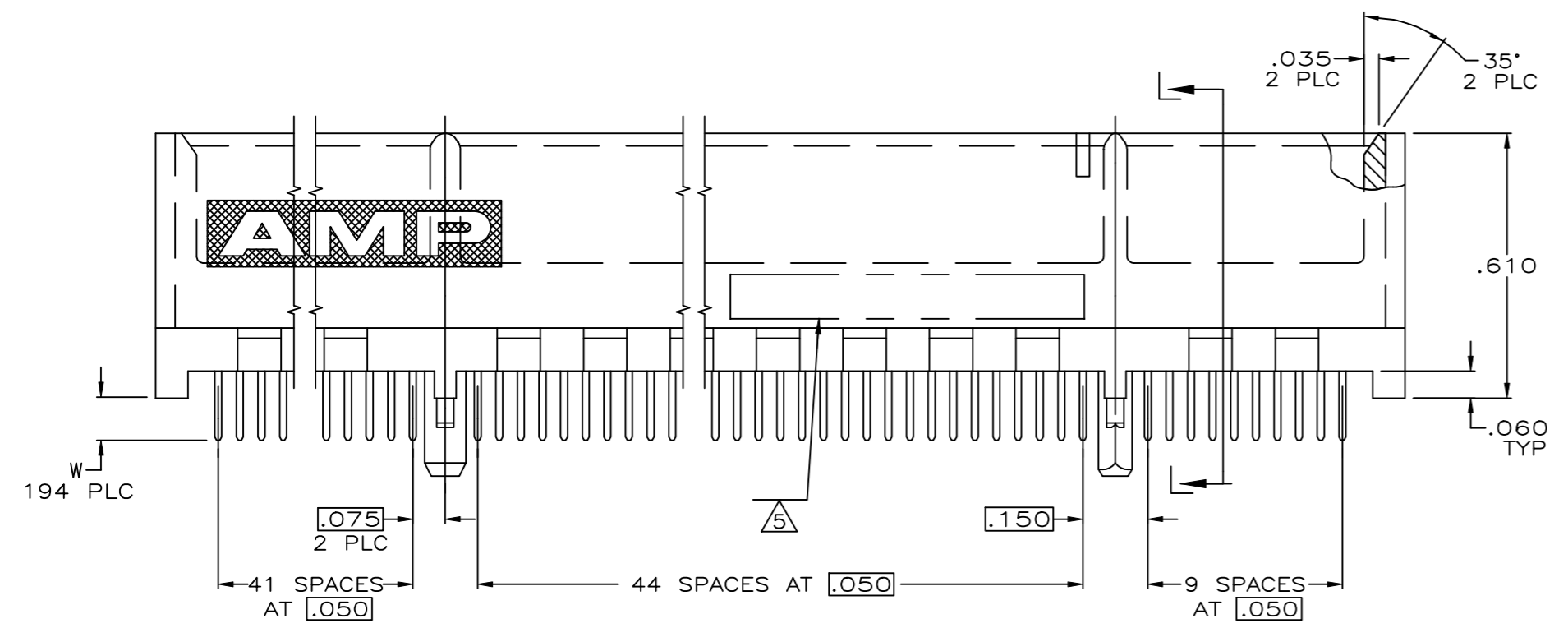


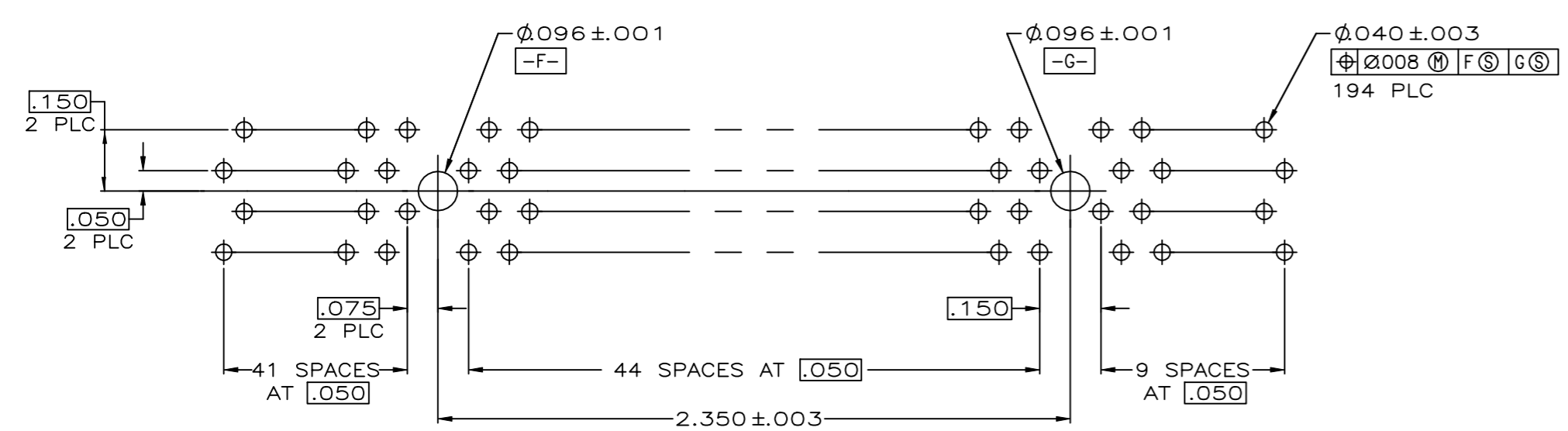
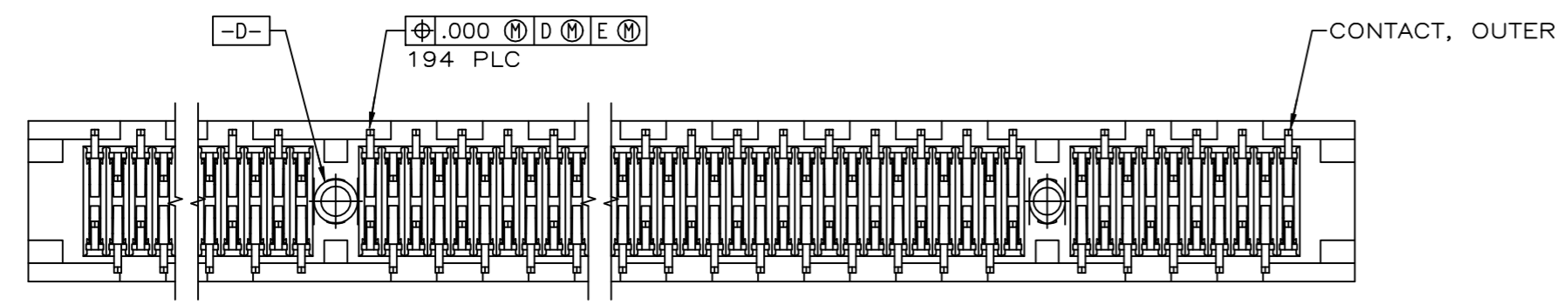
REVISIONS				
P	LTR	DESCRIPTION	DATE	OWN APVD
H		ECO-18-017215	03DEC2018	FL HL



- ① HOUSING: HIGH TEMPERATURE THERMOPLASTIC. COLOR: BROWN.
- ② CONTACT: PHOSPHOR BRONZE.
- ③ CONTACT FINISH: .000100 MIN NICKEL ALL OVER. .000030 MIN GOLD OVER NICKEL IN CONTACT AREA. .000100 MIN TIN-LEAD OVER NICKEL ON SOLDER TAILS.
- ④ DISTANCE FROM CONTACT POINT TO BOTTOM OF CARD SLOT.
- ⑤ AMP PART NUMBER, DATE CODE AND CSA LOGO MARKED IN APPROXIMATE AREA SHOWN.



RECOMMENDED MATING BOARD EDGE CONFIGURATION



RECOMMENDED CONNECTOR MOUNTING HOLE PATTERN (CONNECTOR SIDE SHOWN)

OBSOLETE	.125	650706-3
	.14	650706-2
OBSOLETE	.10	650706-1
	W	PART NUMBER

THIS DRAWING IS A CONTROLLED DOCUMENT.		OWN: K.L.CLOUSER/UTA 01/24/91	TE Connectivity	
DIMENSIONS: mm		CHK: M.BOWERS	CONNECTOR ASSEMBLY, 97 DUAL POSITION, .050 SERIES, STANDARD EDGE	
TOLERANCES UNLESS OTHERWISE SPECIFIED:		APVD: -	NAME: -	
0 PLC ± -	1 PLC ± .01	PRODUCT SPEC: 108-14034		
2 PLC ± .01	3 PLC ± .005	APPLICATION SPEC: 114-26012		
4 PLC ± .002	ANGLES ± °	SIZE: A1	CAGE CODE: 00779	DRAWING NO: 650706
MATERIAL: ① ②	FINISH: ③	WEIGHT: 0.000000	SCALE: 4:1	SHEET 1 OF 1
CUSTOMER DRAWING		REV H		