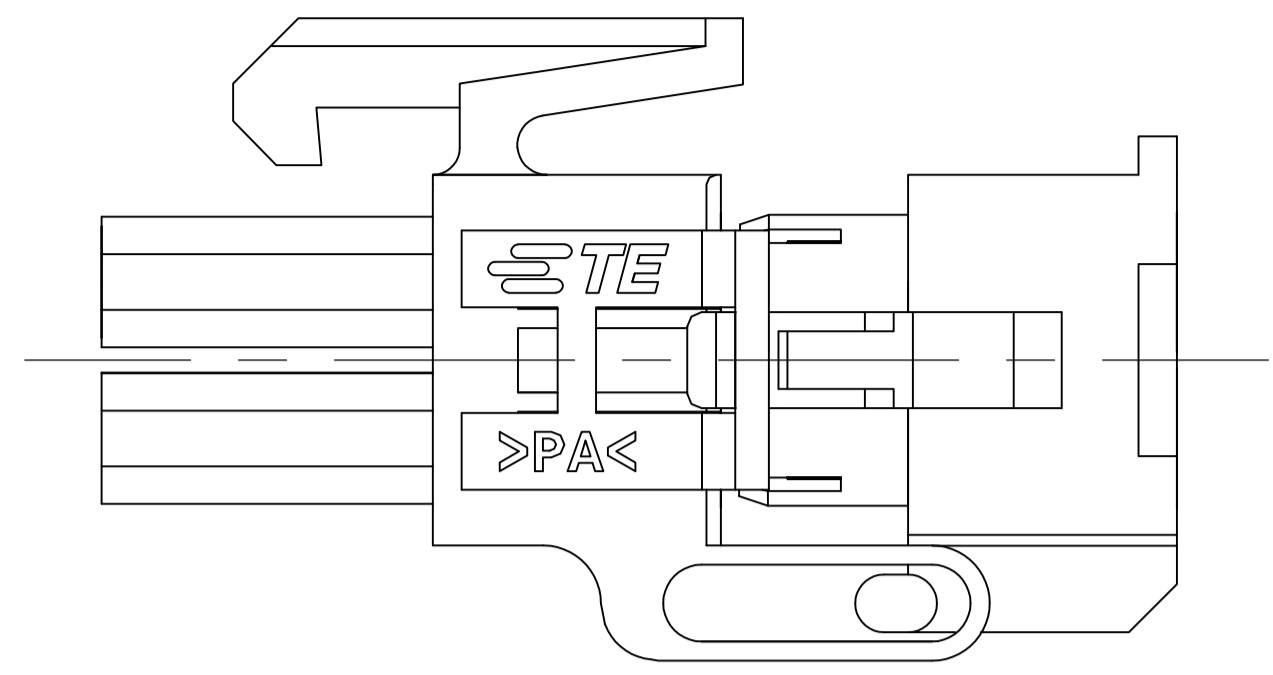
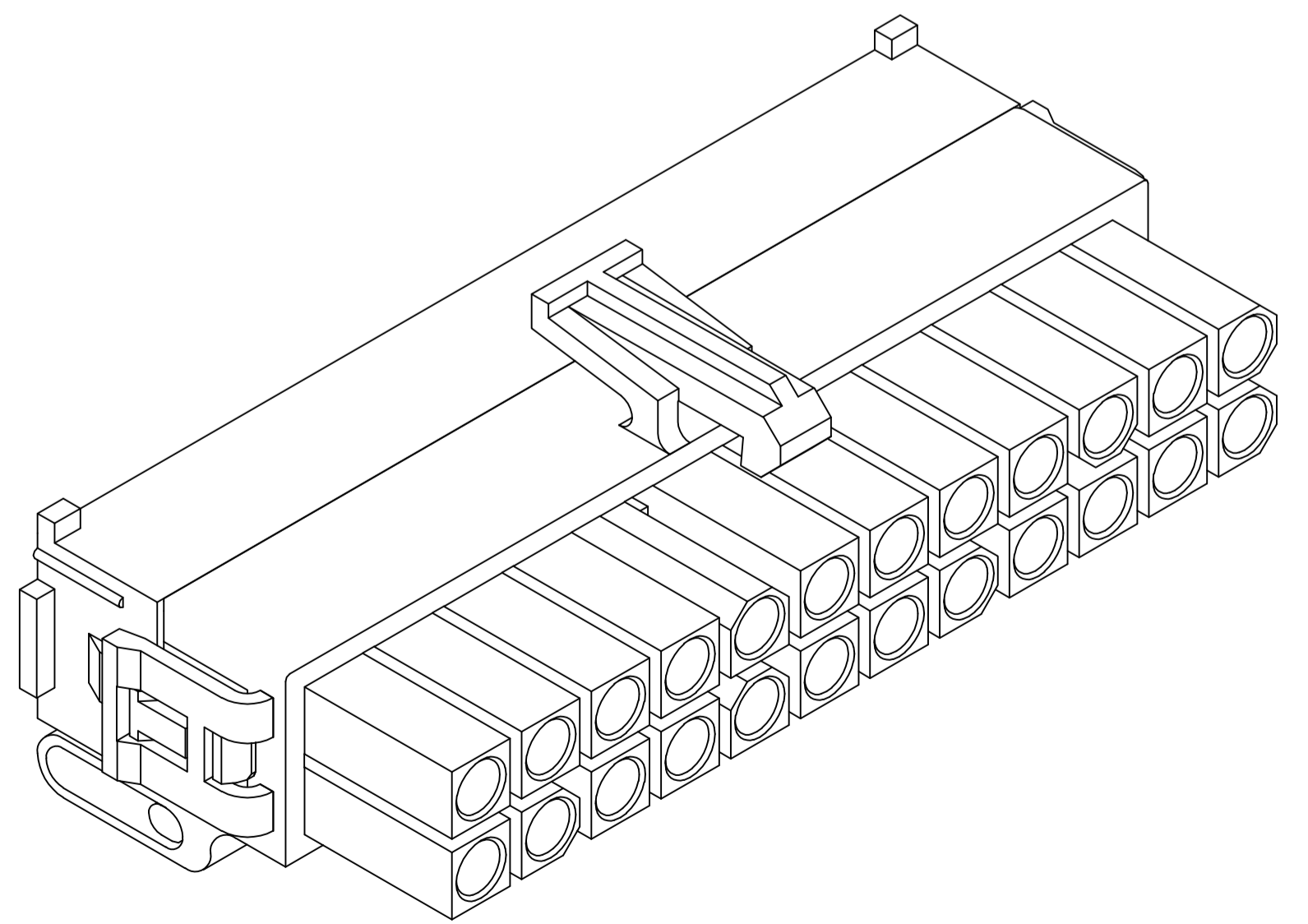
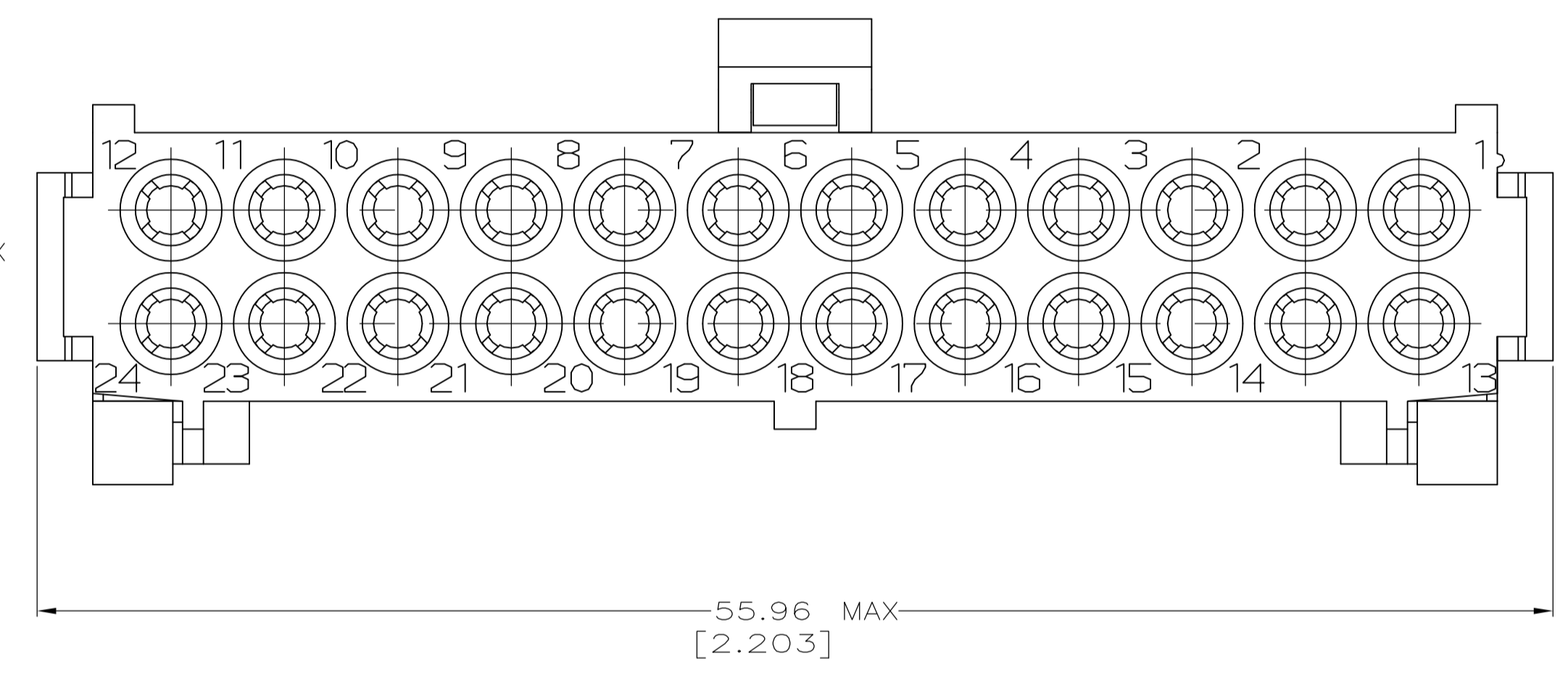
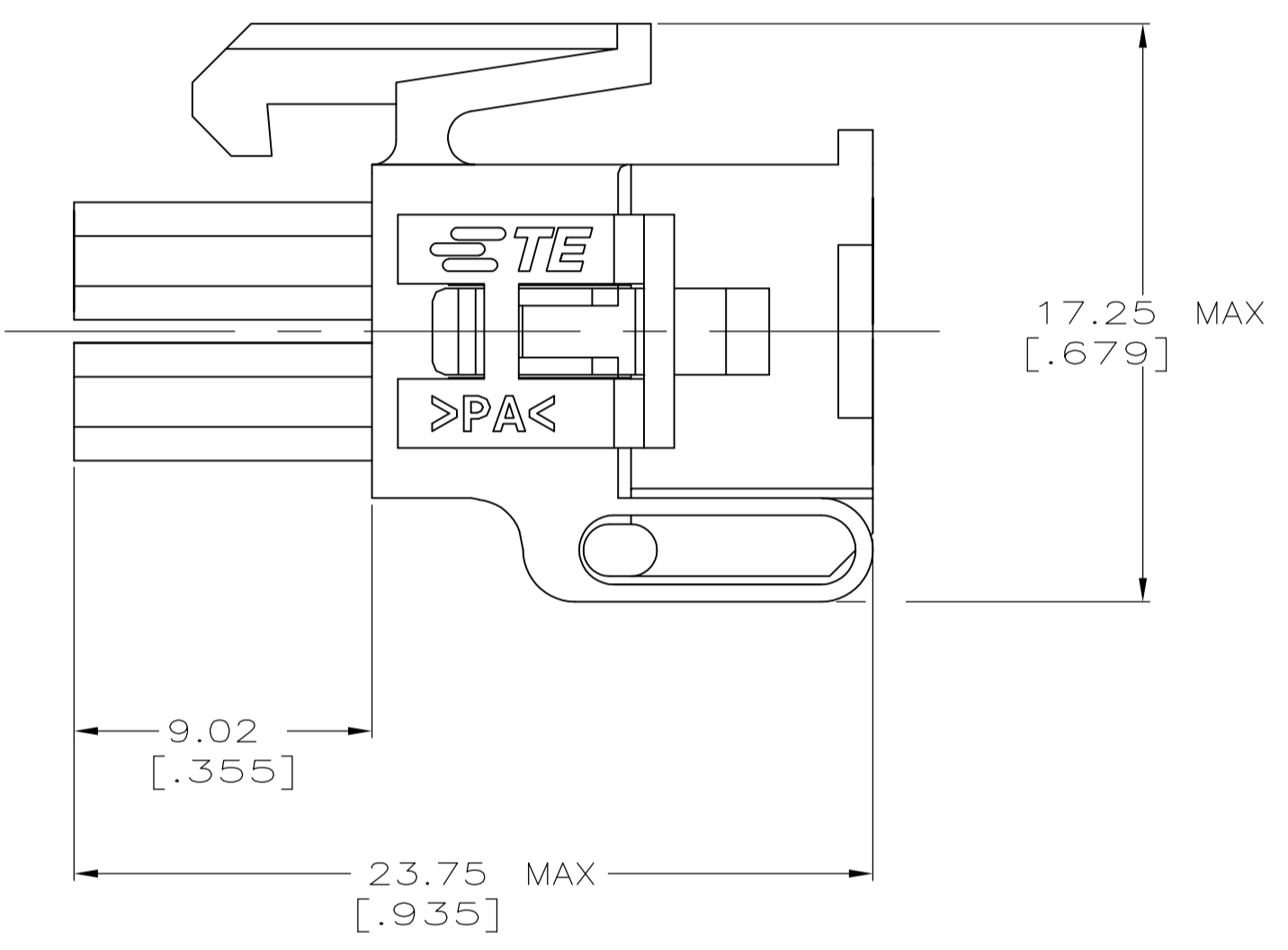
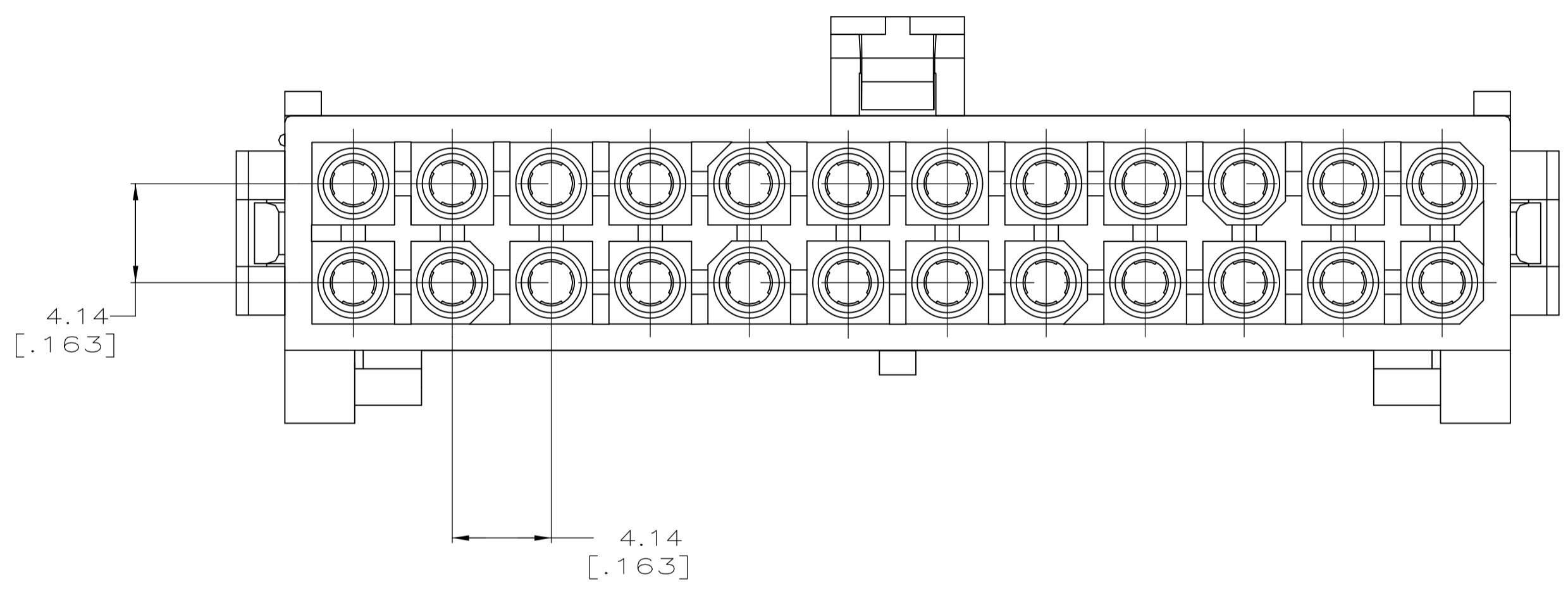


LOC		DIST		REVISIONS			
P	LTR	DESCRIPTION	DATE	DNW	APVD		
CM	53						
C2		REVISED PER ECR 15-003326	06MAR15	SC	KD		

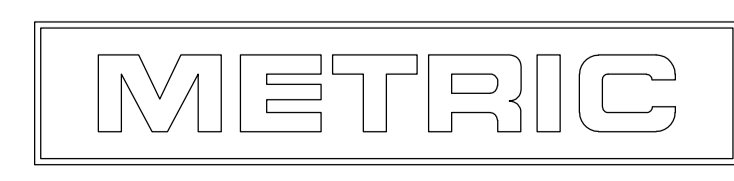
1 DIMENSIONS IN BRACKETS ARE IN INCHES.



PRE-STAGED CONDITION



3-DIMENSIONAL MODEL NTS



794267-1
PART NUMBER

THIS DRAWING IS A CONTROLLED DOCUMENT.		DIN K. WHITAKER 5-20-97	TE Connectivity
DIMENSIONS: mm [INCHES]		CHK R. SWING 5-20-97	
TOLERANCES UNLESS OTHERWISE SPECIFIED:		APP'D R. ORSTAD 5-20-97	NAME
0. PLC ± -			PLUG, 24 CIRCUIT, MINI UNIVERSAL MATE-N-LOK
1. PLC ± -			PRODUCT SPEC
2. PLC ± -			APPLICATION SPEC
3. PLC ± 0.13 [.005]			SIZE
4. PLC ± -			WEIGHT
ANGLES ± -			SCALE
MATERIAL NYLON, FINISH -			SHEET
			REV
			CUSTOMER DRAWING