



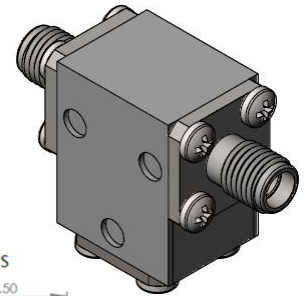
## Part Number: D315771

### Electrical Specifications

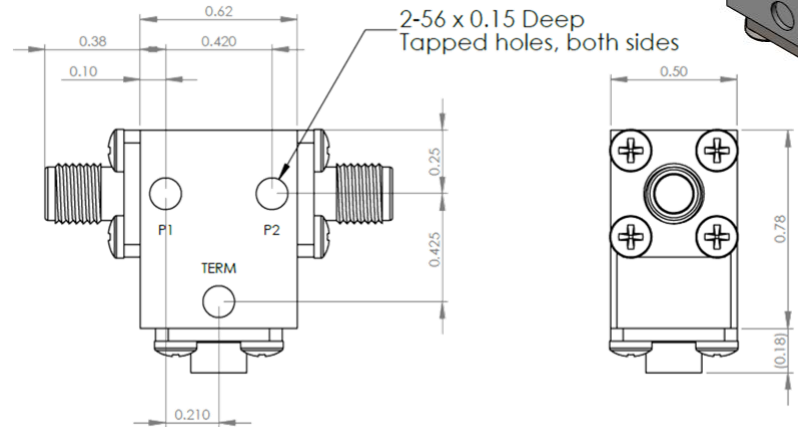
Frequency Range (GHz):	5.7 - 7.1
Isolation (dB):	18 MIN
Insertion Loss (dB):	0.5 MAX
VSWR:	1.3:1 MIN
Forward Power (W):	20 AVG 30 PK
Reflective Power (W):	2 AVG

### Mechanical/Environmental Specifications

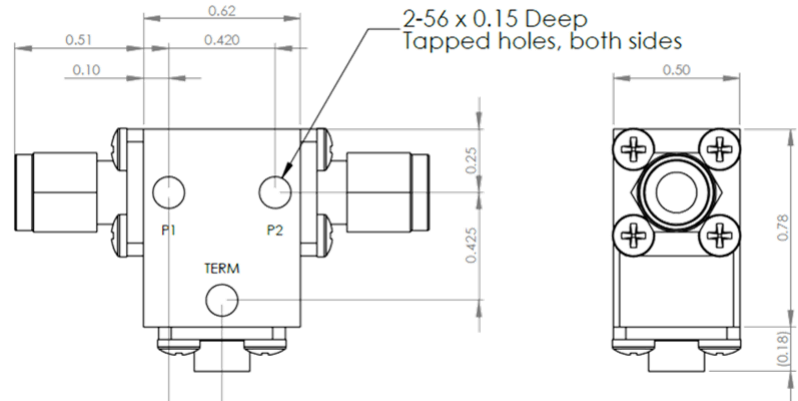
Connector Type:	SMA
Connector Body:	Passivated stainless steel
Connector Pin:	Gold plated copper
Load Body:	Brass
Magnetic Shunt:	Nickel plated CRS
Operational Temp:	-30°C to +65°C
Weight (oz)	1.0 MAX



### D315771 Dimensions



### D315771-3 Dimensions



Dimensions are in inches  
Tolerance

XX ±0.03  
XXX ±0.010

Type of Device	PN Suffix	Connector Configuration Input / Output	PN Example
Single and Dual Junction Isolator, 2-Port Device Input / Output	N/A	Female / Female	D315771
	-1	Male / Female	D315771-1
	-2	Female / Male	D315771-2
	-3	Male / Male	D315771-3



# MEASURED DATA

Part Number: D315771, +25°C

