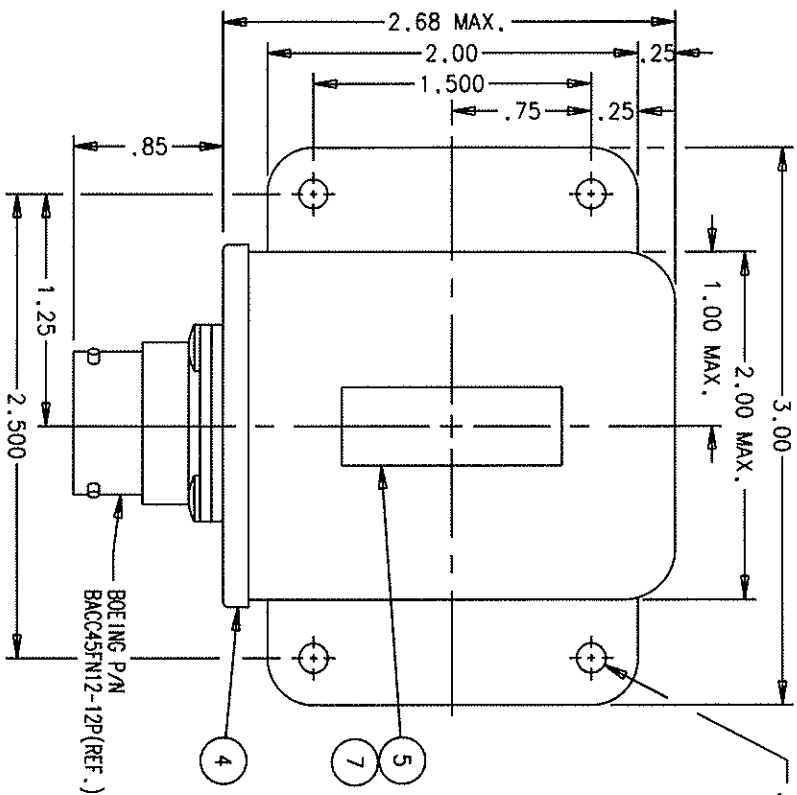


FAA-PMA

E-311P

REVOLUTIONS		RELEASED	DATE	APPROVED
SM	DESCRIPTION			
K 24150	ITEM 1 WAS 16043-001		93/06/28	WS
L 25019	UPDATED SPECIFICATIONS		93/11/03	WS
M 35449	NOTE ADDED		98/05/04	RS
N 39523	BOEING P/N* ADDED TO CONN., 3 AXES** ADDED TO 2 PLC TOL. FIND NO 7 ADDED		99/05/24	RS

3.00
2.00 MAX.
1.00 MAX.
1.56 ± .010 DIA. HOLE, 4 MTG. HOLES

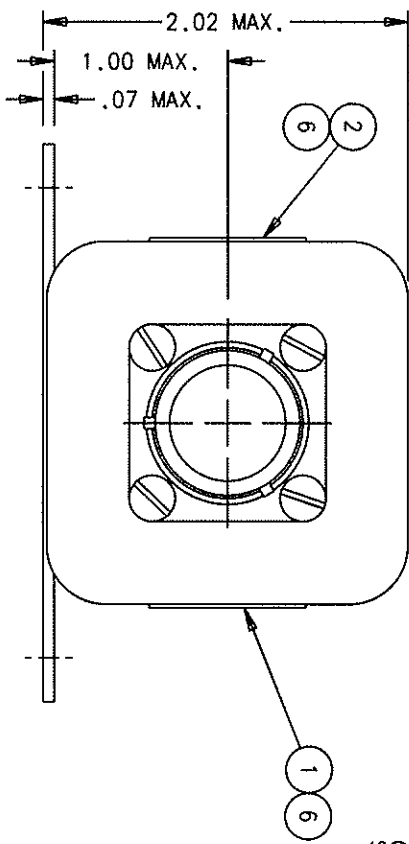
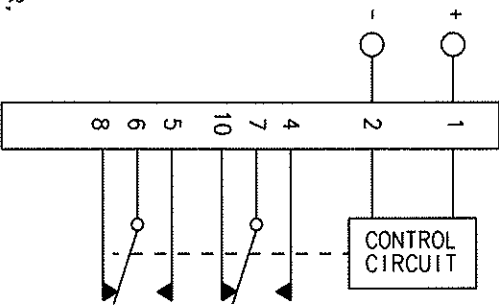


ELECTRICAL
CONTACT FORM
CONTACT RATING
(AMPS/POLE AT 28 VDC)
CONTACT LIFE
CONTACT BOUNCE
DUTY CYCLE
NOM. OPERATING VOLTAGE
MAX. OPERATING VOLTAGE
PICK - UP VOLTAGE
PICK - UP TIME
DROP - OUT VOLTAGE
DROP - OUT TIME DELAY

2PDT
RESISTIVE INDUCTIVE MOTOR LAMP
10
100 000 OPERATIONS MINIMUM, AT RATED
RESISTIVE LOAD
3 MILLISECONDS MAXIMUM
CONTINUOUS
28 VDC
36 VDC
24.5 ± 0.5 VDC
125 MILLISECONDS MAXIMUM
21.5 ± 0.5 VDC
200-400 MILLISECONDS WHEN THE RELAY IS
IN THE ENERGIZED POSITION AND THE
VOLTAGE DROPS BELOW 21.5 ± 0.5 VDC AND
ABOVE 15 VDC, THE RELAY WILL REMAIN
ENERGIZED FOR 200 TO 400 MILLISECONDS
BEFORE DE-ENERGIZING WHEN THE VOLTAGE
DROPS BELOW 15 VDC NO TIME DELAY IS
REQUIRED.
PER MIL-STD-704A
150 MAX. MILLIAMPS AT 25°C
1000 VRMS, 60 HZ. 1 MIL/AMP MAX. LEAKAGE
1000 MECOHMS, MINIMUM AT 500 VDC

INPUT VOLTAGE TRANSIENTS
OPERATING CURRENT
DIELECTRIC WITHSTANDING
VOLTAGE
INSULATION RESISTANCE
ENVIRONMENTAL
AMBIENT TEMPERATURE
VIBRATION
SHOCK
ACCELERATION
ALTITUDE
MECHANICAL
WEIGHT
CONSTRUCTION
SEAL

-55°C TO +65°C (OPERATING)
-55°C TO +125°C (NON-OPERATING)
060° DA 5 TO 80 HZ, 20 G'S 80 TO 2000 HZ.
30 G'S, 11 MILLISECONDS, 1/2 SINE, 3 AXIS
20 G'S IN ANY AXIS
0 TO 80,000 FEET
10 MAX. QUINCES
ALUMINUM METAL CAN, MOUNTING FLANGES AND COVER,
SENSOR POTTED, BLACK LAQUER PAINT
SOLDER SEALED COVER, HERMETIC SEALED
CONTACTS



NOTE:
FAA/PMA PLATE (AND OVERLAY) NOT REQUIRED ON UNITS
SUPPLIED TO ORIGINAL EQUIPMENT MANUFACTURERS.

ITEM NO	QTY	PART OR IDENTIFYING NO	NOMENCLATURE OR DESCRIPTION	FSK NO	DRAWING OR SPECIFICATION	MATERIAL OR NOTE
7	1	39529-024	OVERLAY - FAA/PMA			
6	2	39529-001	OVERLAY - NAME PLATE			
5	1	58400-050	PLATE - FAA/PMA			
4	1	36309-010	RELAY ASSEMBLY - PRIMARY			
3						
2	1	36277-001	PLATE - WIRING DIAGRAM			
1	1	16043-055	PLATE - NAME			

UNLESS OTHERWISE SPECIFIED
DIMENSIONS ARE IN INCHES
TOLERANCES OR
ANGLES
2 PL DEC, 3 PL DEC, ANGLES
*.06 ± .010 ± 1°
MATERIAL
DR BY PLS 99/05/27
CHK BY RS 98/05/27
ENGR CQ 99/05/27
MFG PLS 99/05/27
RELEASE 99/05/27
CONF NO.
GOVT APVAL

HARTMAN ELECTRICAL MANUFACTURING
MANSFIELD, OHIO
RELAY - UNDERVOLTAGE
WITH TIME DELAY
SIZE CODE IDENT DWG NO.
C 74063
E-311P
SCALE NONE SHEET