

Instruction Manual for Evaluation Board of the TC78H630FNG

March 20, 2018

Rev.1.0

【Outline】

The TC78H630FNG is a brushed DC motor driver corresponding to the direct PWM control system. This product is capable of driving 1 brushed DC motor. The rating of 18V and 1.1A are realized.

This evaluation board mounts necessary components to evaluate the IC. One brushed motor can be controlled by the direct PWM drive.

Please sense controllability of a brushed DC motor by applying the TC78H630FNG.

【Note】

In using, please be careful about the thermal condition sufficiently.

For each control signal, please refer to the IC specifications by accessing to the following URL:

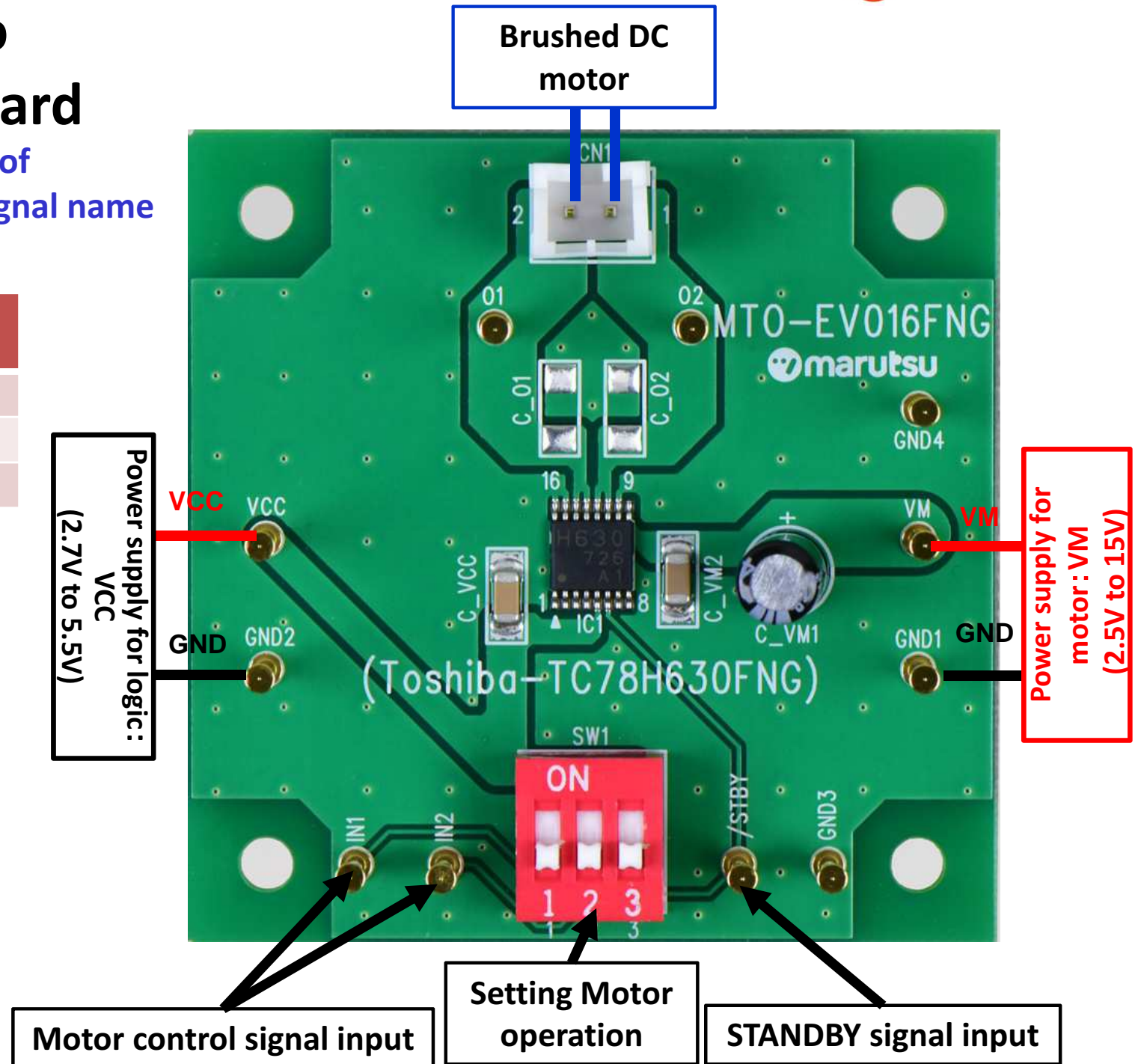
<http://toshiba.semicon-storage.com/ap-en/product/linear/motordriver/detail.TC78H630FNG.html>

Further, the application of this evaluation board is limited to the purpose of evaluating and learning the motor control. Please do not ship them to a market.

Connection to Evaluation Board

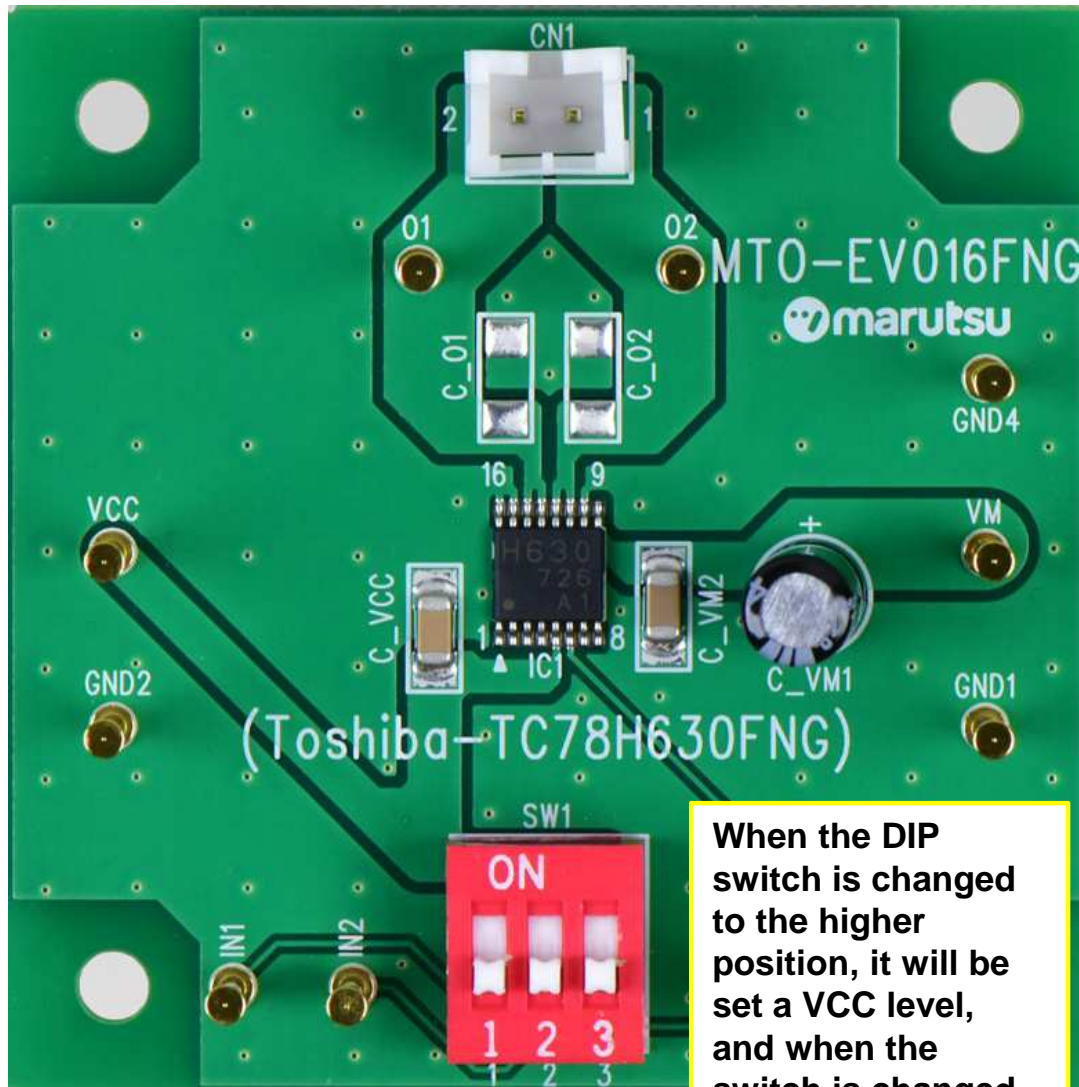
Correspondence table of DIP SW number and signal name

信号名	DIP SW番号
IN1A	1
IN2A	2
/STB	3



Setting Evaluation Board

Setting Motor Operation



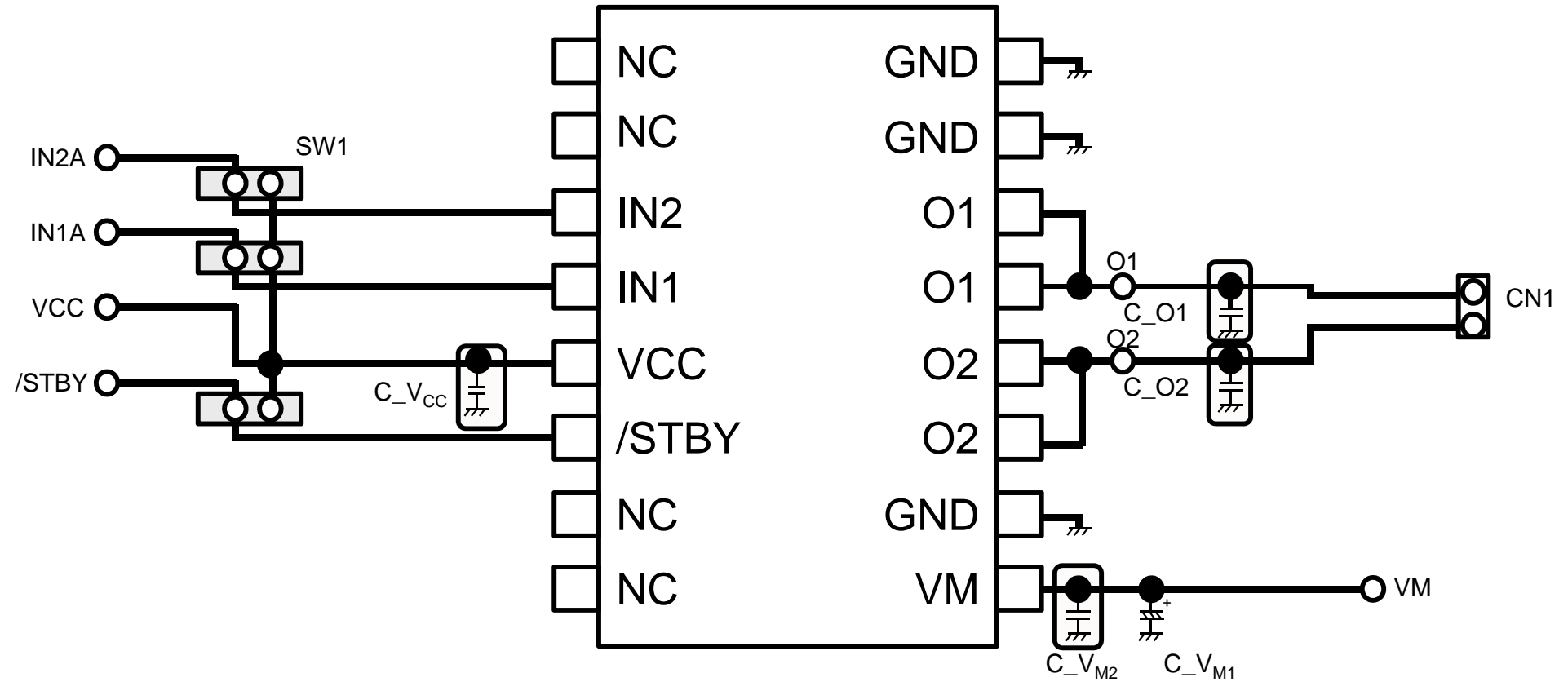
When the DIP switch is changed to the higher position, it will be set a VCC level, and when the switch is changed to the lower position, it will be set Open.



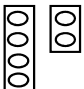
This evaluation board has a DIP switch (SW) so that the operation setting of the TC78H630FNG can be set without the external signal input.


When the DIP switch is changed to the higher position, it will be set a VCC level = "High level", and when the switch is changed to the lower position, it will be set Open.

In the case of Open, the input signal can be input from the pin, and even if there is no input signal, the switch is fixed to "GND level" = "Low" level by the pull down resistance in the IC.

Circuit of Evaluation Board



-  Check pin
-  Dip switch
-  Socket

 Surface-mounting component