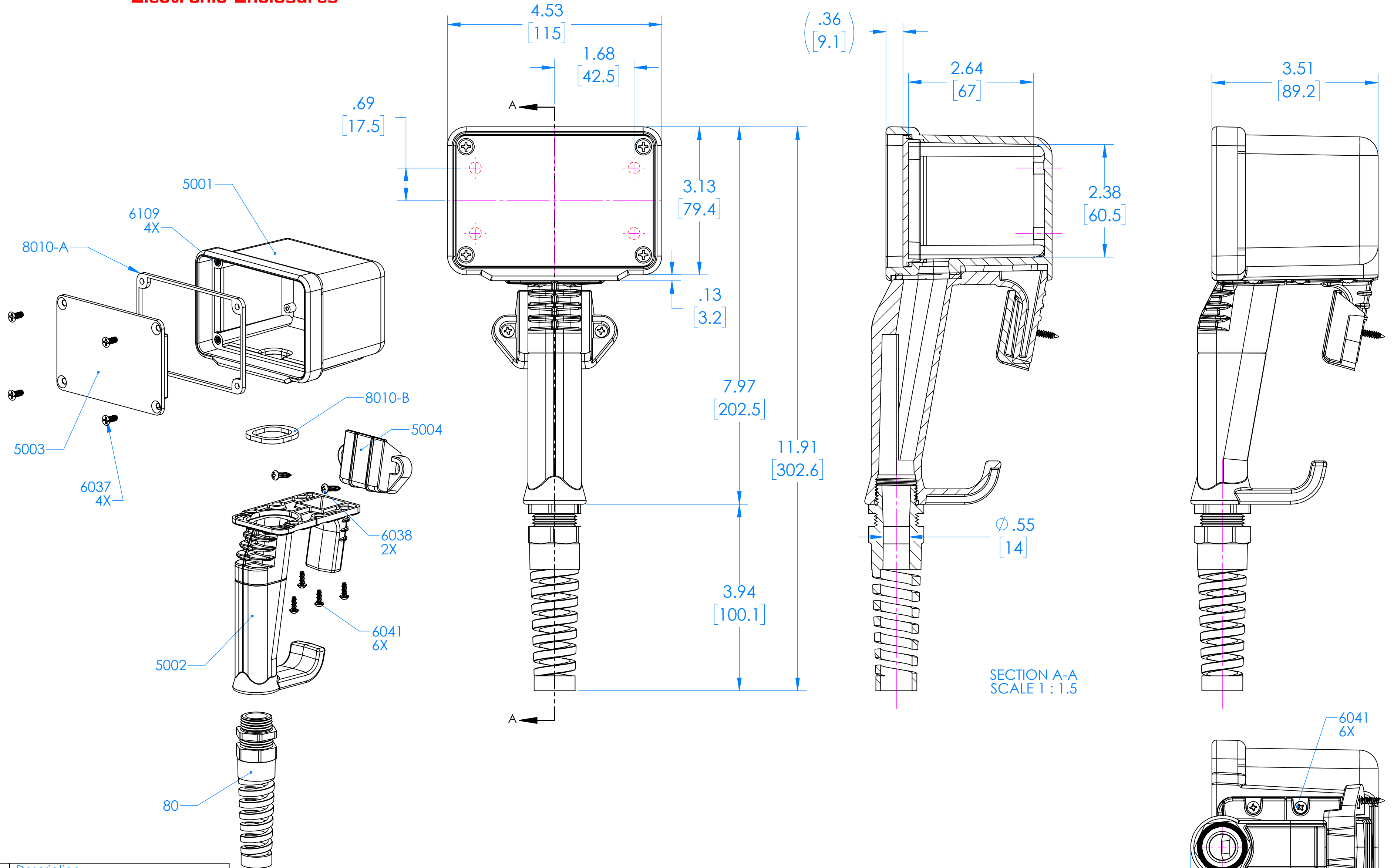


SERPAC P24

Electronic Enclosures



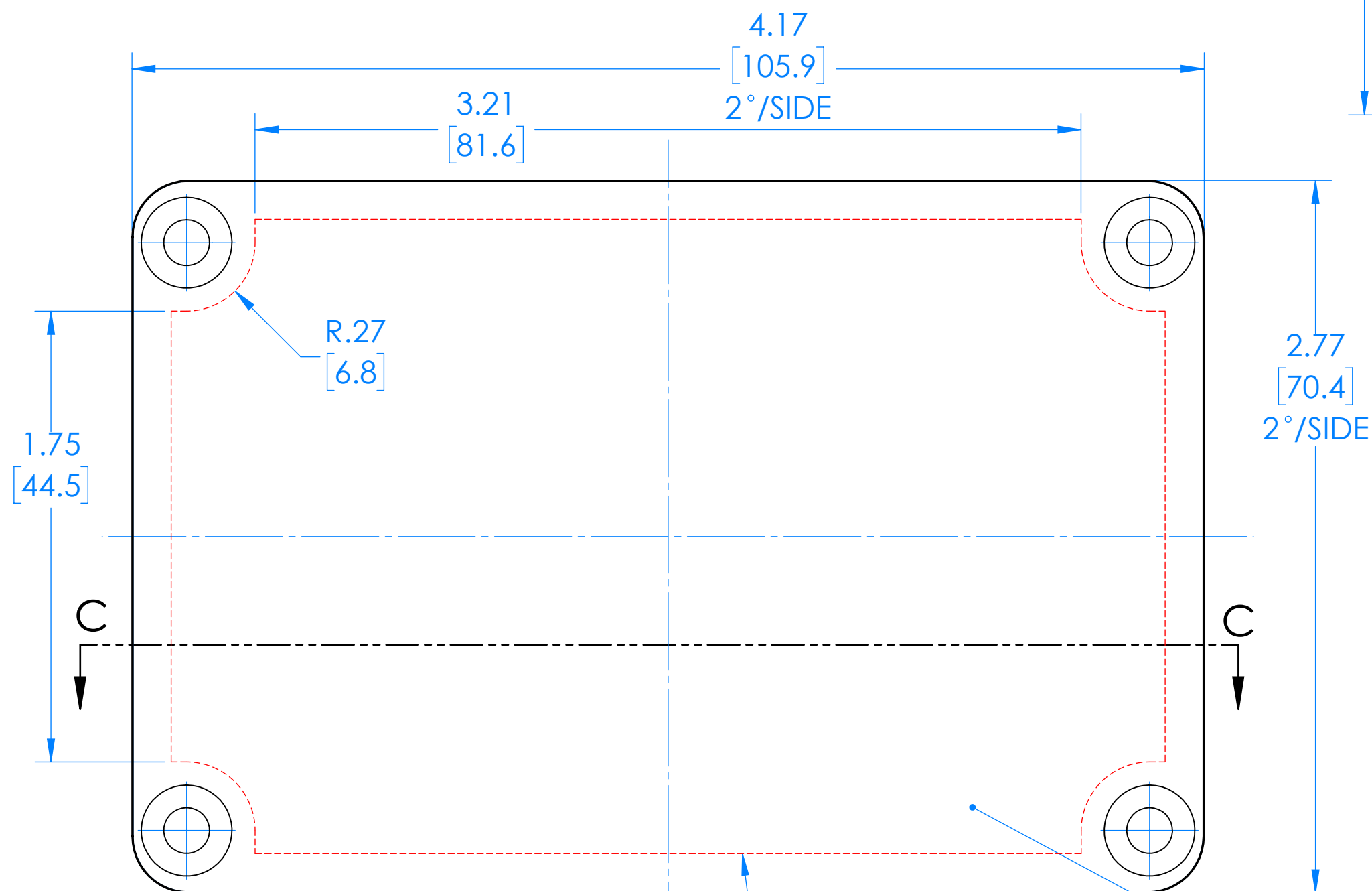
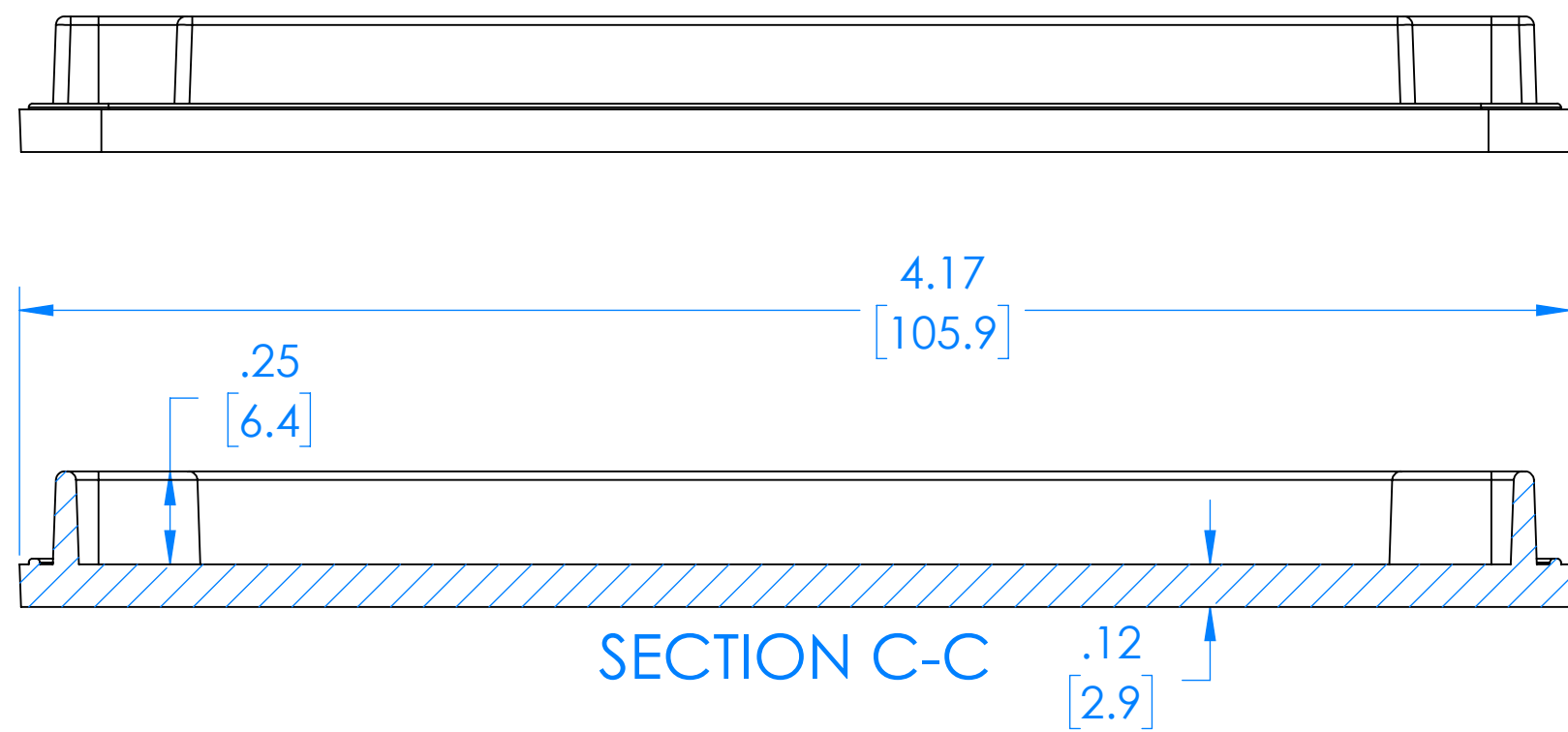
PN	Description
5001	P24 Housing
5002	P24 Handle
5003	P24 Plate
5004	P24 Holder
6109	Threaded Inserts, M4, SL-B-M4-5.8 (4)
80	PG-16 Pigtail
6041	SS Truss Hd, Hi-Lo Screw, #4 x 3/8 (6)
6037	SS Flat Hd. Screw M4 x 10mm (4)
6038	SS Pan Hd Slotted head #6 X 5/8"(2X)
8010-A	P24 Plate Gasket
8010-B	P24 Handle Gasket

- Notes:
- Unit is shipped with Handle/Housing gasket installed. Plate to Housing gasket is user installed.
 - Dim's in Inch/[mm].
 - Standard Material is UL94 HB Polyester (Yellow or Black).
 - Watertight enclosure meets or exceeds Nema 4x / IP66.

SERPAC Plate & Circuit Board for P24 and P26

Electronic Enclosures

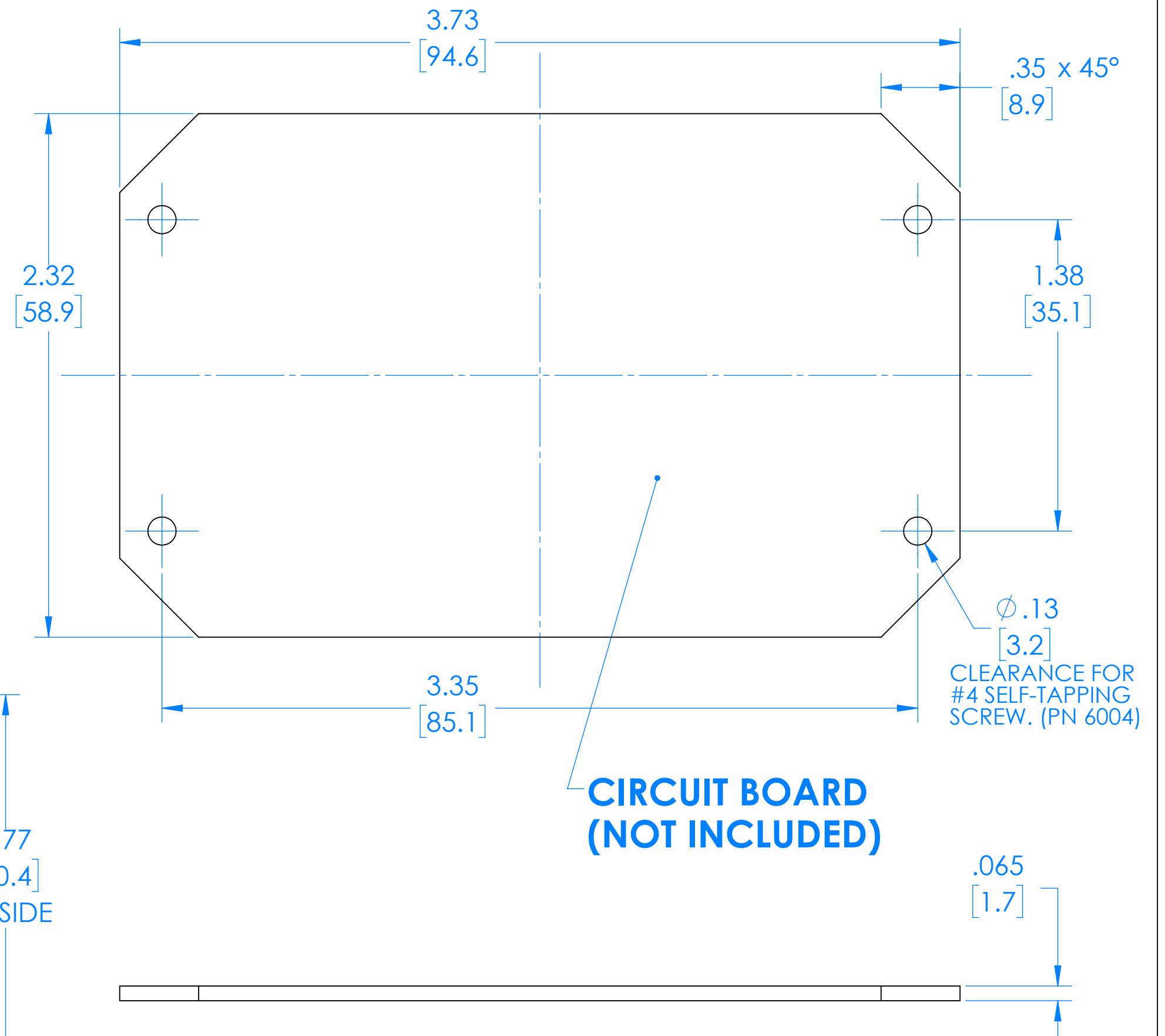
PN 5003 P24 PLATE (INCLUDED)



INDICATES PLATE INTERNAL USABLE AREA

PN 5003 PLATE (INCLUDED)

P24-P26 CIRCUIT BOARD (NOT INCLUDED)



THERE IS A 0.030" ±.005" CLEARANCE FROM THE PERIMETER OF THE CIRCUIT BOARD TO THE INTERIOR OF THE ENCLOSURE.