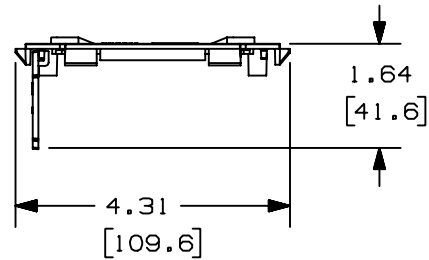
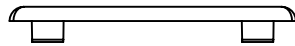
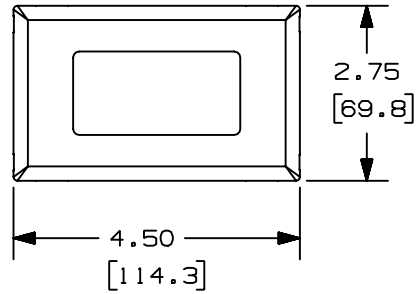


THIS COPY IS PROVIDED ON A RESTRICTED BASIS AND IS NOT TO BE USED IN ANY WAY DETRIMENTAL TO THE INTERESTS OF PANDUIT CORP.

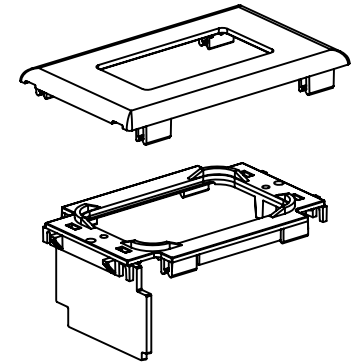


PANDUIT P/N	WEIGHT
PCPAKR	.12 LB (54.4 g)



NOTES:

1. SEE CURRENT CATALOG FOR ADDITIONAL PART SUFFIXES TO INDICATE COLOR AND OR PACKAGE QUANTITY.
2. KIT CONSISTS OF:
(1) SNAP ON DEVICE BRACKET
(1) RECTANGULAR FACEPLATE
3. DIMENSIONS IN PARENTHESES ARE IN METRIC.
4. FOR USE WITH PANDUIT PAN-POLE PART NUMBERS: PCPA11R20 AND PCPA13R20.



CAD FILENAME/LAYERS D38697BR_DC_PCPAKR_00B.prt

PANDUIT CORP. TINLEY PARK, ILLINOIS

POWER ADDITION KIT
(PCPAKR)
CUSTOMER DRAWING

UNLESS OTHERWISE SPECIFIED,
DIMENSIONAL TOLERANCES ARE:
(.X) ± (.XXX) ±
(.XX) ±.03 (.8) ANGLES ±

UNLESS OTHERWISE SPECIFIED,
ALL DIMENSIONS ARE GIVEN
IN INCHES, THIRD ANGLE PROJECTION.

REV	DATE	BY	CHK	DESCRIPTION	ECN	CHK	CUST	SUP
I	02-09-05	JBN		A. REVISED PART WEIGHT TO PER PC	38697-05			
R	12-18-03	JHEPRMHI		RELEASED TO PRODUCTION	38697-05	RGRO	RGRO	

DRAWN BY
JHEP
DATE
12-18-03
CHECKED BY
RMHI

MAT'L:
PVC

SCALE
NONE
DRAWING NO.
38697-05

DWG
A
SIZE