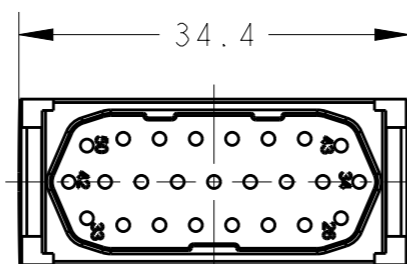
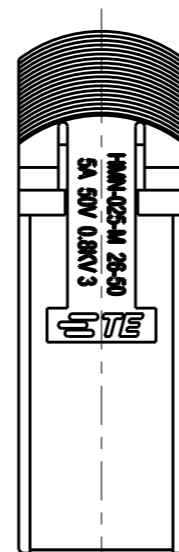
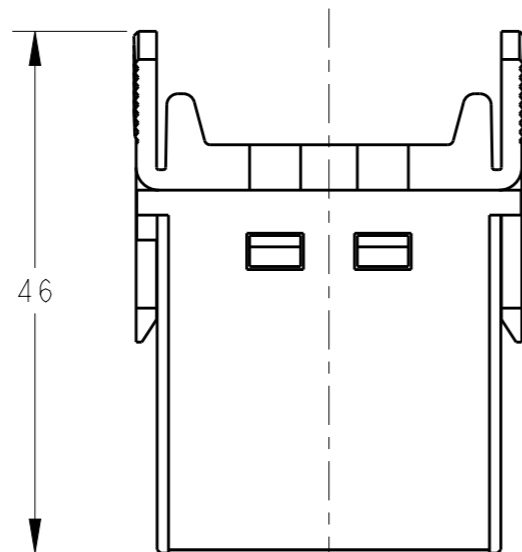
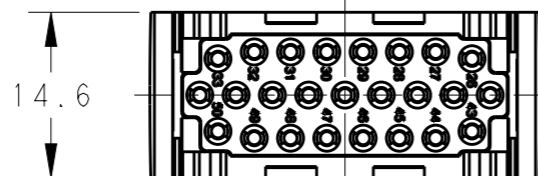
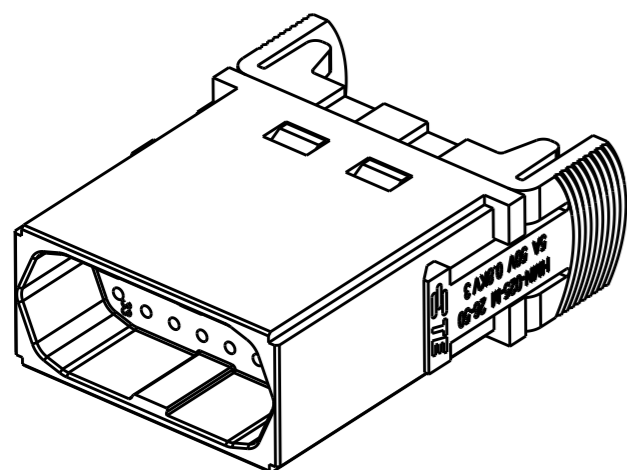


THIS DRAWING IS UNPUBLISHED. RELEASED FOR PUBLICATION 20  
 © COPYRIGHT 20 BY - ALL RIGHTS RESERVED.

REVISIONS

P	LTR	DESCRIPTION	DATE	DWN	APVD
	A	INITIAL	13APR2015	DW	CW
	B	ECR-15-018270	10DEC2015	DW	CW




NOTES:

- TECHNICAL CHARACTERISTICS:  
 INSULATION MATERIAL: PC  
 RATED VOLTAGE: 50V  
 RATED CURRENT: 5A  
 INSULATION RESISTANCE:  $\geq 400M\Omega$   
 RATED IMPULSE VOLTAGE: 0.8KV  
 POLLUTION DEGREE: 3  
 FLAMMABILITY: UL94V-0  
 MATING CYCLES: 500 CYCLES  
 OPERATION TEMPERATURE:  $-40\sim+125^{\circ}C$   
 WIRE RANGE:  $0.08\sim 0.52\text{ mm}^2$  (28~20 AWG)  
 CONTACT TYPE: CRIMP CONTACT
- CONTACT NEED TO BE ORDERED SEPARATELY.  
 (ORDER No. REFER TO DRAWING: T20700X10XX000)

注释:

- 技术参数:  
 绝缘材料: PC  
 额定电压: 50V  
 额定电流: 5A  
 绝缘电阻:  $\geq 400M\Omega$   
 额定脉冲电压: 0.8KV  
 污染等级: 3  
 阻燃等级: UL94V-0  
 插拔次数: 500次  
 工作温度:  $-40\sim+125^{\circ}C$   
 接线范围:  $0.08\sim 0.52\text{ mm}^2$  (28~20 AWG)  
 接线类型: 冷压接
- 端子需要单独订购。  
 (订货号参考图面: T20700X10XX000)

HMN-025-M 26-50	T2111502101-000
DESCRIPTION	PART NUMBER

THIS DRAWING IS A CONTROLLED DOCUMENT.		DWN 13APR2015 David Wang	 TE Connectivity			
DIMENSIONS: mm		CHK 13APR2015 Chris Wang			NAME HMN-025-M 26-50	
TOLERANCES UNLESS OTHERWISE SPECIFIED:		APVD 13APR2015 Xiang Xu			PRODUCT SPEC 108-137122	
0 PLC $\pm$ - 1 PLC $\pm$ - 2 PLC $\pm$ - 3 PLC $\pm$ - 4 PLC $\pm$ - ANGLES $\pm$ -		APPLICATION SPEC 114-137122			SIZE A3	
MATERIAL	FINISH	WEIGHT	CAGE CODE 00779	DRAWING NO T2111502101000	RESTRICTED TO	
-	-	-	SCALE 3:2		SHEET 1 OF 1	REV B
Customer Drawing						