

# UBC-220

## Freescale i.MX6 RISC Compact Box Computer

**NEW**



### Features

- Freescale ARM Cortex-A9 i.MX6 Dual Lite 1 GHz high performance processor
- Onboard DDR3 1 GB, 4 GB eMMC Flash
- Supports OpenGL ES 2.0 and OpenVG 1.1 hardware accelerators, full HD 1080p video codec
- HDMI 1920x1080
- Single Channel 18/24 bit LVDS
- 1 4-wire RS-232
- 1 USB 2.0, 1 USB OTG
- 1 10/100/1000 Mbps Ethernet; 1 SD Slot
- Dual mini-PCIe for WIFI/3G support
- Multiple OS support in Linux/Android

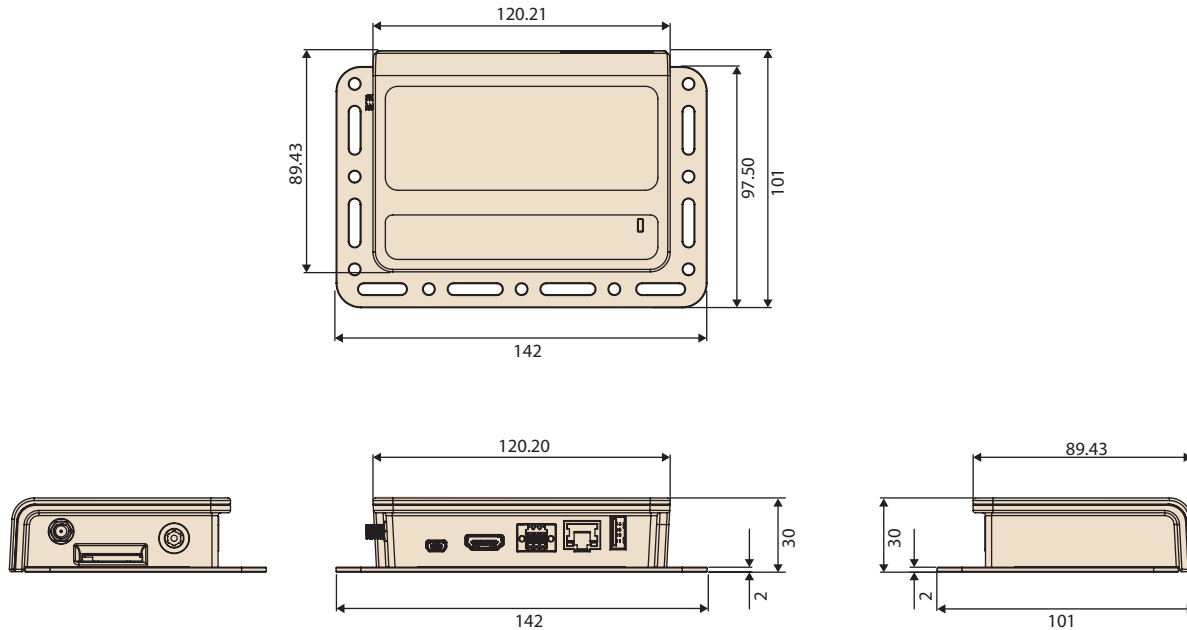


### Specifications

|                  |                       |  |
|------------------|-----------------------|--|
| Processor System | CPU                   | Freescale i.MX6 Cortex-A9 Dual Lite 1 GHz  |
| Memory           | Technology            | DDR3 800 MHz   |
|                  | Capacity              | On-board DDR3 1 GB   |
|                  | Flash                 | 4 GB eMMC Flash for O.S. and 4 MB NOR Flash for Advantech boot loader                                      |
| Graphics         | HDMI                  | 1 HDMI, 1920 x 1080  |
|                  | LVDS                  | Single Channel 18/24 bit LVDS  |
|                  | Graphics Engine       | 1 IPU, OpenGL ES 2.0 for 3D, BitBit for 2D and OpenVG 1.1  |
|                  | H/W Video Codec       | Decoder: MPEG-4 ASP, H.264 HP, H.263, MPEG-2 MP, MJPEG BP<br>Encoder: MPEG-4 SP, H.264 BP, H.263, MJPEG BP |
| Ethernet         | Chipset               | Freescale i.MX6 integrated RGMII   |
|                  | Speed                 | 1 10/100/1000 Mbps   |
| WatchDog Timer   | WatchDog Timer        | External HW WDT  |
| I/O              | USB                   | 1 USB 2.0 Type A   |
|                  | USB OTG               | 1 USB 2.0 OTG  |
|                  | SDIO                  | 1 SD slot  |
|                  | UART                  | 1 4-wire RS-232  |
| Indicator        | LED                   | 1 Green LED for the system power   |
|                  |                       | 1 Green LED for user define  |
| Expansion        | Full Size Mini PCIe   | 1  |
|                  | Half Size Mini PCIe   | 1  |
|                  | SD Socket             | 1  |
|                  | SIM                   | 1  |
|                  | Antenna Hole          | 1  |
| Power            | Power Supply Voltage  | 12 V <sub>DC</sub>   |
|                  | Power Type            | DC-in  |
|                  | Power Consumption     | 4.4W (Max. load)   |
| Environment      | Operating Temperature | 0 ~ 40° C  |
|                  | Operating Humidity    | 5%~95% Relative Humidity, non-condensing   |
| Mechanical       | Dimensions            | 142 x 101 x 30 mm  |
|                  | Mounting              | Wall mount, DIN Rail, VESA mount   |
|                  | Weight                | 210g   |
| Operating System | Linux                 | V3.0.35  |
|                  | Android               | V4.2.2   |
| Certifications   |                       | CE/FCC Class B   |

## Dimensions

Unit: mm



## Ordering Information

| Part Number     | CPU                             | Memory | Flash | HDMI | VGA | LVDS | LAN | Serial Port       | USB Host          | SD | Software         | Operation Temperature |
|-----------------|---------------------------------|--------|-------|------|-----|------|-----|-------------------|-------------------|----|------------------|-----------------------|
| UBC-220DL-MDA1E | Freescalo i.MX6 Dual Lite 1 GHz | 1 GB   | 4 GB  | 1    | -   | 1    | 1   | 1 x 4-wire RS-232 | 1 USB2.0<br>1 OTG | 1  | Linux<br>Android | 0 ~ 40° C             |

## Optional Accessories

| Part Number      | Description  |
|------------------|--|
| 96PSA-A36W12R1   | ADAPTER 100-240V 36W 12V 3A                                  |
| SQF-ISDS1-2G-86E | SQFlash SD card SLC 2G, 1CH (-40 ~ 85° C)                    |
| EWM-W142F01E     | 802.11 b/g/n, AR9287, 2T2R, Full size Mini PCIe              |
| EWM-W151H01E     | Advantech 802.11bgn RTL8188EE 1T1R, 1-connector              |
| EWM-C106FT02E    | HSPA/WCDMA/GPRS Cellular module                              |
| 1750006043       | Cable R/P SMA (M) to MHF 1.32 150mm (WiFi Cable)             |
| 1750000318       | EMI Antenna 2DBI 2.4GHz SMA CONN for ARK-3384 (WiFi Antenna) |
| 1750006264       | Antenna SMA(F)/MHF 15cm SMALFN8-3150A-00X00R (3G Cable)      |
| 1750005865       | Antenna L=10.9cm 500hm AN8921F-5701SM (3G Antenna)           |
| 1700001524       | Power Cord 3P UL 10A 125V 180cm                              |
| 170203183C       | Power Cord 3P Europe (WS-010+WS-083)183cm                    |
| 170203180A       | Power Cord 3P UK 2.5A/3A 250V 1.83M                          |

## External I/O

