



## Main

|                               |   |
|-------------------------------|---|
| Range of Product              | Telemecanique Photoelectric sensors XU              |
| Series name                   | Application packaging                               |
| Electronic sensor type        | Photo-electric sensor                               |
| Sensor name                   | XUK   |
| Sensor design                 | Compact 50 x 50                                     |
| Detection system              | Diffuse   |
| Emission                      | White LED   |
| [Sn] nominal sensing distance | 0.75 in (19 mm) Ø 3.5 mm                            |
| Material                      | Plastic   |
| Switching frequency           | <= 5 kHz  |
| Type of output signal         | Discrete  |
| Supply circuit type           | DC  |
| Wiring Technique              | 3-wire  |
| Discrete output type          | PNP   |
| Discrete output function      | 1 NO or 1 NC programmable                           |
| Electrical connection         | 1 male connector M12 adjustable through 90°, 4 pins |
| Product Specific Application  | Colour mark   |
| Sale per indivisible quantity | 1   |

## Complementary

|                                 |   |
|---------------------------------|---|
| Enclosure Material              | ABS   |
| Lens material                   | Glass   |
| Resolution                      | 0.5 mm  |
| Depth of field                  | +/- 2 mm  |
| Maximum passing speed of object | 8.20 ft/s (2.5 m/s) 0.04 in (1 mm)  |
| Output Type                     | Solid state   |
| Output function governance      | Light or dark teaching  |
| Add on output                   | Without   |
| Add on input                    | Remote teaching   |
| Status LED                      | Stability 1 LED green)<br>Error 1 LED green/red (flashing))<br>Output state 1 LED yellow) |
| [Us] rated supply voltage       | 12...24 V DC  |
| Supply voltage limits           | DC  |
| Switching capacity in mA        | <= 100 mA reverse polarity, overload and short-circuit protection)                        |
| Maximum voltage drop            | <2 V closed state)  |
| Current consumption             | <= 30 mA no-load  |
| Maximum delay response          | 0.1 ms  |
| Maximum delay recovery          | 0.1 ms  |
| Setting-up                      | Sensitivity adjustment with teach mode  |
| Depth                           | 1.97 in (50 mm)   |
| Height                          | 1.97 in (50 mm)   |
| Width                           | 0.59 in (15 mm)   |
| Net Weight                      | 0.10 lb(US) (0.045 kg)  |

## Environment

|                                       |   |
|---------------------------------------|---|
| Product Certifications                | CULus<br>CE                                       |
| Ambient Air Temperature for Operation | 14...131 °F (-10...55 °C)                         |
| Ambient Air Temperature for Storage   | -4...158 °F (-20...70 °C)                         |
| Vibration resistance                  | +/-0.5 mm 10...55 Hz) IEC 60068-2-6               |
| Shock resistance                      | 30 gn 11 ms) 6 shocks on each axis IEC 60068-2-27 |
| IP degree of protection               | IP65 IEC 60529                                    |

## Ordering and shipping details

|                       |                              |
|-----------------------|------------------------------|
| Category              | 22481-SENSORS, PHOTOELECTRIC |
| Discount Schedule     | DS2                          |
| GTIN                  | 3389110701784                |
| Nbr. of units in pkg. | 1                            |
| Package weight(Lbs)   | 1.83 oz (52.0 g)             |
| Returnability         | No                           |
| Country of origin     | HU                           |

## Packing Units

|                              |                        |
|------------------------------|------------------------|
| Unit Type of Package 1       | PCE                    |
| Package 1 Height             | 1.38 in (3.5 cm)       |
| Package 1 width              | 3.23 in (8.2 cm)       |
| Package 1 Length             | 3.35 in (8.5 cm)       |
| Unit Type of Package 2       | S02                    |
| Number of Units in Package 2 | 21                     |
| Package 2 Weight             | 3.47 lb(US) (1.576 kg) |
| Package 2 Height             | 5.91 in (15 cm)        |
| Package 2 width              | 11.81 in (30 cm)       |
| Package 2 Length             | 15.75 in (40 cm)       |

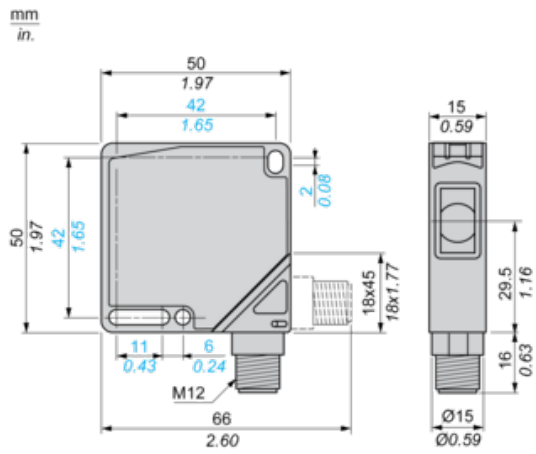
## Offer Sustainability

|                            |   |
|----------------------------|---|
| Sustainable offer status   | Green Premium product   |
| California proposition 65  | WARNING: This product can expose you to chemicals including: Diisononyl phthalate (DINP), which is known to the State of California to cause cancer, and Di-isodecyl phthalate (DIDP), which is known to the State of California to cause birth defects or other reproductive harm. For more information go to <a href="http://www.P65Warnings.ca.gov">www.P65Warnings.ca.gov</a> |
| REACH Regulation           | <a href="#">REACH Declaration</a>   |
| REACH free of SVHC         | Yes   |
| EU RoHS Directive          | Pro-active compliance (Product out of EU RoHS legal scope) <a href="#">EU RoHS Declaration</a>  |
| Toxic heavy metal free     | Yes   |
| Mercury free               | Yes   |
| RoHS exemption information | <a href="#">Yes</a>   |
| Environmental Disclosure   | <a href="#">Product Environmental Profile</a>   |
| Circularity Profile        | <a href="#">End Of Life Information</a>   |

## Contractual warranty

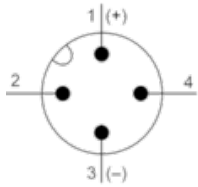
|          |           |
|----------|-----------|
| Warranty | 18 months |
|----------|-----------|

## Dimensions



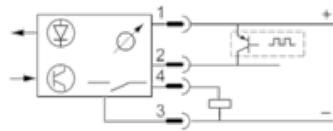
## Wiring Schemes

### Connector Scheme



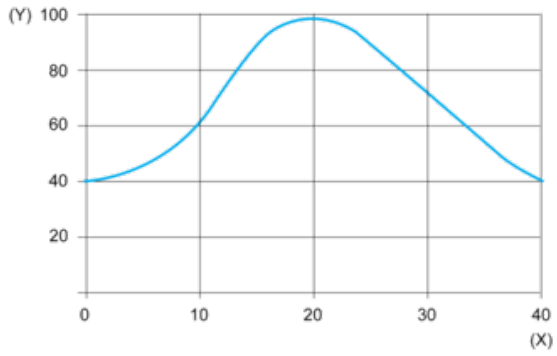
- 1/Brown : 10...30 VDC
- 2/White : Adjustment input
- 3/Blue : 0 V
- 4/Black : Output

### PNP Output



Curves

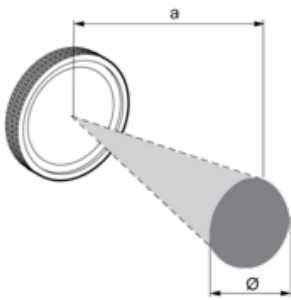
Detection Curve



(y) % of signal

(x) Detection distance (mm)

Detection Zone and Spot Size



| a (mm) | Ø (mm) |
|--------|--------|
| 19     | 3.5    |