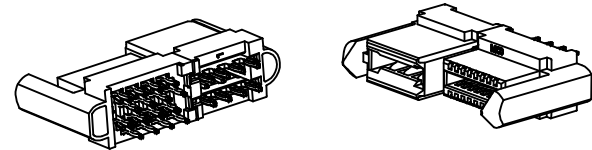
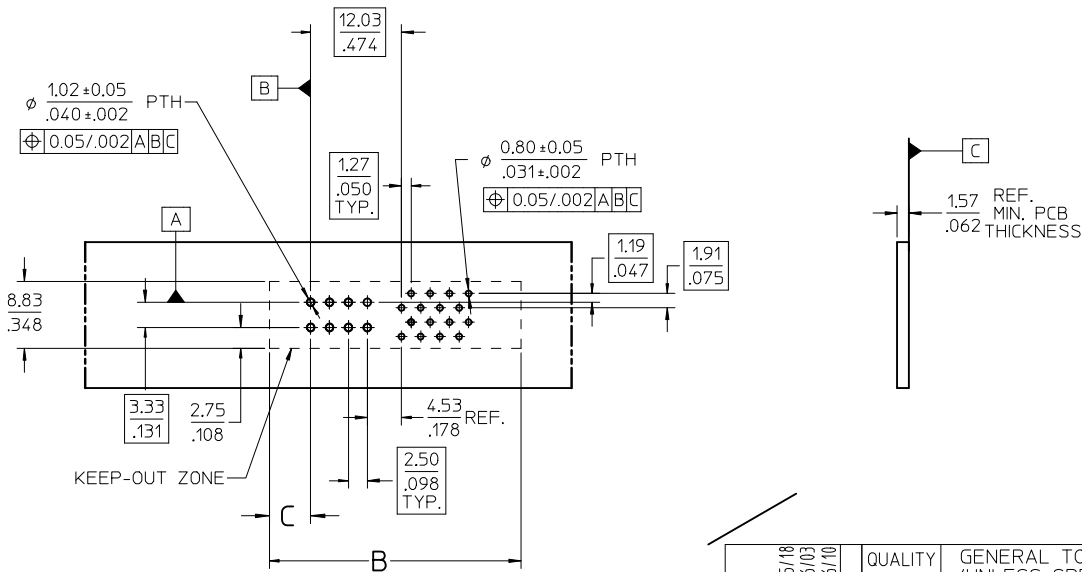


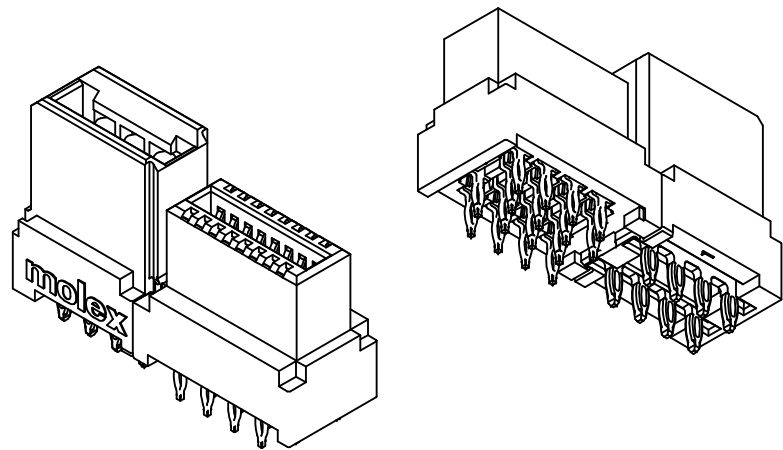
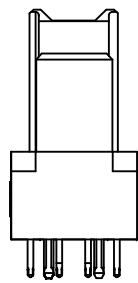
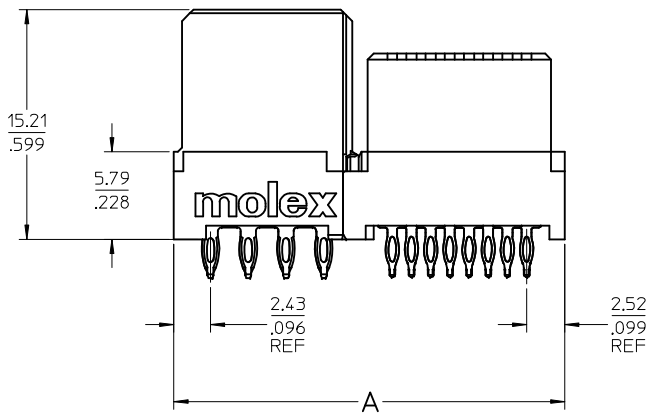
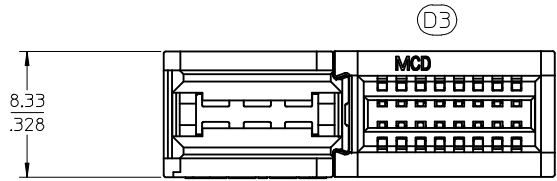
| NO OF SIGNALS | MATERIAL NUMBER | COMPLIANT PIN PLATING | DIM A | DIM B | DIM C |
|---------------|-----------------|-----------------------|-------------|-------------|-----------|
| 12 | 46114-2120 | TIN | 29.01/1.142 | 29.51/1.162 | 5.45/.215 |
| 16 | 46114-2160 | TIN | 31.55/1.242 | 32.05/1.262 | |
| 20 | 46114-2200 | TIN | 34.09/1.342 | 34.59/1.362 | |
| 24 | 46114-2240 | TIN | 36.63/1.442 | 37.13/1.462 | |
| 28 | 46114-2280 | TIN | 39.17/1.542 | 39.67/1.562 | |
| 32 | 46114-2320 | TIN | 41.71/1.642 | 42.21/1.662 | |
| 36 | 46114-2360 | TIN | 44.25/1.742 | 44.75/1.762 | |
| 40 | 46114-2400 | TIN | 46.79/1.842 | 47.29/1.862 | |

- NOTES:
- MATERIAL: HOUSING: LCP, 94-VO, COLOR: BLACK. POWER CONTACTS: COPPER ALLOY. SIGNAL CONTACTS: MODIFIED TIN BRASS.
 - FINISH: SELECT GOLD - 0.75 μ M/30 μ INCHES. SELECTED TIN - 2.50 μ M/100 μ INCHES. BOTH OVER NICKEL - 1.25 μ M/50 μ INCHES.
 - POWER TERMINALS ARE LUBRICATED IN CONTACT AREA.
 - PARTS ARE RoHS COMPLIANT.
 - MATES TO MOLEX P/N 45985-SERIES OR CARD EDGE 157/.062.
 - PRODUCT SPECIFICATION PS-46114-001.
 - PACKAGING: PER PK-46114-003.



MATERIAL # 46114-2160 SHOWN

| UPDATE LOGO EC NO: S2016-1044 DRWNLIN06 2016/05/18 CHKD:JZENG 2016/06/03 APPR:KHLIM 2016/06/10 REV: D3 | QUALITY SYMBOLS | GENERAL TOLERANCES (UNLESS SPECIFIED) | DIMENSION STYLE MM/IN | SCALE 2:1 | DESIGN UNITS METRIC | THIRD ANGLE PROJECTION | | | | | | | | | | | | | | | | | | | | | | | | | | | |
|---|-----------------|--|----------------------------------|-------------------------------------|----------------------------|------------------------|-----|-----|------------|-----|-------|------------|------|-----|-----------|-----|-----|---|----------|------|------------|----------|------------|------|--------|----------|-------------|------|-----------|------------|---|--|--|
| | | <table border="1"> <tr> <th></th> <th>mm</th> <th>INCH</th> </tr> <tr> <td>4 PLACES ±</td> <td>---</td> <td>---</td> </tr> <tr> <td>3 PLACES ±</td> <td>---</td> <td>±.010</td> </tr> <tr> <td>2 PLACES ±</td> <td>0.25</td> <td>---</td> </tr> <tr> <td>1 PLACE ±</td> <td>---</td> <td>---</td> </tr> </table> | | mm | INCH | 4 PLACES ± | --- | --- | 3 PLACES ± | --- | ±.010 | 2 PLACES ± | 0.25 | --- | 1 PLACE ± | --- | --- | <table border="1"> <tr> <th>DRAWN BY</th> <th>DATE</th> </tr> <tr> <td>MKARADIMAS</td> <td>07/23/07</td> </tr> <tr> <th>CHECKED BY</th> <th>DATE</th> </tr> <tr> <td>APATEL</td> <td>07/25/07</td> </tr> <tr> <th>APPROVED BY</th> <th>DATE</th> </tr> <tr> <td>JCOMERC I</td> <td>2009/12/03</td> </tr> </table> | DRAWN BY | DATE | MKARADIMAS | 07/23/07 | CHECKED BY | DATE | APATEL | 07/25/07 | APPROVED BY | DATE | JCOMERC I | 2009/12/03 | TITLE LPH VERTICAL RECEPTACLE ASSEMBLY 2 CIRCUIT PWR CONNECTOR, PRESS FIT | | |
| | | mm | INCH | | | | | | | | | | | | | | | | | | | | | | | | | | | | | | |
| | 4 PLACES ± | --- | --- | | | | | | | | | | | | | | | | | | | | | | | | | | | | | | |
| 3 PLACES ± | --- | ±.010 | | | | | | | | | | | | | | | | | | | | | | | | | | | | | | | |
| 2 PLACES ± | 0.25 | --- | | | | | | | | | | | | | | | | | | | | | | | | | | | | | | | |
| 1 PLACE ± | --- | --- | | | | | | | | | | | | | | | | | | | | | | | | | | | | | | | |
| DRAWN BY | DATE | | | | | | | | | | | | | | | | | | | | | | | | | | | | | | | | |
| MKARADIMAS | 07/23/07 | | | | | | | | | | | | | | | | | | | | | | | | | | | | | | | | |
| CHECKED BY | DATE | | | | | | | | | | | | | | | | | | | | | | | | | | | | | | | | |
| APATEL | 07/25/07 | | | | | | | | | | | | | | | | | | | | | | | | | | | | | | | | |
| APPROVED BY | DATE | | | | | | | | | | | | | | | | | | | | | | | | | | | | | | | | |
| JCOMERC I | 2009/12/03 | | | | | | | | | | | | | | | | | | | | | | | | | | | | | | | | |
| | | ANGULAR ±1/2° | MATERIAL NO. SEE CHART | DOCUMENT NO. SD-46114-200 | SHEET NO. 1 OF 3 | | | | | | | | | | | | | | | | | | | | | | | | | | | | |
| DRAFT WHERE APPLICABLE MUST REMAIN WITHIN DIMENSIONS | | THIS DRAWING CONTAINS INFORMATION THAT IS PROPRIETARY TO MOLEX INCORPORATED AND SHOULD NOT BE USED WITHOUT WRITTEN PERMISSION | | | | | | | | | | | | | | | | | | | | | | | | | | | | | | | |

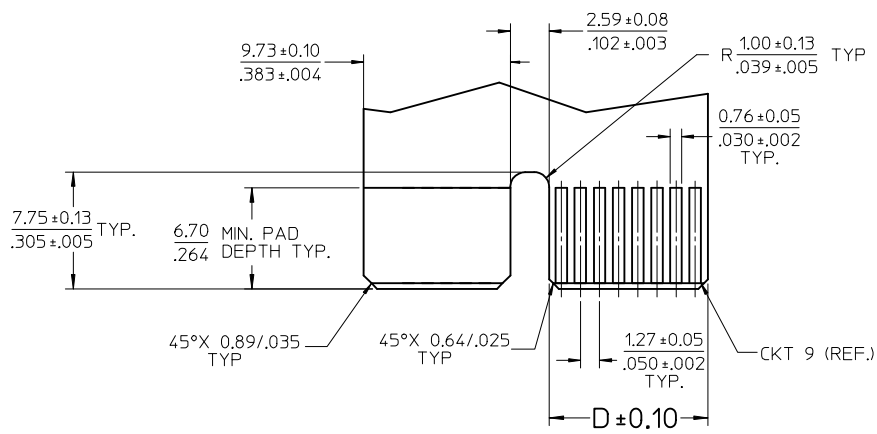
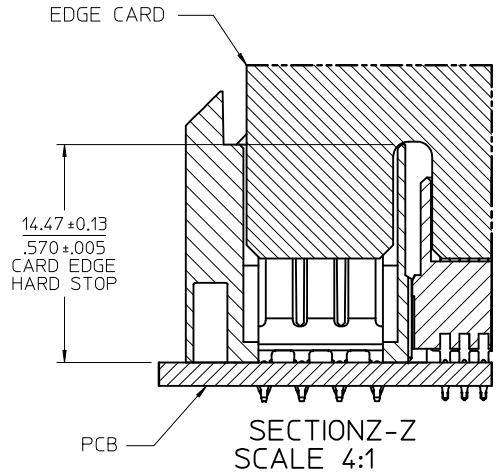
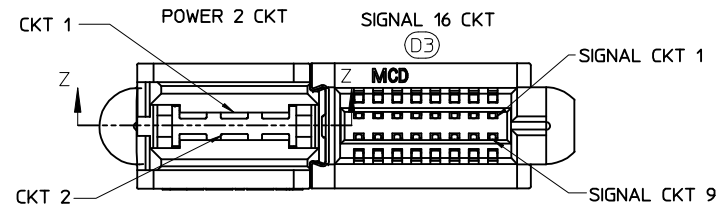


MATERIAL # 46114-2161 SHOWN

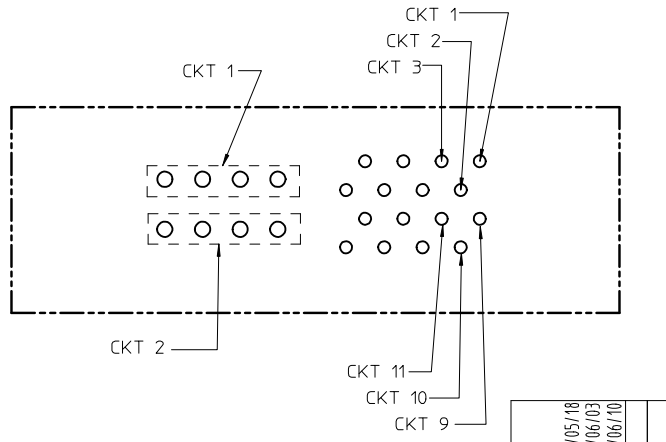
| NO OF SIGNALS | MATERIAL NUMBER | COMPLIANT PIN PLATING | DIM A | DIM B | DIM C |
|---------------|-----------------|-----------------------|-------------|-------------|-----------|
| 12 | 46114-2121 | TIN | 23.34/.919 | 23.88/.940 | 2.69/.106 |
| 16 | 46114-2161 | TIN | 25.88/1.019 | 26.42/1.040 | |
| 20 | 46114-2201 | TIN | 28.42/1.119 | 28.96/1.140 | |
| 24 | 46114-2241 | TIN | 30.96/1.219 | 31.50/1.240 | |
| 28 | 46114-2281 | TIN | 33.50/1.319 | 34.04/1.340 | |
| 32 | 46114-2321 | TIN | 36.04/1.419 | 36.58/1.440 | |
| 36 | 46114-2361 | TIN | 38.58/1.519 | 39.12/1.540 | |
| 40 | 46114-2401 | TIN | 41.12/1.619 | 41.66/1.640 | |

| | | | | | | | | | |
|--|--|--|--|---|---|--|--|------------------------|--|
| UPDATE LOGO EC NO: S2016-10044 DRWNLIN06 CHKD:JZENG APPR:KHLIM D3 | 2016/05/18 2016/06/03 2016/06/10 | DESCRIPTION LPH VERTICAL RECEPTACLE ASSEMBLY 2 CIRCUIT PWR CONNECTOR, PRESS FIT | QUALITY SYMBOLS | GENERAL TOLERANCES (UNLESS SPECIFIED) | DIMENSION STYLE MM/IN | SCALE 2:1 | DESIGN UNITS METRIC | THIRD ANGLE PROJECTION | |
| | | | | 4 PLACES ± --- ± --- 3 PLACES ± --- ± .010 2 PLACES ± 0.25 ± --- 1 PLACE ± --- ± --- | DRAWN BY: MKARADIMAS CHECKED BY: APATEL APPROVED BY: JCOMERCI | DATE: 07/23/07 DATE: 07/25/07 DATE: 2009/12/03 | TITLE: LPH VERTICAL RECEPTACLE ASSEMBLY 2 CIRCUIT PWR CONNECTOR, PRESS FIT | | |
| | | | | ANGULAR ±1/2° | MATERIAL NO. SEE CHART | MOLEX INCORPORATED | | | |
| | | | DRAFT WHERE APPLICABLE MUST REMAIN WITHIN DIMENSIONS | SIZE C | DOCUMENT NO. SD-46114-200 | SHEET NO. 2 3 | | | |

| NO OF SIGNAL | DIM. D |
|--------------|-------------|
| 12 | 8.00/.315 |
| 16 | 10.54/.415 |
| 20 | 13.08/.515 |
| 24 | 15.62/.615 |
| 28 | 18.16/.715 |
| 32 | 20.70/.815 |
| 36 | 23.24/.915 |
| 40 | 25.78/1.015 |



RECOMMENDED EDGE CARD LAYOUT
 EDGE CARD THICKNESS: 1.57/.062 ± 0.15/.006
 PLATING: GOLD 30 μ INCHES MIN.
 OVER 150 μ INCHES NICKEL.



PCB LAYOUT: COMPONENT SIDE
 SEE SHT 1 FOR DIMENSIONS.

| | | | | | | | | | | |
|---|--|--|-----------------------|--------------------------|---------------------|--------------------------|------------------------|--|--------------|---------------------|
| UPDATE LOGO IEC NO: S200604044 2016/05/18 DRWNL:IN06 2016/06/03 CHKD:JZENG 2016/06/10 APPR:KHLIM 2016/06/10 | DESCRIPTION LPH VERTICAL RECEPTACLE ASSEMBLY 2 CIRCUIT PWR CONNECTOR, PRESS FIT | GENERAL TOLERANCES (UNLESS SPECIFIED) | | DIMENSION STYLE MM/IN | | SCALE 4:1 | DESIGN UNITS METRIC | THIRD ANGLE PROJECTION | | |
| | | 4 PLACES ± --- ± --- | 3 PLACES ± --- ± .010 | 2 PLACES ± .25 ± --- | 1 PLACE ± --- ± --- | DRAWN BY MKARADIMAS | DATE 07/23/07 | TITLE LPH VERTICAL RECEPTACLE ASSEMBLY 2 CIRCUIT PWR CONNECTOR, PRESS FIT | | |
| | | ANGULAR ± 1/2° | | | | APPROVED BY JCOMERC I | DATE 2009/12/03 | MOLEX INCORPORATED | | |
| | | DRAFT WHERE APPLICABLE MUST REMAIN WITHIN DIMENSIONS | | | | SEE CHART | | MATERIAL NO. | DOCUMENT NO. | SHEET NO. 3 OF 3 |