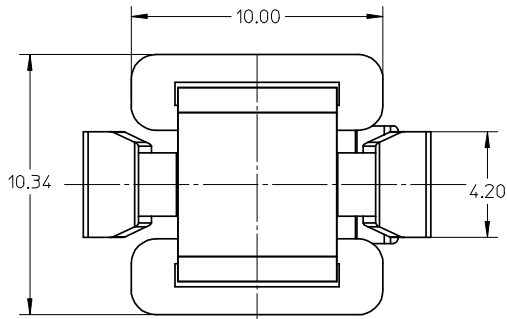
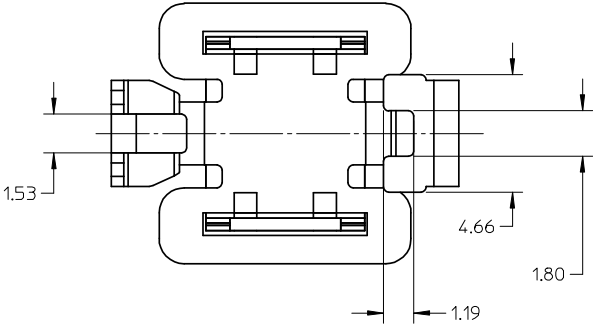
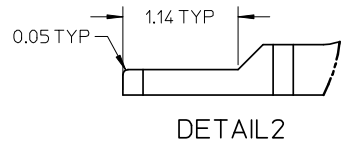
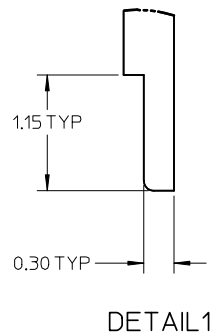
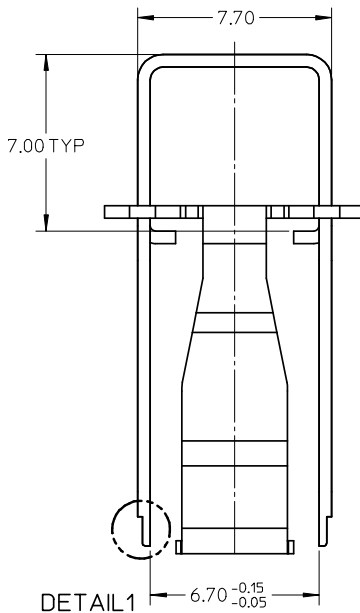
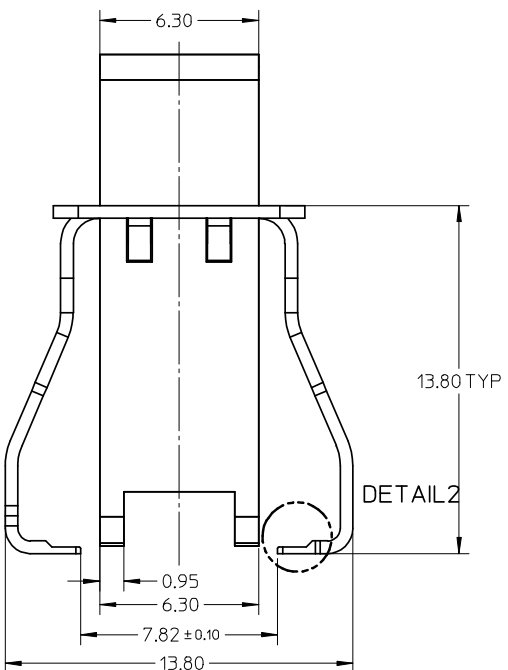
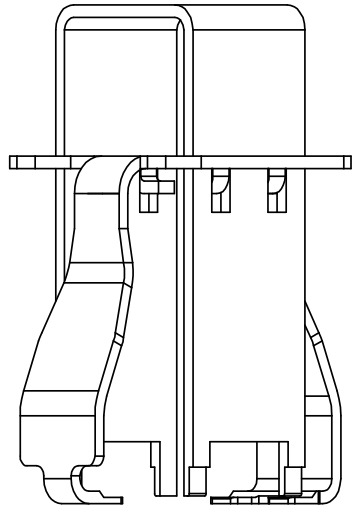


10 9 8 7 6 5 4 3 2 1



NOTES:
 1. MATERIAL:
 STAINLESS STEEL 304 THICKNESS 0.5MM
 2. FINISH:
 NON-PLATING
 3. COMPLIANT TO RoHS DIRECTIVE 200/95/EC AND ELV 2000/53/EC



| | | | | | | | | | | |
|--|--|---------------------------------------|-------|-----------------|---|---------------------------|--|------------------------|--|--|
| NEW RELEASE EC NO: SH2008-0421 DRWN: MSH CHKD: YLZHU APPR: HWANG 2008/02/22 2008/03/20 | QUALITY SYMBOLS | GENERAL TOLERANCES (UNLESS SPECIFIED) | | DIMENSION STYLE | | SCALE | DESIGN UNITS | THIRD ANGLE PROJECTION | | |
| | $\nabla = 0$ $\text{C} = 0$ | mm | INCH | MM ONLY | | 8:1 | METRIC | | | |
| | | 4 PLACES | ± --- | ± --- | DRAWN BY | DATE | TITLE | | | |
| | | 3 PLACES | ± --- | ± --- | MSH1 | 2007/08/27 | EXTRACTOR FOR CAMERA SOCKET 6.5X6.5 TYPE | | | |
| | 2 PLACES | ± 0.15 | ± --- | CHECKED BY | DATE | MOLEX INCORPORATED | | | | |
| | 1 PLACE | ± --- | ± --- | YLZHU | 2007/10/31 | | | | | |
| | ANGULAR ± 2 ° | | | APPROVED BY | DATE | DOCUMENT NO. SD-47586-008 | | | | |
| | DRAFT WHERE APPLICABLE MUST REMAIN WITHIN DIMENSIONS | | | HWANG | 2007/10/31 | | | | | |
| | | | | MATERIAL NO. | SHEET NO. 1 OF 1 | | | | | |
| | | | | SIZE | THIS DRAWING CONTAINS INFORMATION THAT IS PROPRIETARY TO MOLEX INCORPORATED AND SHOULD NOT BE USED WITHOUT WRITTEN PERMISSION | | | | | |
| | | | | A3 | | | | | | |

9 8 7 6 5 4 3 2 1