

NOTES:

1. MATERIAL:

HOUSING - LCP, GLASS FILLED, UL94-V0, COLOR: BLACK
POWER PIN - COPPER ALLOY

2. FINISH OPTION:

TIN - 0.76µm MINIMUM GOLD AT CONTACT AND
2.54µm MINIMUM TIN AT SOLDER TAIL AREA OVER
1.27µm MINIMUM NICKEL UNDERPLATE OVERALL.
TIN-LEAD - 0.76µm MINIMUM GOLD AT CONTACT AND
2.54µm MINIMUM TIN-LEAD AT SOLDER TAIL AREA OVER
1.27µm MINIMUM NICKEL UNDERPLATE OVERALL.

3. PRODUCT SPECIFICATION: PS-78213-001.

4. PACKAGING SPECIFICATION: PK-782642-001.

5. MATES WITH 78247-**** & 78212-****.

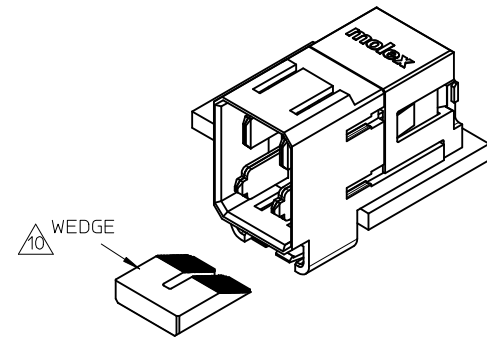
6. REFER TO SHEET 3 FOR RECOMMENDED PCB LAYOUT.

7. REFER TO MOLEX PRODUCT SPECIFICATION PS-78213-001 FOR PLATED THROUGH-HOLE SPECIFICATIONS.

8. PART NUMBER AND DATE CODE (YYDDD) APPROXIMATELY SHOWN.

9. KEEP OUT ZONE FROM OTHER COMPONENTS.

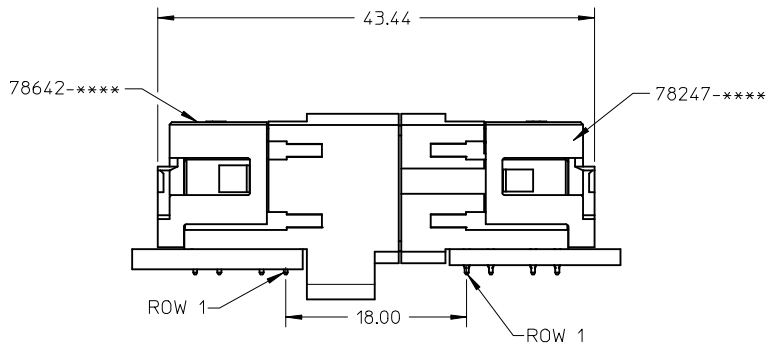
10. THIS CONNECTOR IS SHIPPED WITH A STUB. THIS STUB SHALL BE INSERTED INTO THE CONNECTOR ONLY AFTER IT IS PRESS FITTED ONTO PCB.



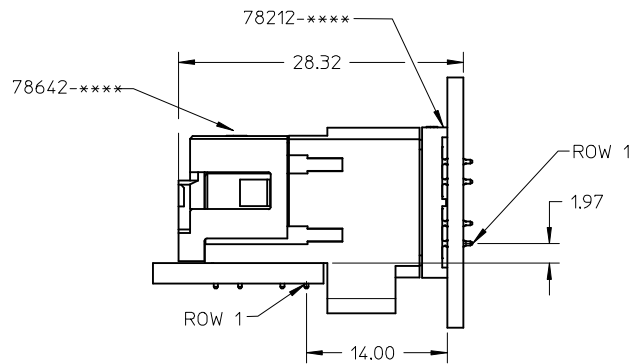
RELEASED EC NO: S2012-0660 DRWN:CTCHO CHKD: LNG APPR: SHONG 2012/02/28 2012/02/28 2012/03/22	QUALITY SYMBOLS $F_A=0$ $F_B=0$ $F_C=0$	GENERAL TOLERANCES (UNLESS SPECIFIED)		DIMENSION STYLE MM ONLY		SCALE NTS	DESIGN UNITS METRIC	THIRD ANGLE PROJECTION	
		4 PLACES ± --- ± --- 3 PLACES ± --- ± --- 2 PLACES ± 0.25 ± --- 1 PLACE ± --- ± ---	mm INCH ± --- ± --- ± 0.25 ± --- ± --- ± ---	DRAWN BY CTCHO	DATE 2012/02/28	TITLE IMPACT POWER, 3 PAIR RIGHT ANGLE HEADER PRESS-FIT, W LOCK			
		ANGULAR ± 1 °		CHECKED BY LNG	DATE 2012/02/28	MOLEX INCORPORATED			
		DRAFT WHERE APPLICABLE MUST REMAIN WITHIN DIMENSIONS		APPROVED BY SHONG	DATE 2012/03/22	MATERIAL NO. SEE TABLE	DOCUMENT NO. SD-78642-001	SHEET NO. 1 OF 2	

10	9	8	7
PART NUMBER	P1 (APPLIES TO B1 & B2)	P2 (APPLIES TO A1 & A2)	PACKAGING
78642-1011	6.90	6.90	TIN PLATING TRAY
78642-1022	5.70	5.70	
78642-1033	6.90	5.70	
78642-1044	5.70	6.90	

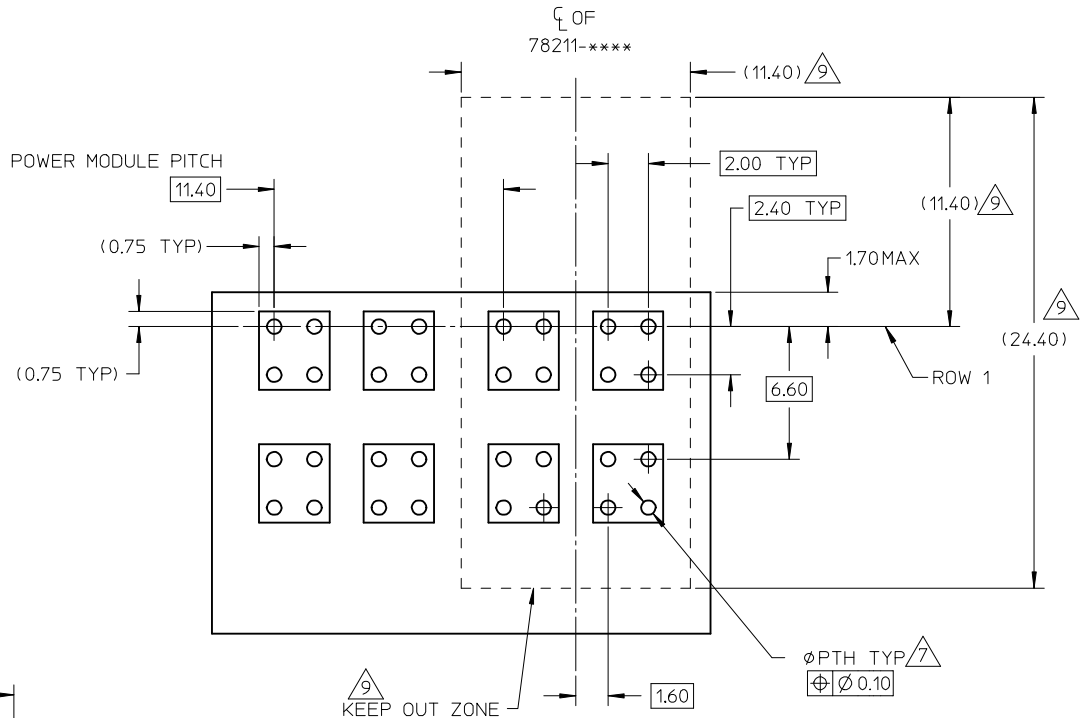
MATED SYSTEM OPTIONS WITH 78642



RIGHT ANGLE HEADER (78642) & RIGHT ANGLE RECEPTACLE (78247)

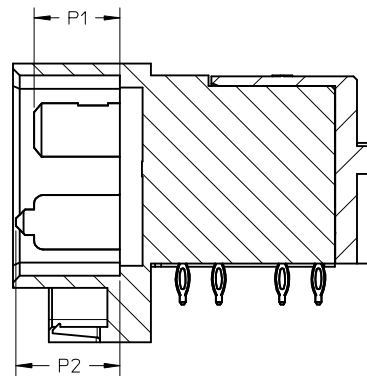


RIGHT ANGLE HEADER (78642) & VERTICAL RECEPTACLE (78212)



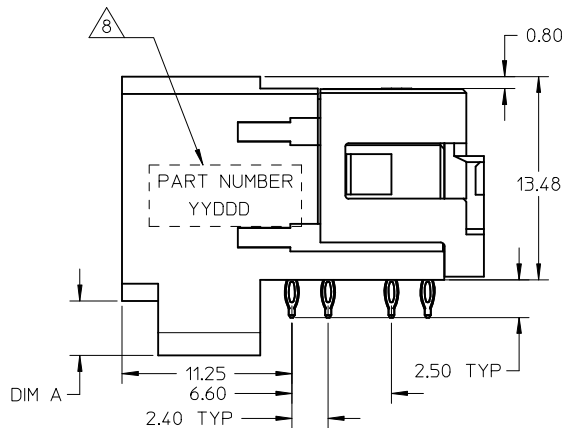
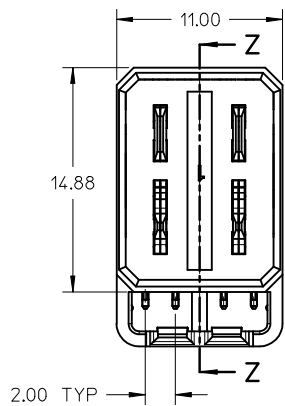
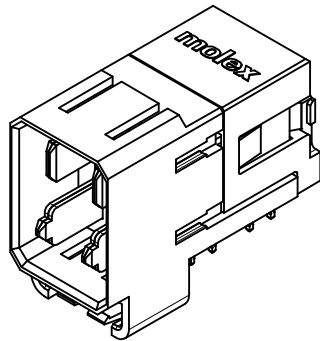
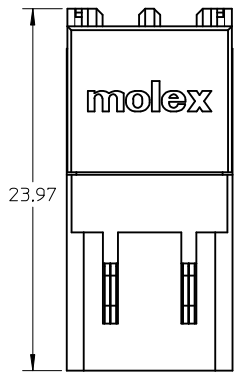
RECOMMENDED PCB LAYOUT

(COMPONENT SIDE SHOWN)
BOARD THICKNESS: FROM 2.0mm TO 3.0mm only



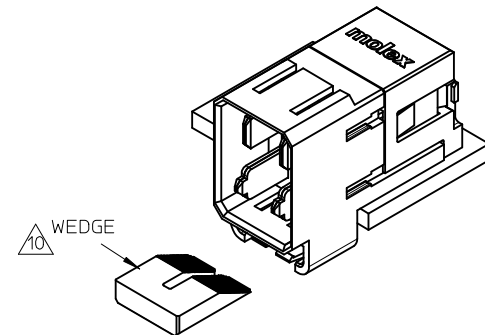
SECTION Z-Z

REV	DESCRIPTION	QUALITY SYMBOLS	GENERAL TOLERANCES (UNLESS SPECIFIED)		DIMENSION STYLE	SCALE	DESIGN UNITS	THIRD ANGLE PROJECTION
			mm	INCH	MM ONLY	NTS	METRIC	
A	RELEASED EC NO: S2012-0660 DRWN:CTCHO 2012/02/28 CHKD:JNG 2012/02/28 APPR:SHONG 2012/03/22	$\nabla = 0$ $\nabla = 0$ $\nabla = 0$	4 PLACES	± ---	± ---	DRAWN BY	DATE	TITLE
			3 PLACES	± ---	± ---	CTCHO	2012/02/28	IMPACT POWER, 3 PAIR RIGHT ANGLE HEADER PRESS-FIT, W LOCK MOLEX INCORPORATED MATERIAL NO. SEE TABLE DOCUMENT NO. SD-78642-001 SHEET NO. 2 OF 2
			2 PLACES	± 0.25	± ---	CHECKED BY	DATE	
			1 PLACE	± ---	± ---	LNG	2012/02/28	
ANGULAR ± 1 °			APPROVED BY	DATE				
			DRAFT WHERE APPLICABLE MUST REMAIN WITHIN DIMENSIONS		SHONG	2012/03/22		



NOTES:

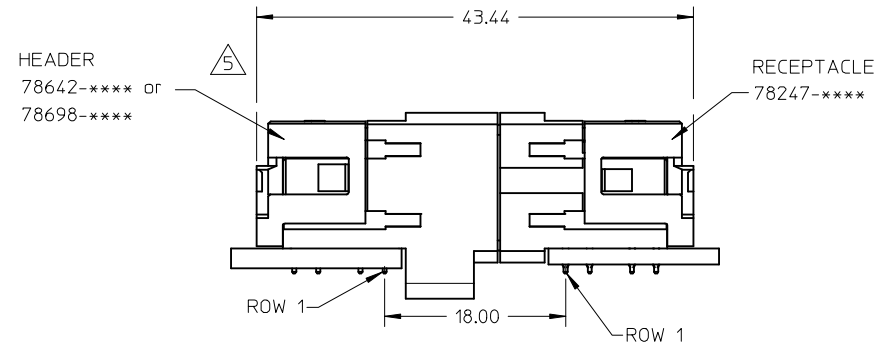
1. MATERIAL:
HOUSING - LCP, GLASS FILLED, UL94-V0, COLOR: BLACK
POWER PIN - COPPER ALLOY
2. FINISH OPTION:
TIN - 0.76µm MINIMUM GOLD AT CONTACT AND
2.54µm MINIMUM TIN AT SOLDER TAIL AREA OVER
1.27µm MINIMUM NICKEL UNDERPLATE OVERALL.
3. PRODUCT SPECIFICATION: PS-78213-001.
4. PACKAGING SPECIFICATION: PK-782642-001.
5. MATES WITH 78247-**** & 78212-****.
6. REFER TO SHEET 3 FOR RECOMMENDED PCB LAYOUT.
7. REFER TO MOLEX PRODUCT SPECIFICATION PS-78213-001 FOR PLATED THROUGH-HOLE SPECIFICATIONS.
8. PART NUMBER AND DATE CODE (YYDD) APPROXIMATELY SHOWN.
9. KEEP OUT ZONE FROM OTHER COMPONENTS.
10. THIS CONNECTOR IS SHIPPED WITH A WEDGE. THIS STUB SHALL BE INSERTED INTO THE CONNECTOR ONLY AFTER IT IS PRESS FITTED ONTO PCB.



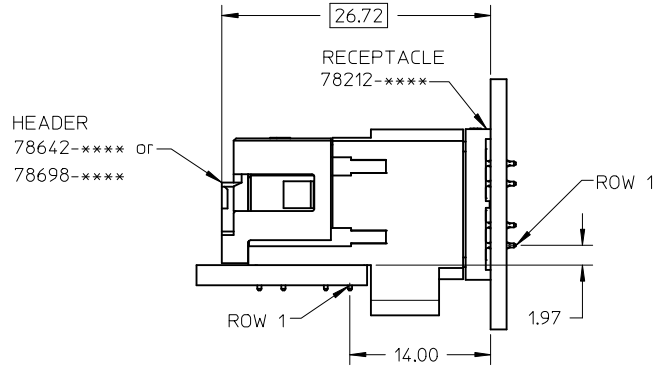
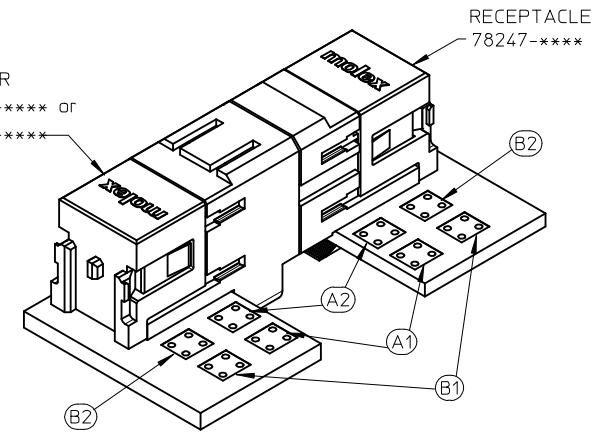
UPDATE PIN NO.: PG3 EC NO: SZ014-0340 DRW: HCGOH 2013/10/03 CHKD: JESSIE CHUA 2013/10/04 APPR: SHONG 2013/10/24	DESCRIPTION REV	QUALITY SYMBOLS	GENERAL TOLERANCES (UNLESS SPECIFIED)		DIMENSION STYLE		SCALE	DESIGN UNITS	THIRD ANGLE PROJECTION		
		$F_A = 0$ $F_G = 0$ $F_P = 0$	mm	INCH	MM ONLY		NTS	METRIC	DRAWN BY DATE LNG 2011/08/29 CHECKED BY DATE HCGOH 2013/06/12 APPROVED BY DATE SHONG 2013/06/13		TITLE IMPACT POWER, 3 PAIR RIGHT ANGLE HEADER PRESS-FIT, W LOCK molex DOCUMENT NO. SD-78642-002 SHEET NO. 1 OF 3
		4 PLACES ± --- ± --- 3 PLACES ± --- ± --- 2 PLACES ± 0.25 ± --- 1 PLACE ± --- ± --- 0 PLACE ± ±	ANGULAR ± 1 °		MATERIAL NO.		SEE TABLE		THIS DRAWING CONTAINS INFORMATION THAT IS PROPRIETARY TO MOLEX INCORPORATED AND SHOULD NOT BE USED WITHOUT WRITTEN PERMISSION		
		DRAFT WHERE APPLICABLE MUST REMAIN WITHIN DIMENSIONS		SIZE A3							

MATED SYSTEM OPTIONS WITH 78642/ 78698

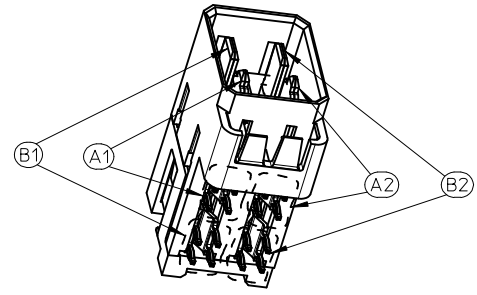
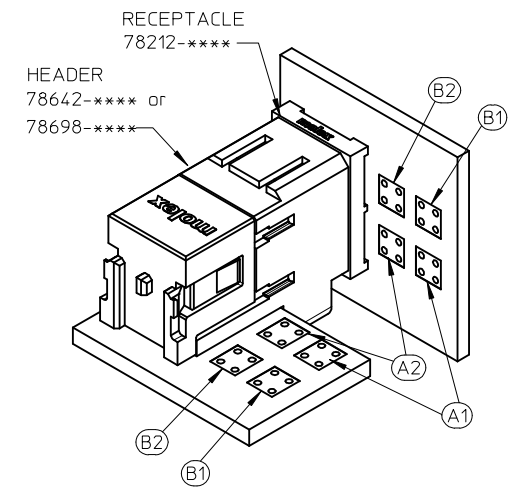
CIRCUIT PATH OF MATED SYSTEM



RIGHT ANGLE HEADER (78642 or 78698) & RIGHT ANGLE RECEPTACLE (78247)



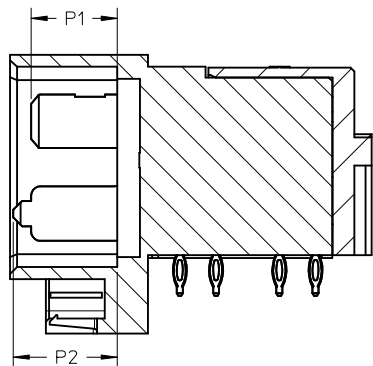
RIGHT ANGLE HEADER (78642 or 78698) & VERTICAL RECEPTACLE (78212)



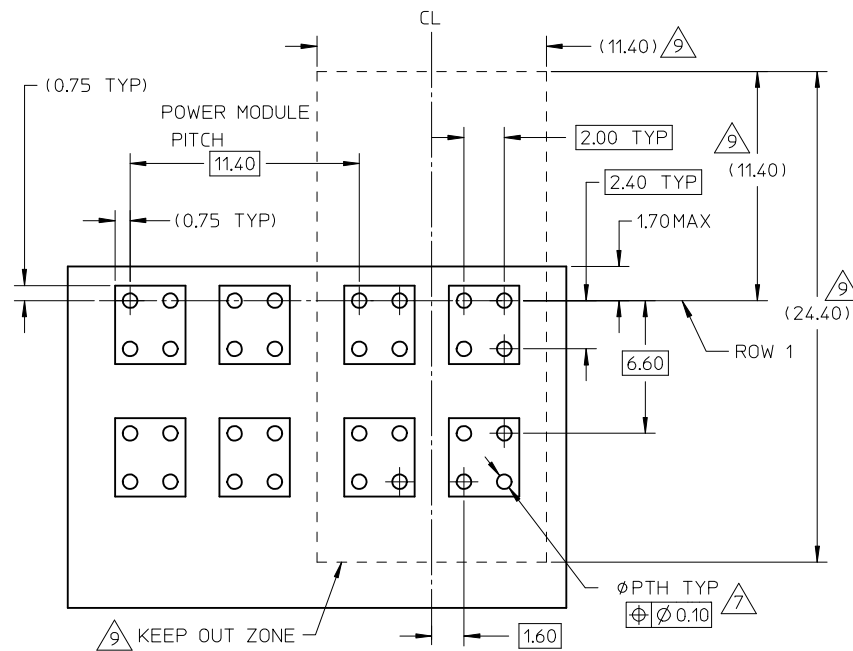
PIN NUMBER ASSIGNMENT BASED ON HEADER SIDE:
 A1, B1 ON THE LEFT,
 A2, B2 ON THE RIGHT.

UPDATE PIN NO.: PG3 EC NO: S2014-0340 DRWN:HCGOH 2013/10/03 CH'KD: JESSIECHUA 2013/10/04 APPR: SHONG 2013/10/24	QUALITY SYMBOLS $\nabla_F = 0$ $\nabla_E = 0$ $\nabla_D = 0$	GENERAL TOLERANCES (UNLESS SPECIFIED)		DIMENSION STYLE MM ONLY		SCALE NTS	DESIGN UNITS METRIC	THIRD ANGLE PROJECTION	
		4 PLACES \pm --- \pm ---	mm INCH	DRAWN BY LNG	DATE 2011/08/29	TITLE IMPACT POWER, 3 PAIR RIGHT ANGLE HEADER PRESS-FIT, W LOCK			
		3 PLACES \pm --- \pm ---		CHECKED BY HCGOH	DATE 2013/06/12	molex			
		2 PLACES ± 0.25 \pm ---		APPROVED BY SHONG	DATE 2013/06/13	MATERIAL NO. SEE TABLE	DOCUMENT NO. SD-78642-002	SHEET NO. 2 OF 3	
		1 PLACE \pm --- \pm ---		THIS DRAWING CONTAINS INFORMATION THAT IS PROPRIETARY TO MOLEX INCORPORATED AND SHOULD NOT BE USED WITHOUT WRITTEN PERMISSION					
		0 PLACE \pm \pm							
		ANGULAR $\pm 1^\circ$							
		DRAFT WHERE APPLICABLE MUST REMAIN WITHIN DIMENSIONS							

10	9	8	7	6	5	4	3	2	1
PCB THICKNESS	DIM A	PLATING OPTIONS	P1 (APPLIES TO B1 & B2)	P2 (APPLIES TO A1 & A2)	PART NUMBER	PACKAGING			
2.0mm to 3.00mm	3.60	TIN PLATING	6.90	6.90	78642-1011	TRAY			
			5.70	5.70	78642-1022				
			6.90	5.70	78642-1033				
			5.70	6.90	78642-1044				
2.75mm to 3.75mm	4.40	TIN PLATING	6.90	6.90	78698-1011				
			5.70	5.70	78698-1022				
			6.90	5.70	78698-1033				
			5.70	6.90	78698-1044				



SECTION Z-Z



(COMPONENT SIDE SHOWN)

RECOMMENDED PCB LAYOUT

UPDATE PIN NO., PG3 EC NO: S2014-0340 DRWN:HCGOH 2013/10/03 CH'KD: JESSIECHUA 2013/10/04 APPR: SHONG 2013/10/24	QUALITY SYMBOLS $\nabla=0$ $\nabla=0$ $\nabla=0$	GENERAL TOLERANCES (UNLESS SPECIFIED)		DIMENSION STYLE MM ONLY	SCALE NTS	DESIGN UNITS METRIC	THIRD ANGLE PROJECTION		
		4 PLACES \pm --- \pm --- 3 PLACES \pm --- \pm --- 2 PLACES \pm 0.25 \pm --- 1 PLACE \pm --- \pm --- 0 PLACE \pm --- \pm ---	mm INCH	DRAWN BY LNG	DATE 2011/08/29	TITLE IMPACT POWER, 3 PAIR RIGHT ANGLE HEADER PRESS-FIT, W LOCK			
		ANGULAR \pm 1 °		CHECKED BY HCGOH	DATE 2013/06/12				
		DRAFT WHERE APPLICABLE MUST REMAIN WITHIN DIMENSIONS		APPROVED BY SHONG	DATE 2013/06/13				