

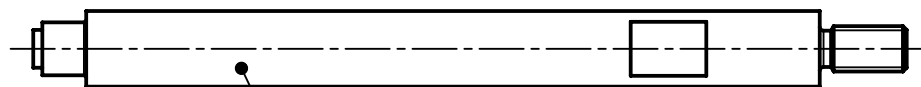
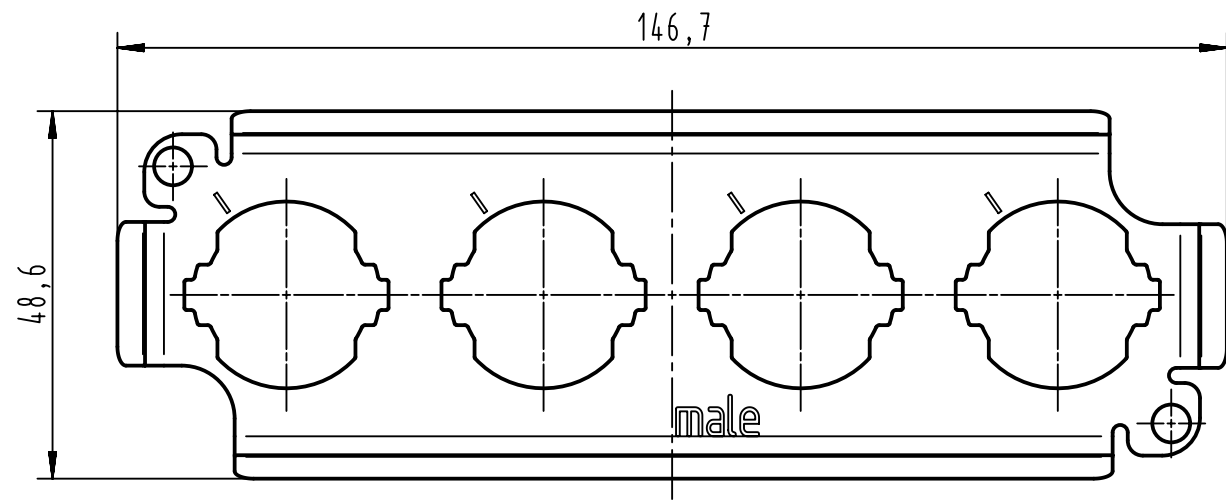
1 2 3 4 5 6

A

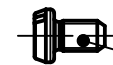
B

C

D



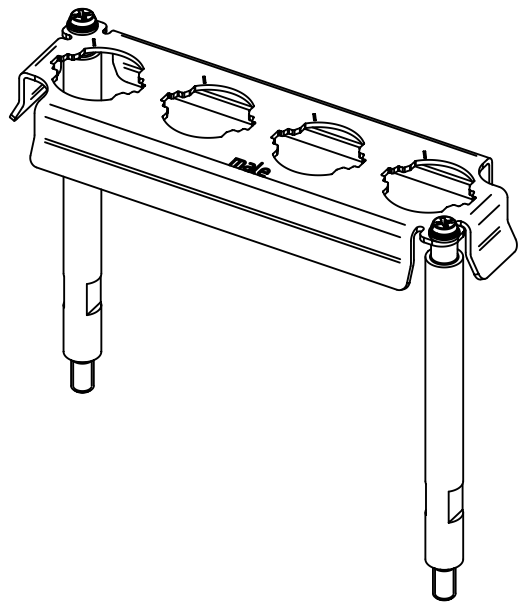
2x distance peg M6



2x screw M4



2x washer Sk S4



	All Dimensions in mm Original Size DIN A4	Scale 1:1			Free size tol.		Ref.
		Created by GRUBES		Inspected by SCHLEPP	Standardisation TIEMANNA	Date 2013-09-23	State Final Release
	All rights reserved Department EL PD - DE	Title Frame Han 24 HPR EasyCon male 4xHC250				Doc-Key / ECM-Nr. 100226802/UGD/004/B 500000066418	
		HARTING Electric GmbH & Co. KG D-32339 Espelkamp		Type TB	Number 09 40 024 9903		Rev. B