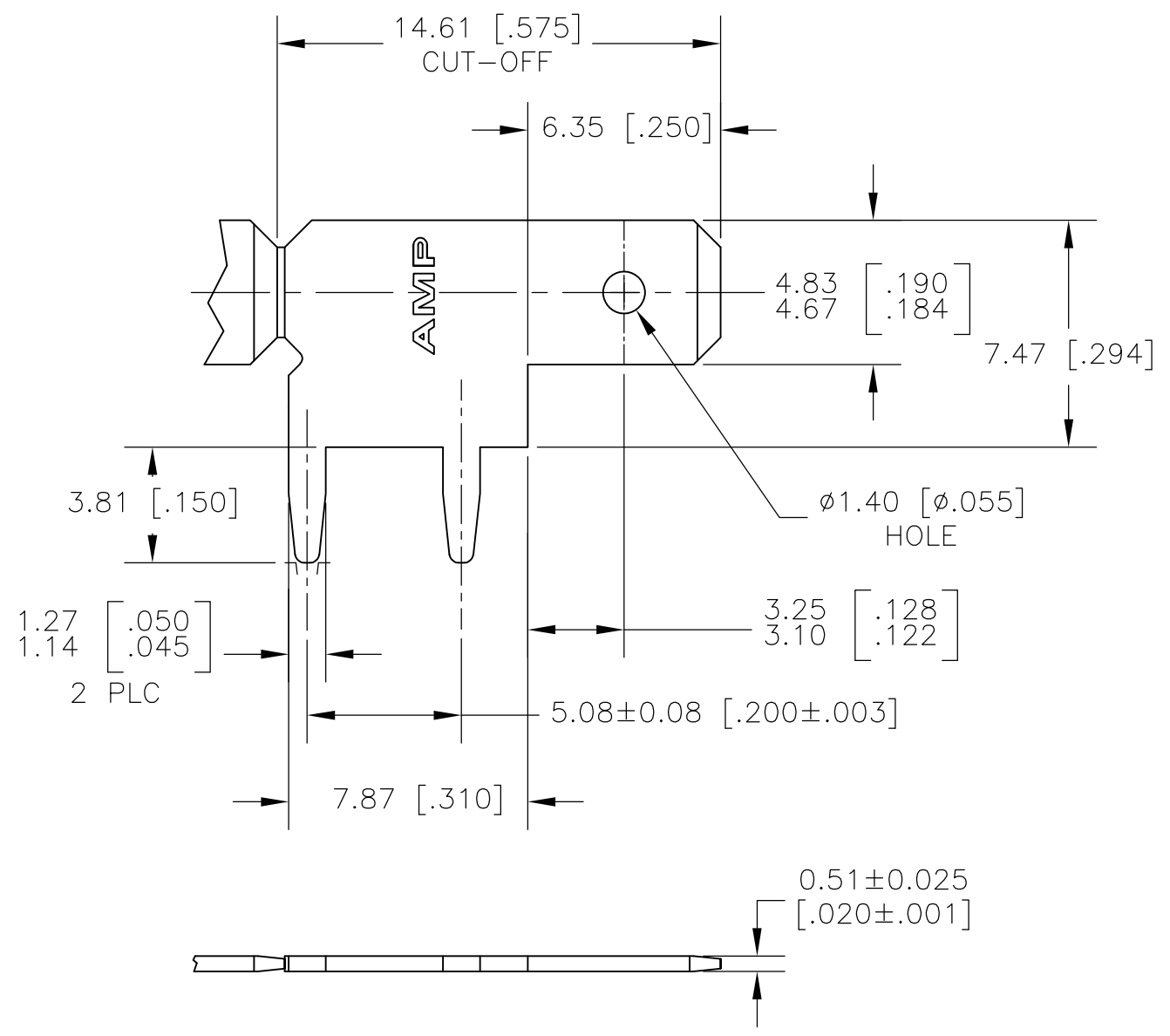
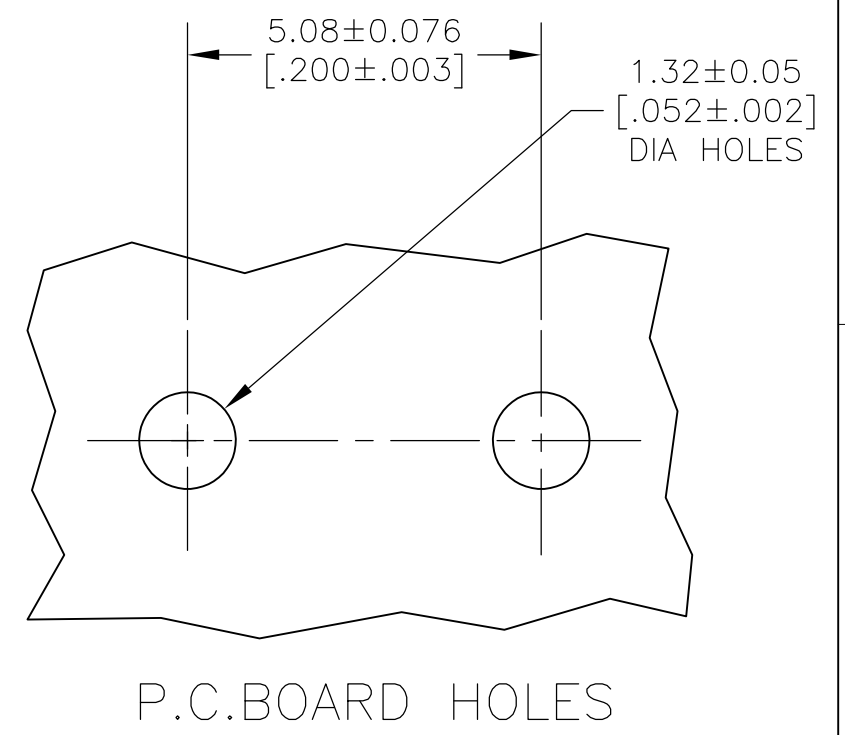


LOC	DIST	REVISIONS					
AF	50	P	LTR	DESCRIPTION	DATE	DWN	APVD
		D		REVISED PER ECR-13-001204	26JUN13	KH	PD



- 1 CONTINUOUS STRIP ON REELS.
- 2 0.00381 [.000150] MIN TIN OVER
0.00127 [.000050] MIN NICKEL.



1217062-1
PART NO.

THIS DRAWING IS A CONTROLLED DOCUMENT.		DWN	JR RUTH	11DEC00	TE Connectivity							
DIMENSIONS: mm[INCHES]		CHK	MS FEHER	11DEC00								
TOLERANCES UNLESS OTHERWISE SPECIFIED:		APVD	G PORTA	11DEC00	NAME							
0 PLC ± - 1 PLC ± - 2 PLC ± 0.25 [.010] 3 PLC ± - 4 PLC ± - ANGLES ± -		PRODUCT SPEC		TAB, FASTON, 4.75 [.187] SERIES								
MATERIAL	BRASS	FINISH	APPLICATION SPEC 114-2115		SIZE	A3	CAGE CODE	00779	DRAWING NO	C-1217062	RESTRICTED TO	-
		WEIGHT -		CUSTOMER DRAWING		SCALE	5:1	SHEET	1 OF 1	REV	D	