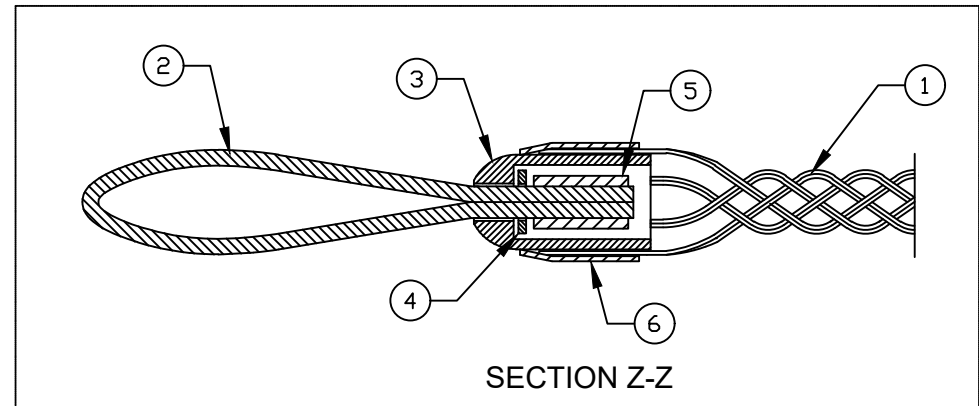
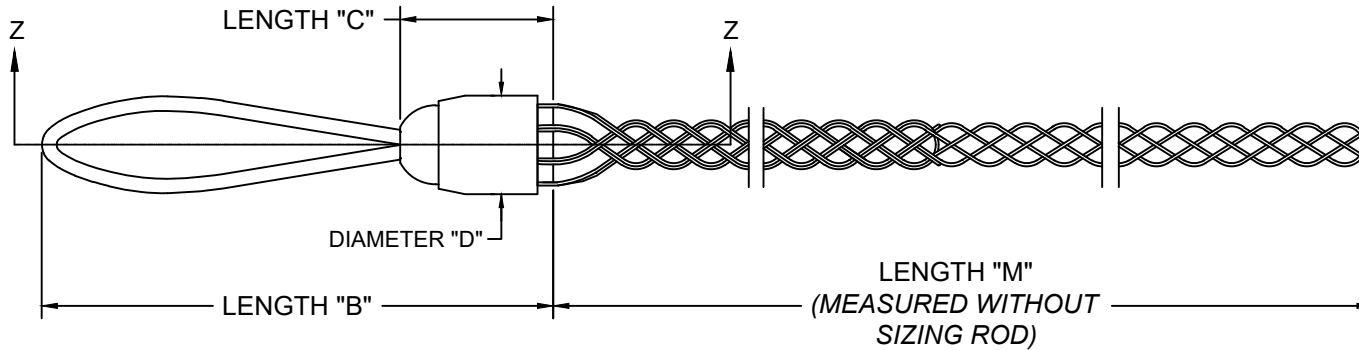


CATALOG NUMBER	MATERIAL NUMBER	CABLE RANGE	LENGTH "M"	LENGTH "B"	LENGTH "C" REF.	DIAMETER "D" REF.	APPROXIMATE BREAK STRENGTH (LBS/N)	UL LISTED	CSA APPROVED
36660	-----	.100-.200 / 2.54-5.08	9.00±0.75 / 228.6±19.1	5.50±0.25 / 139.7±6.4	1.40 / 35.6	.80 / 20.3	1000 / 4448	NO	YES
36662	1300950298	.320-.480 / 8.13-12.19	18.00±1.00 / 457.2±25.4	5.75±0.25 / 146.1±6.4	1.40 / 35.6	.90 / 22.9	2200 / 9786		
36664	1300950300	.530-.740 / 13.46-18.80	24.00±1.25 / 609.6±31.8	6.25±0.25 / 158.8±6.4	1.49 / 37.8	1.15 / 29.2	3300 / 14679		
36665	1300950301	.640-.875 / 16.26-22.23	27.00±1.25 / 685.8±31.8	6.25±0.25 / 158.8±6.4	1.49 / 37.8	1.15 / 29.2	4700 / 20907		



ITEM	DESCRIPTION	MATERIAL
1	WIRE MESH	GALVANIZED STEEL
2	BALE WIRE	GALVANIZED STEEL
3	BALE NOSE	STEEL
4	WASHER	NYLATRON
5	SWAGING FERRULE	STEEL
6	OUTER RING	STEEL

FUNCTIONAL SYMBOLS										THIS DRAWING CONTAINS INFORMATION THAT IS PROPRIETARY TO MOLEX ELECTRONIC TECHNOLOGIES, LLC AND SHOULD NOT BE USED WITHOUT WRITTEN PERMISSION									
DIMENSION UNITS					SCALE					CURRENT REV DESC: OBSOLETE PART NUMBER AS PER PCN#510808									
INCH/MM					NTS					<p>molex</p> <p>PULLING GRIPS FIBER OPTIC ROTATING EYE</p> <p>PRODUCT CUSTOMER DRAWING</p>									
GENERAL TOLERANCES (UNLESS SPECIFIED)																			
					mm					INCH									
4 PLACES ± ----					± ----					EC NO: 736640									
3 PLACES ± ----					± 0.005					DRWN: SUGEEB 2022/12/21									
2 PLACES ± 0.13					± 0.01					CHK'D: LIKITV 2023/02/14									
1 PLACE ± 0.25					± 0.01					APPR: GGA 2023/02/16									
0 PLACES ± ----					± ----					INITIAL REVISION:									
ANGULAR TOL ± 0.5 °										DRWN: HRUIZ01 2015/03/19									
DRAFT WHERE APPLICABLE MUST REMAIN WITHIN DIMENSIONS					THIRD ANGLE PROJECTION					APPR: JFMURPHY 2015/06/12									
					DRAWING					SERIES									
					A-SIZE					130095									
DOCUMENT STATUS					P1					RELEASE DATE					2023/02/16 05:36:36				
DOCUMENT NUMBER					DOC TYPE					DOC PART					REVISION				
SD-130095-118					PSD					001					A1				
MATERIAL NUMBER					CUSTOMER					SHEET NUMBER									
SEE TABLE					GENERAL MARKET					1 OF 1									