

THIS DRAWING IS UNPUBLISHED.

RELEASED FOR PUBLICATION

20

© COPYRIGHT 20 BY -

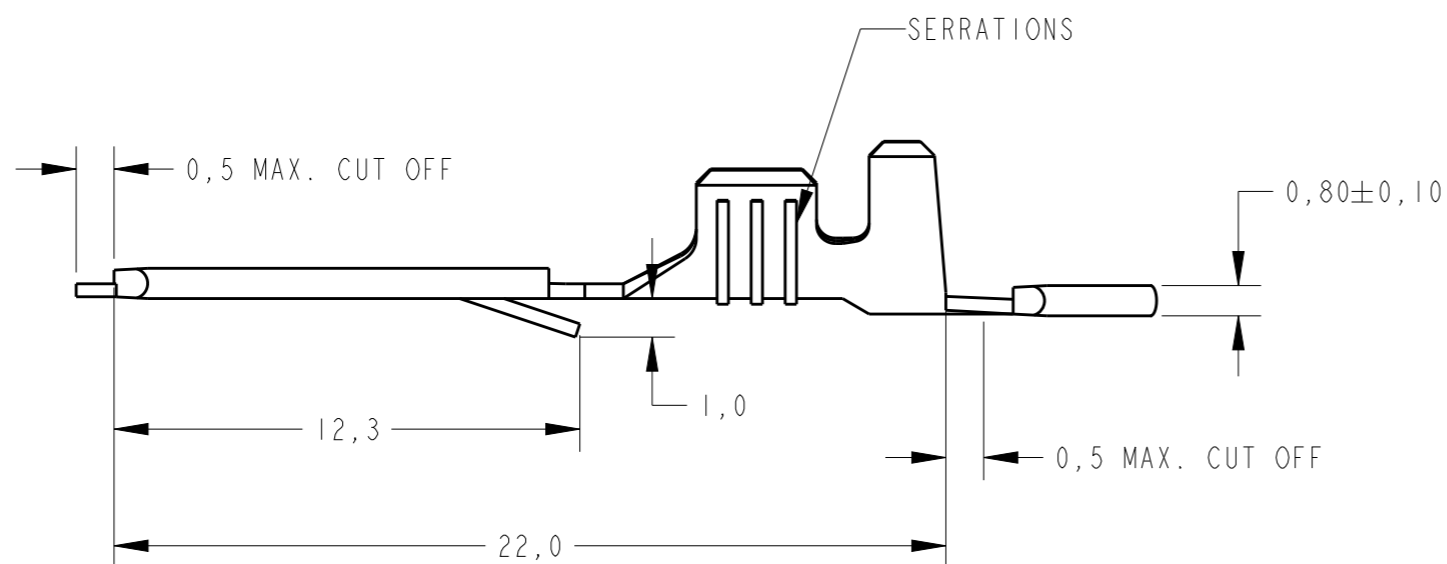
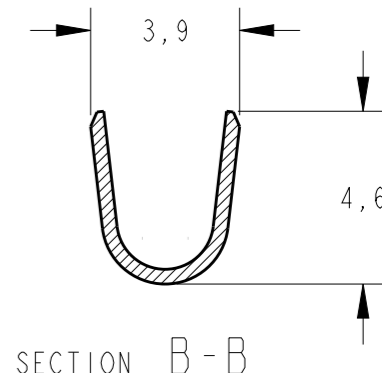
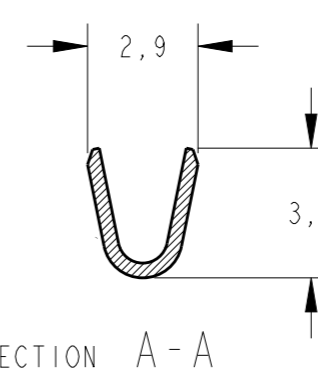
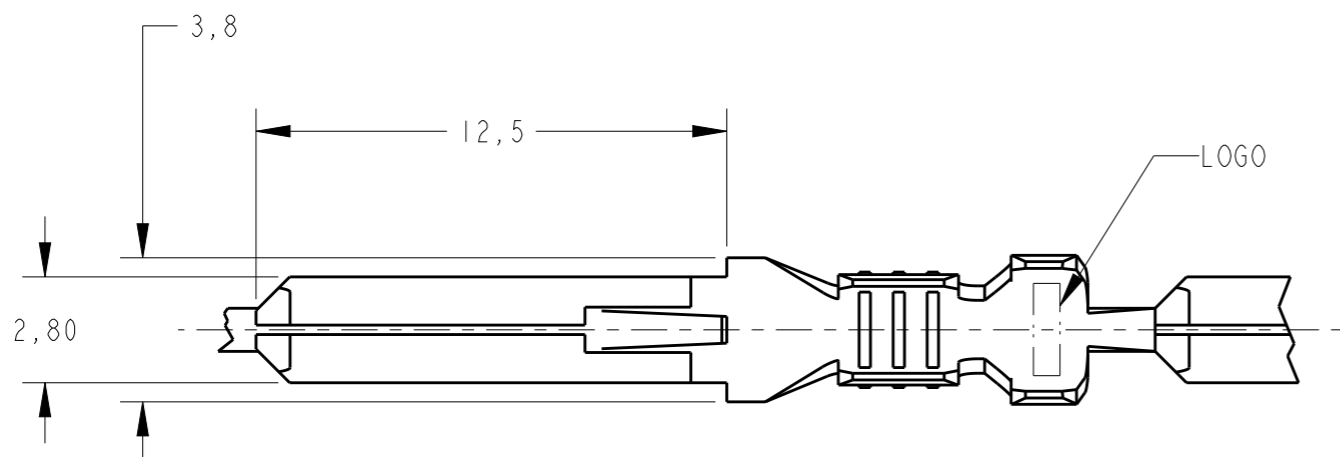
ALL RIGHTS RESERVED.

LOC  
AP

DIST  
-

REVISIONS

P	LTR	DESCRIPTION	DATE	DWN	APVD
D2		REDRAW ECO 14-013260	30SEP2014	HC	WLS
D3		REVISED BY ECO 16-005803	28JUN2016	HC	WLS



FINISH	MATERIAL	PART NUMBER
TINPLATED	BRASS	160719-4
UNPLATED		160719-3
TINPLATED	PH. BRONZE	160719-2
UNPLATED		160719-1

THIS DRAWING IS A CONTROLLED DOCUMENT.

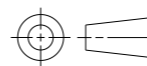
DWN 30SEP2014  
H.C. CANTERI  
CHK 30SEP2014  
W.L. STEFANI  
APVD -



NAME .110 SRS. FASTIN-FASTON TAB

WIRE RANGE  
0,5-1,43mm<sup>2</sup>

DIMENSIONS:  
mm



TOLERANCES UNLESS OTHERWISE SPECIFIED:

0 PLC	± -
1 PLC	± 0,3
2 PLC	± -
3 PLC	± -
4 PLC	± -
ANGLES	± 1°

INS. RANGE  
2,3-3,0 DIA.

MATERIAL -

FINISH -

PRODUCT SPEC 108-37015  
APPLICATION SPEC 114-2065  
WEIGHT -

SIZE	CAGE CODE	DRAWING NO	RESTRICTED TO
A3	00779	160719	-

Customer Drawing SCALE 4/1 SHEET 1 OF 1 REV D3