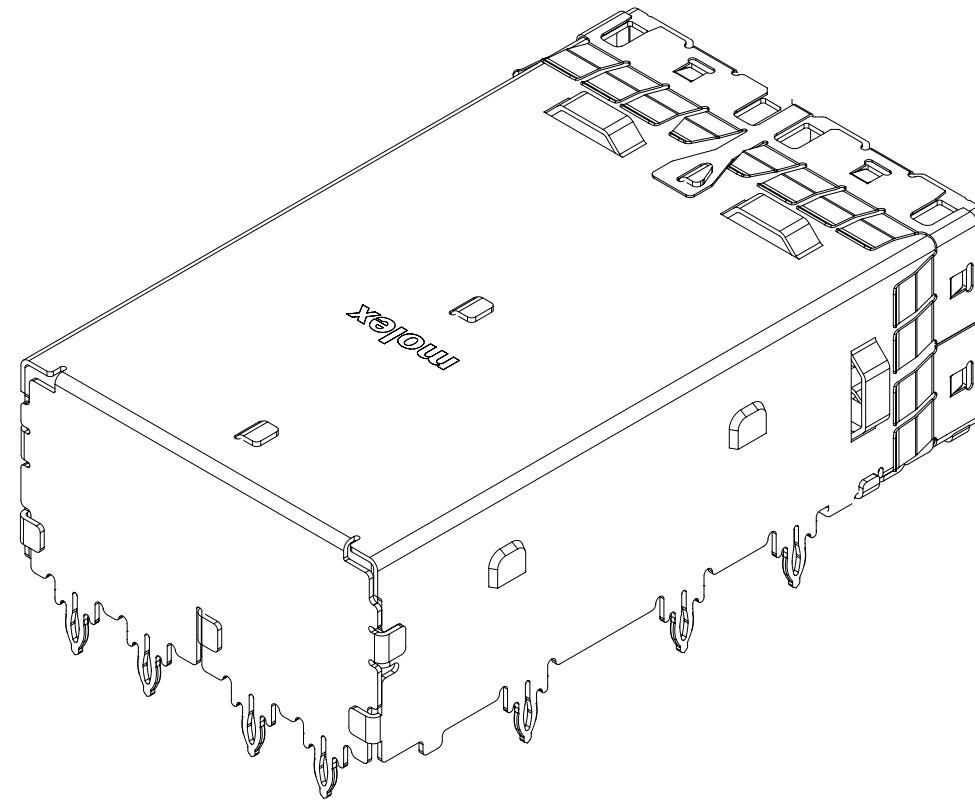
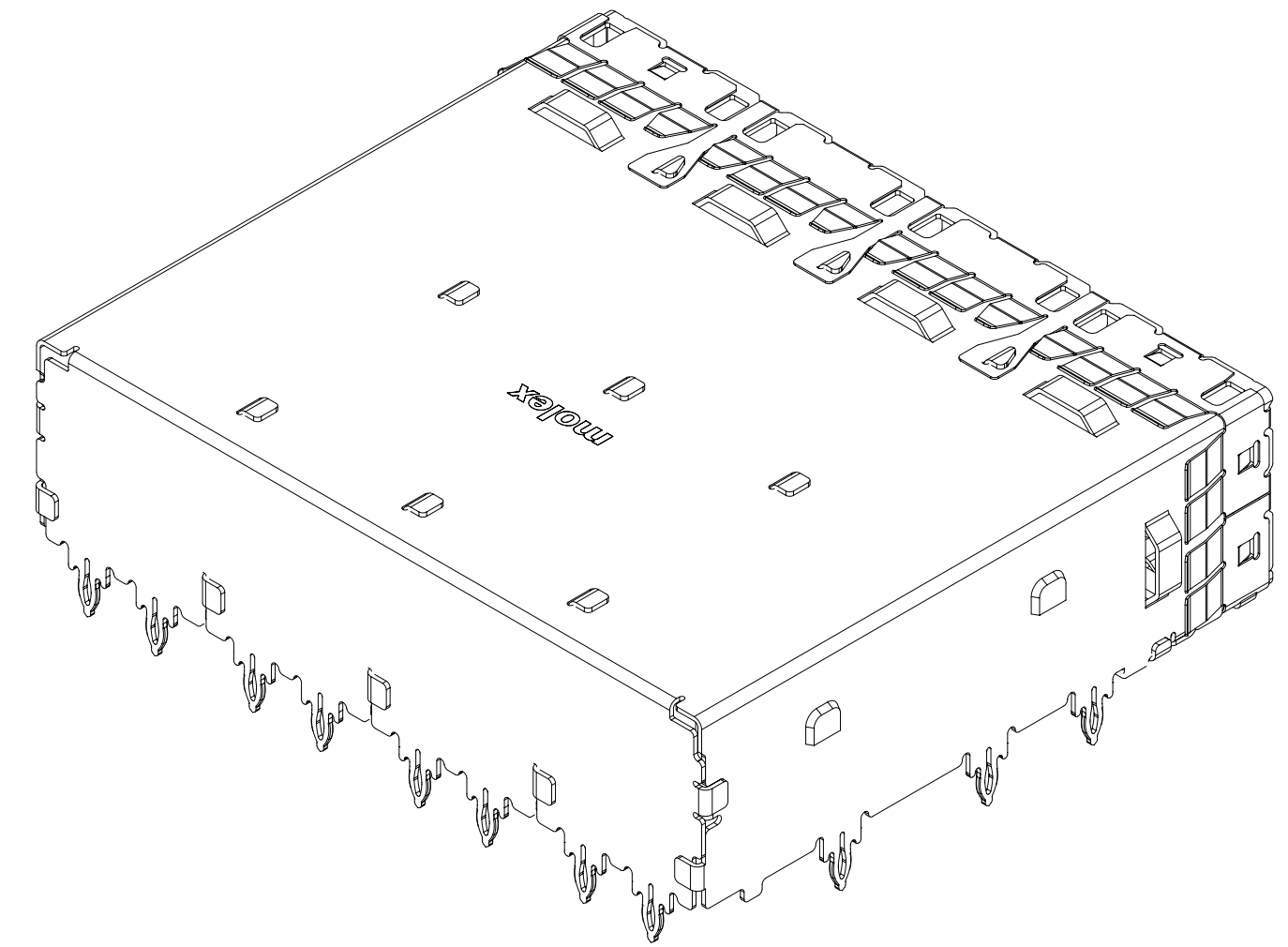


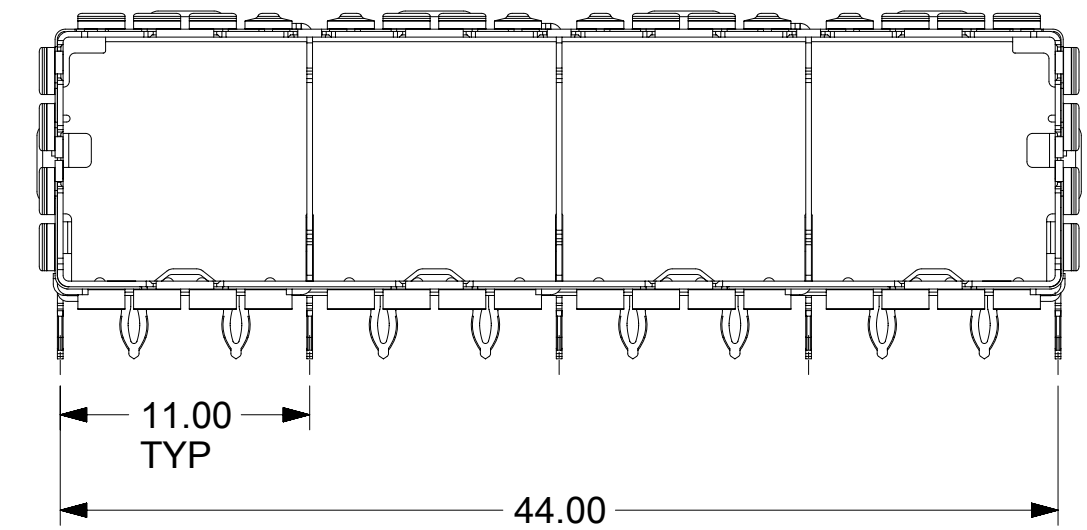
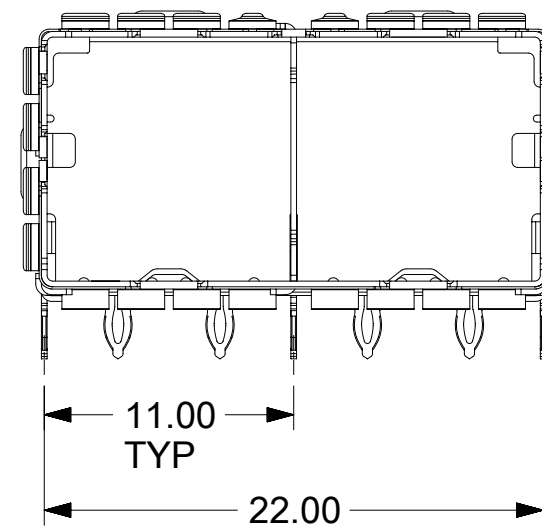
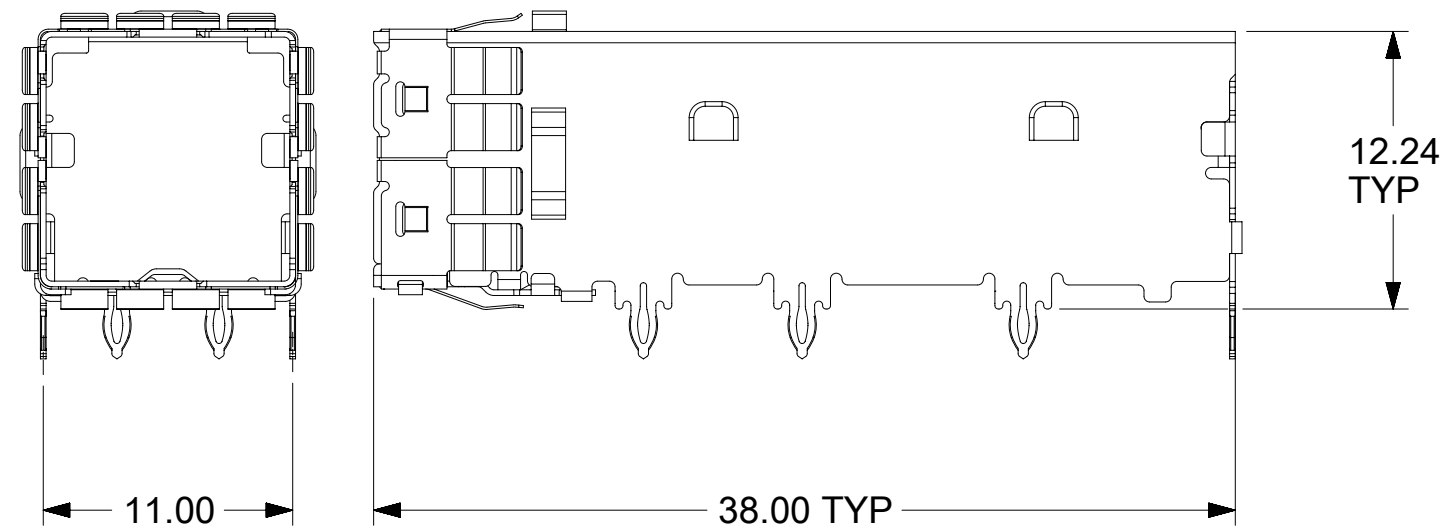
1X1



1X2



1X4



- NOTES:
- MATERIALS:
EMI CAGE: STAINLESS STEEL
EMI FINGERS: COPPER ALLOY
 - FINISHES:
EMI FINGERS: 0.50µM MIN NICKEL
 - FOR FOOTPRINT AND ASSEMBLY INFORMATION REFER TO SALES DRAWING: PDD 1724731111
 - MOUNTING INFORMATION REFER TO APPLICATION SPECIFICATION 1724730001
 - PACKAGING SPECIFICATION: PDD 1724738000
 - THIS PART CONFORMS TO CLASS C REQUIREMENTS OF MOLEX COSMETIC SPECIFICATION PS-45499-002

CONFIGURATION	MATERIAL NUMBER
1X1	1724735001
1X2	1724735002
1X4	1724735004

THIS DRAWING CONTAINS INFORMATION THAT IS PROPRIETARY TO MOLEX ELECTRONIC TECHNOLOGIES, LLC AND SHOULD NOT BE USED WITHOUT WRITTEN PERMISSION									
SYMBOLS		DIMENSION UNITS		SCALE		CURRENT REV DESC:			
▽ = 0	mm	3:1				EC NO: 178504			
▽ = 0	GENERAL TOLERANCES (UNLESS SPECIFIED)					DRWN: AKOLAK 2018/06/28			
▽ = 0	ANGULAR TOL ± 1.0°					CHK'D: TMCLELLAND 2018/06/28			
▽ = 0	4 PLACES ±					APPR: TMCLELLAND 2018/06/28			
▽ = 0	3 PLACES ± 0.1					INITIAL REVISION:			
▽ = 0	2 PLACES ± 0.15					DRWN: AKOLAK 2018/04/10			
▽ = 0	1 PLACE ± 0.25					APPR: TMCLELLAND 2018/06/27			
▽ = 0	0 PLACES ±					THIRD ANGLE PROJECTION		DRAWING SERIES	
▽ = 0	DRAFT WHERE APPLICABLE MUST REMAIN WITHIN DIMENSIONS					C-SIZE		172473	
DOCUMENT STATUS		P1		RELEASE DATE		2018/06/28 19:22:27		MATERIAL NUMBER	
12		11		10		9		SEE TABLE	
12		11		10		9		CUSTOMER	
12		11		10		9		GENERAL MARKET	
12		11		10		9		SHEET NUMBER	
12		11		10		9		1 OF 1	

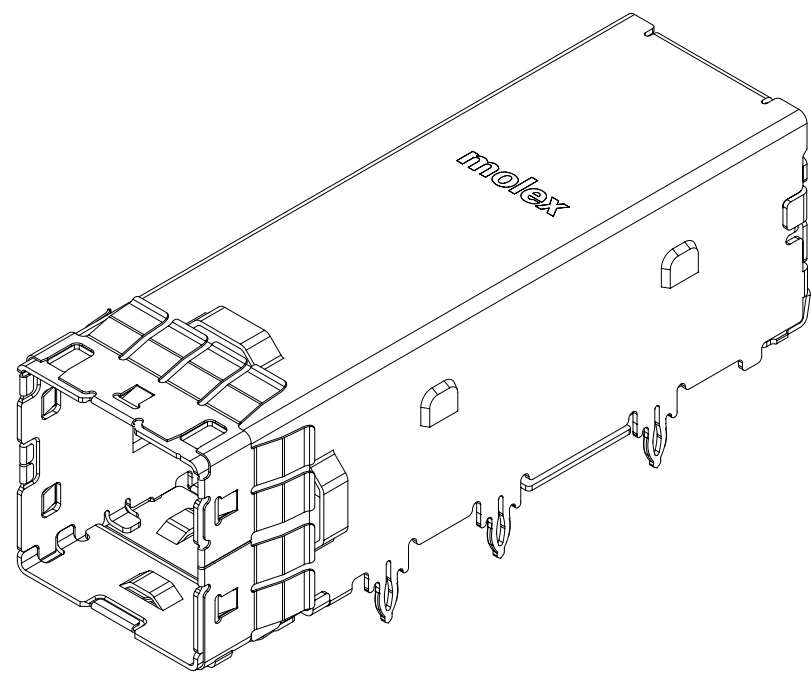
molex

IPASS ZHD RA SMT EXTERNAL CAGE SD

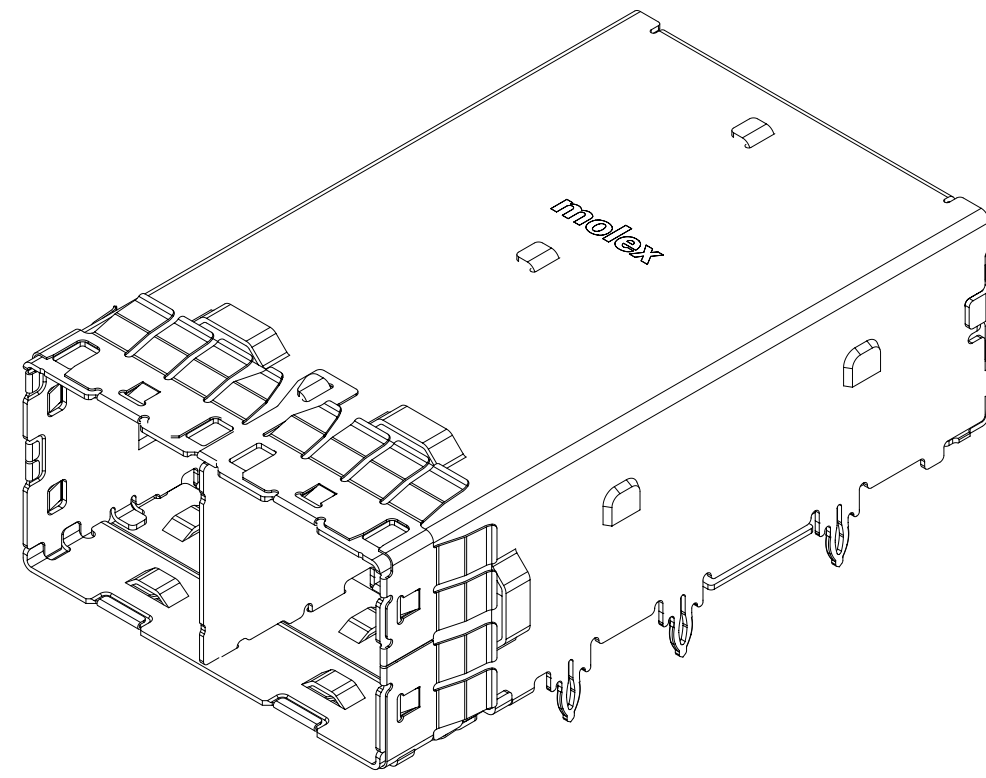
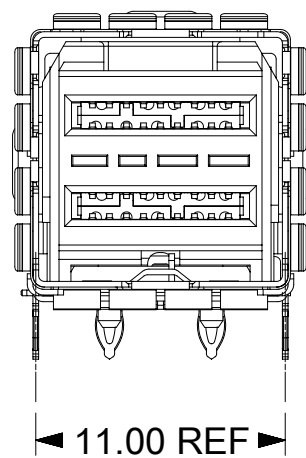
PRODUCT CUSTOMER DRAWING

DOCUMENT NUMBER: 1724730012 | DOC TYPE: PSD | DOC PART: 000 | REVISION: A1

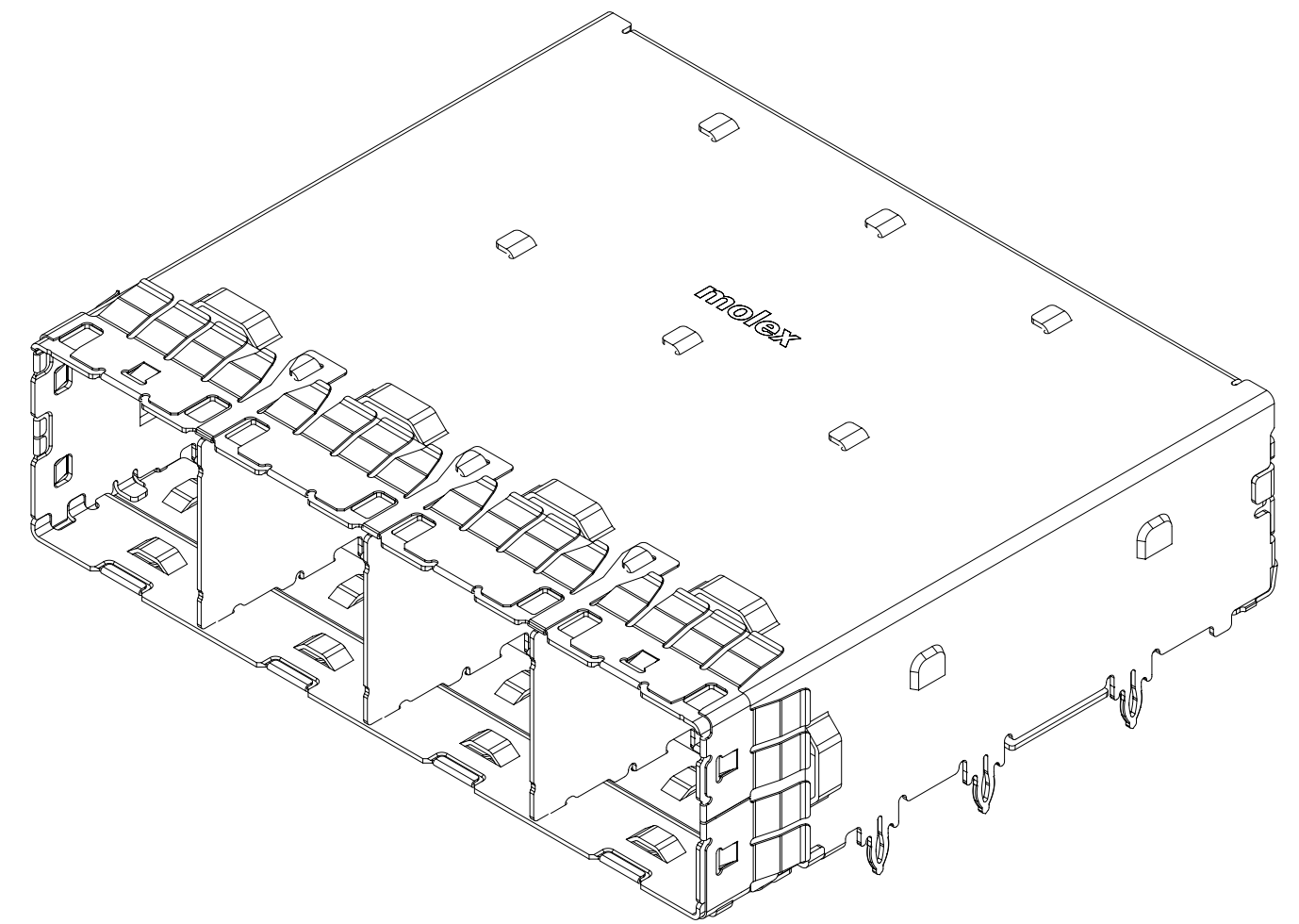
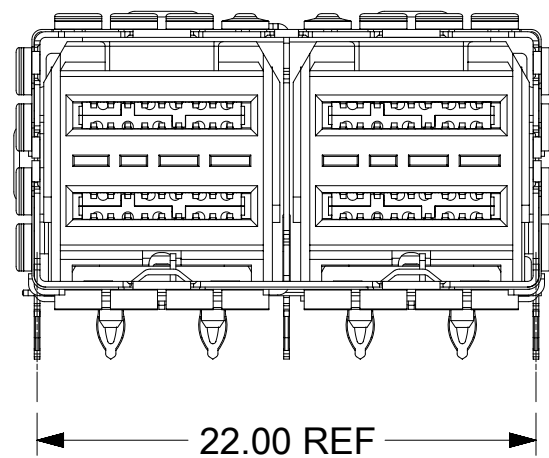
MATERIAL NUMBER: SEE TABLE | CUSTOMER: GENERAL MARKET | SHEET NUMBER: 1 OF 1



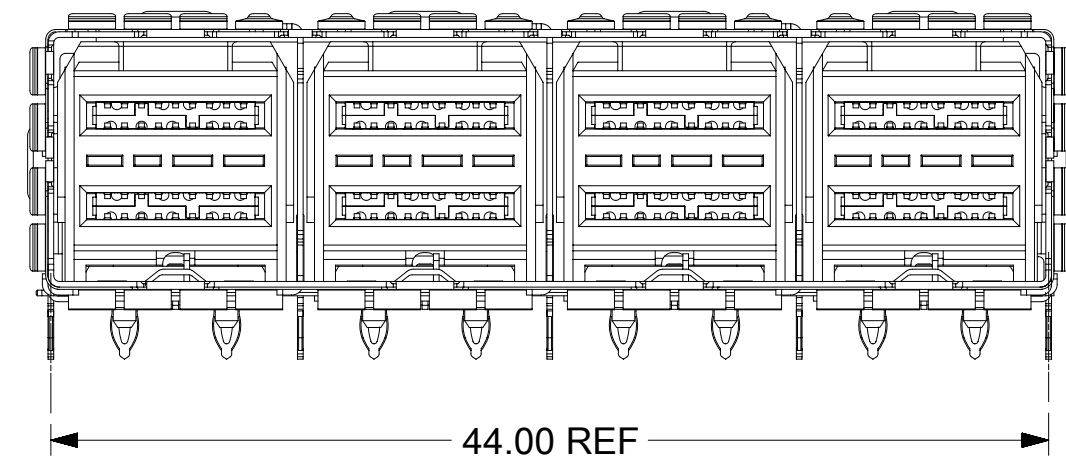
1 X 1



1 X 2



1 X 4



CONFIGURATION	MATERIAL NUMBER	
	CAGE	CONNECTOR
1 x 1	1724735001	1724736001 (1X)
1 x 2	1724735002	1724736001 (2X)
1 x 4	1724735004	1724736001 (4X)

NOTES:

1. FOR CONNECTOR DETAILS REFER TO SALES DRAWING: PSD 1724730011
2. FOR CAGE DETAILS REFER TO SALES DRAWING: PSD 1724730012
3. PRODUCT SPECIFICATION: 1724730011
4. MOUNTING INFORMATION: REFER TO APPLICATION SPECIFICATION: 1724730001
5. MATES WITH: MOLEX CABLE SERIES 111068, 111073, 111074, & 111075
6. PLUG MODULE PCB LAYOUT REFER TO SD-76866-9900
7. THIS PART CONFORMS TO CLASS C REQUIREMENTS OF MOLEX COSMETIC SPECIFICATION PS-45499-002

SYMBOLS		THIS DRAWING CONTAINS INFORMATION THAT IS PROPRIETARY TO MOLEX ELECTRONIC TECHNOLOGIES, LLC AND SHOULD NOT BE USED WITHOUT WRITTEN PERMISSION	
DIMENSION UNITS	SCALE	CURRENT REV DESC:	
= 0	mm	3:1	
= 0	GENERAL TOLERANCES (UNLESS SPECIFIED)		
= 0	ANGULAR TOL	±	°
= 0	4 PLACES	±	
= 0	3 PLACES	±	0.1
= 0	2 PLACES	±	0.15
= 0	1 PLACE	±	0.25
= 0	0 PLACES	±	
= 0	DRAFT WHERE APPLICABLE MUST REMAIN WITHIN DIMENSIONS		
= 0	THIRD ANGLE PROJECTION	DRAWING	SERIES
		C-SIZE	172473
		EC NO: 636348	
		DRWN: AKOLAK	2020/04/22
		CHK'D: VSHAH	2020/04/27
		APPR: VSHAH	2020/04/27
		INITIAL REVISION:	
		DRWN: AKOLAK	2017/11/10
		APPR: TMCLELLAND	2018/06/27
		DOCUMENT NUMBER	DOC TYPE DOC PART REVISION
		1724731111	PSD 001 B2
		MATERIAL NUMBER	CUSTOMER
		SEE TABLE	GENERAL MARKET
			SHEET NUMBER
			1 OF 9

molex

IPASS RA SMT EXTERNAL SD

PRODUCT CUSTOMER DRAWING

DOCUMENT NUMBER | DOC TYPE | DOC PART | REVISION

1724731111 | PSD | 001 | B2

MATERIAL NUMBER | CUSTOMER

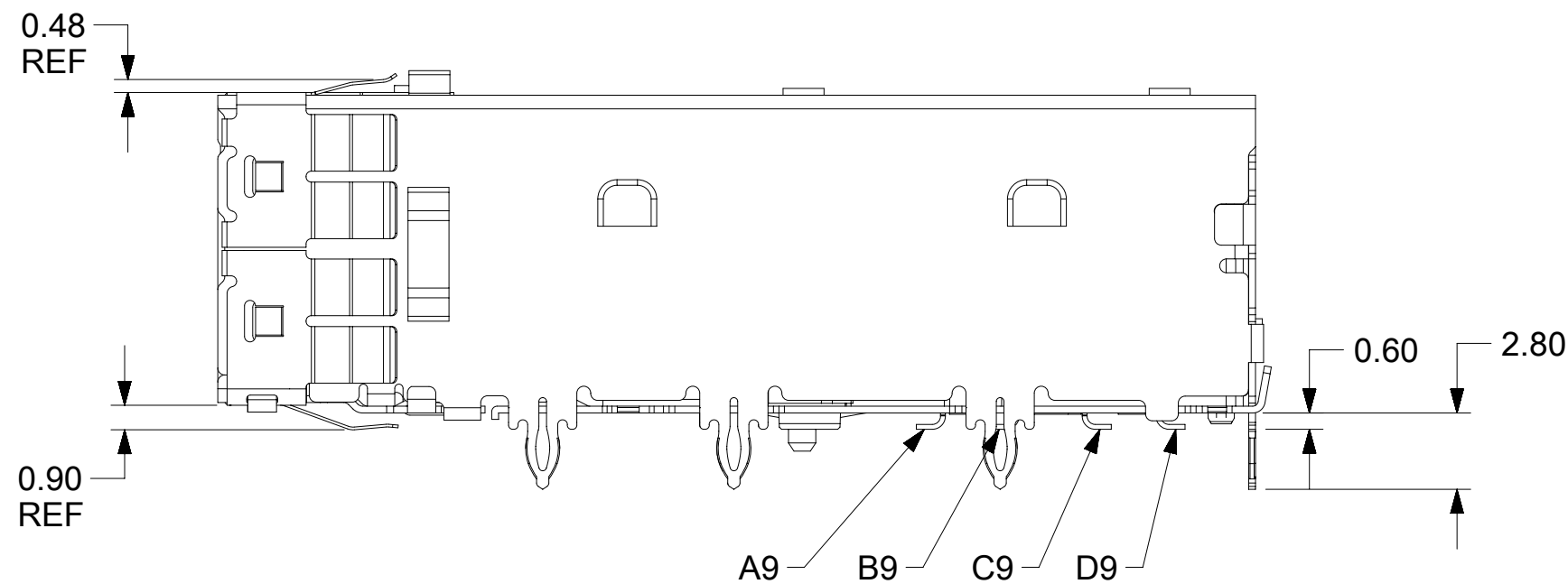
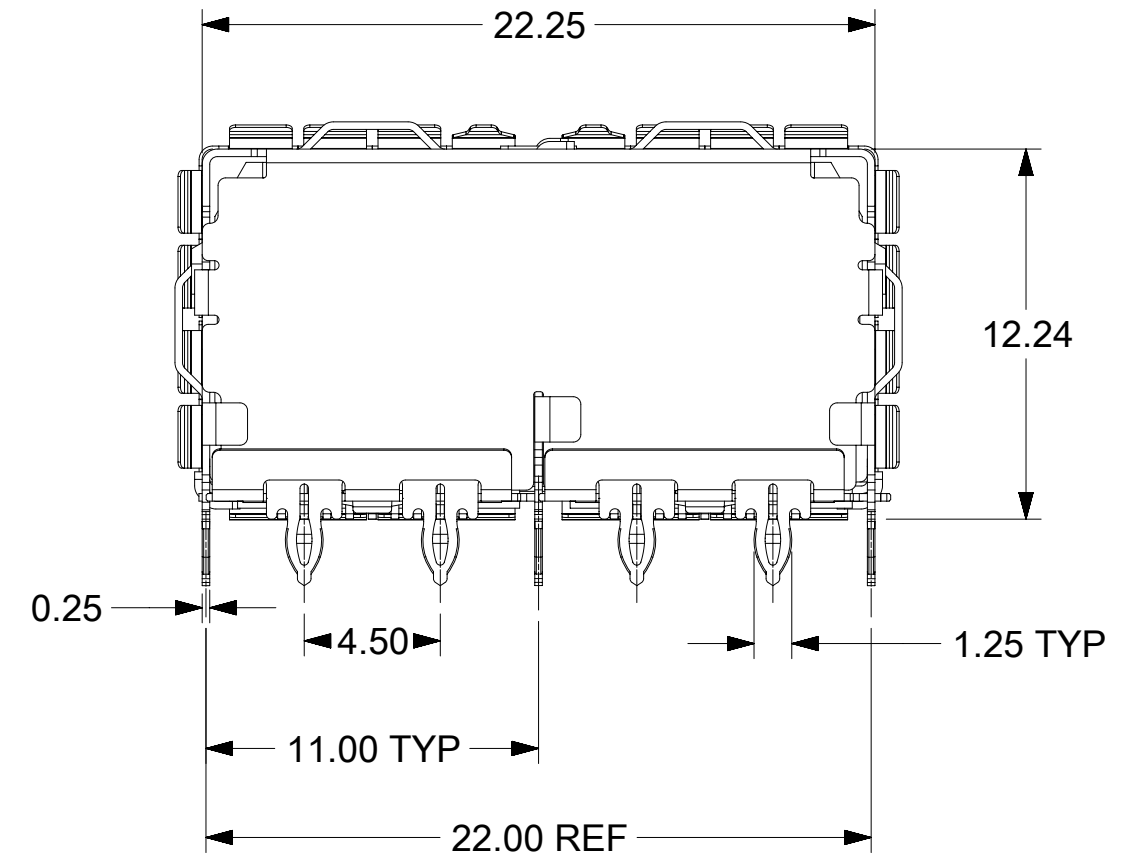
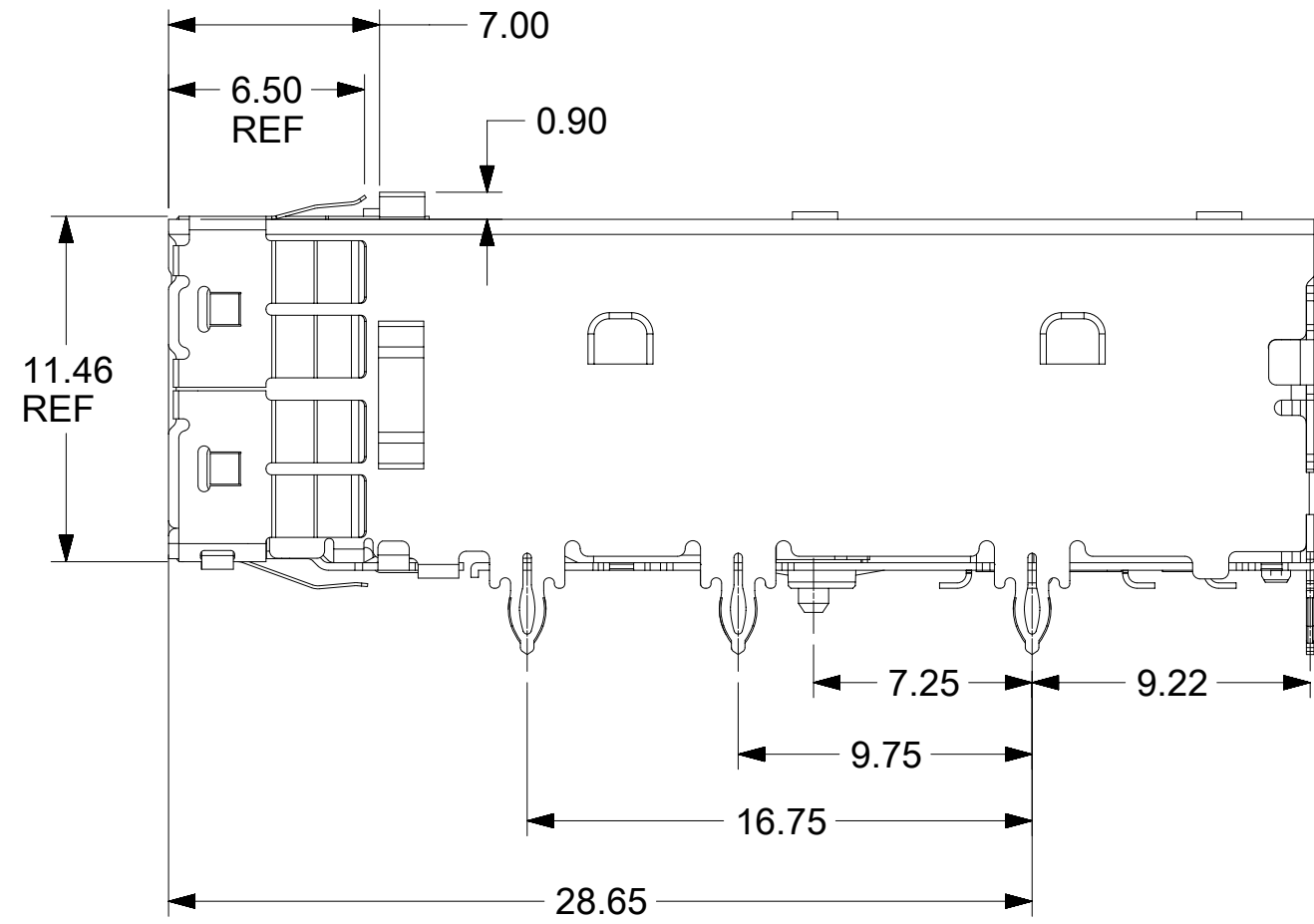
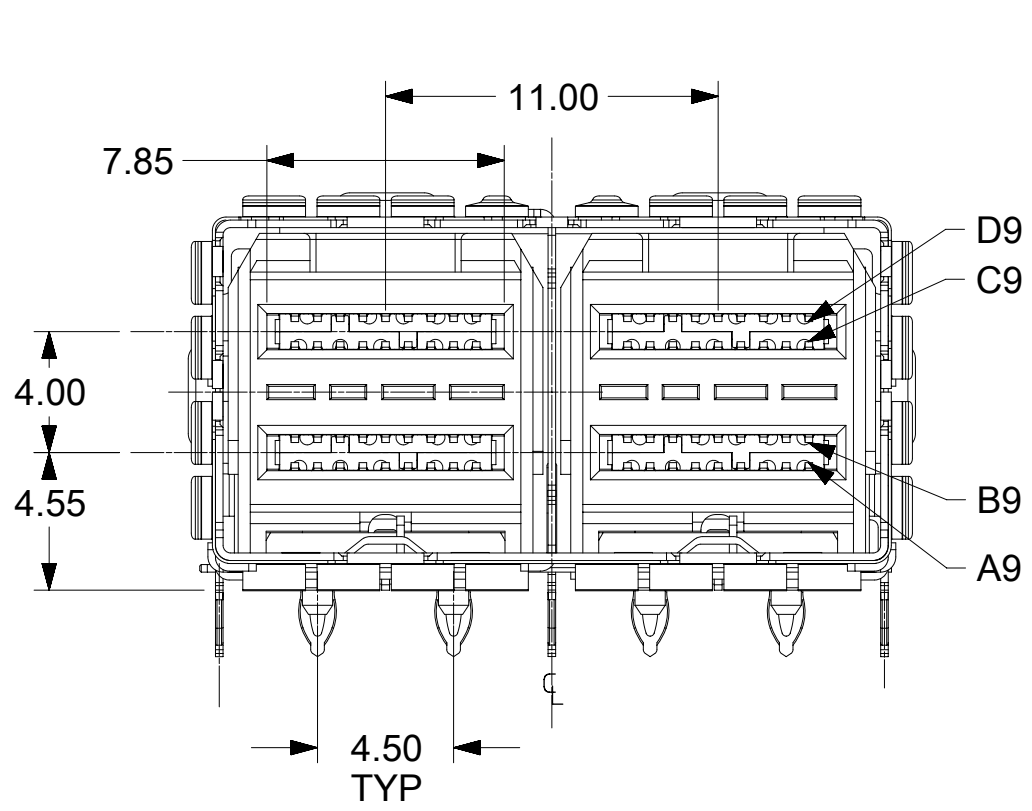
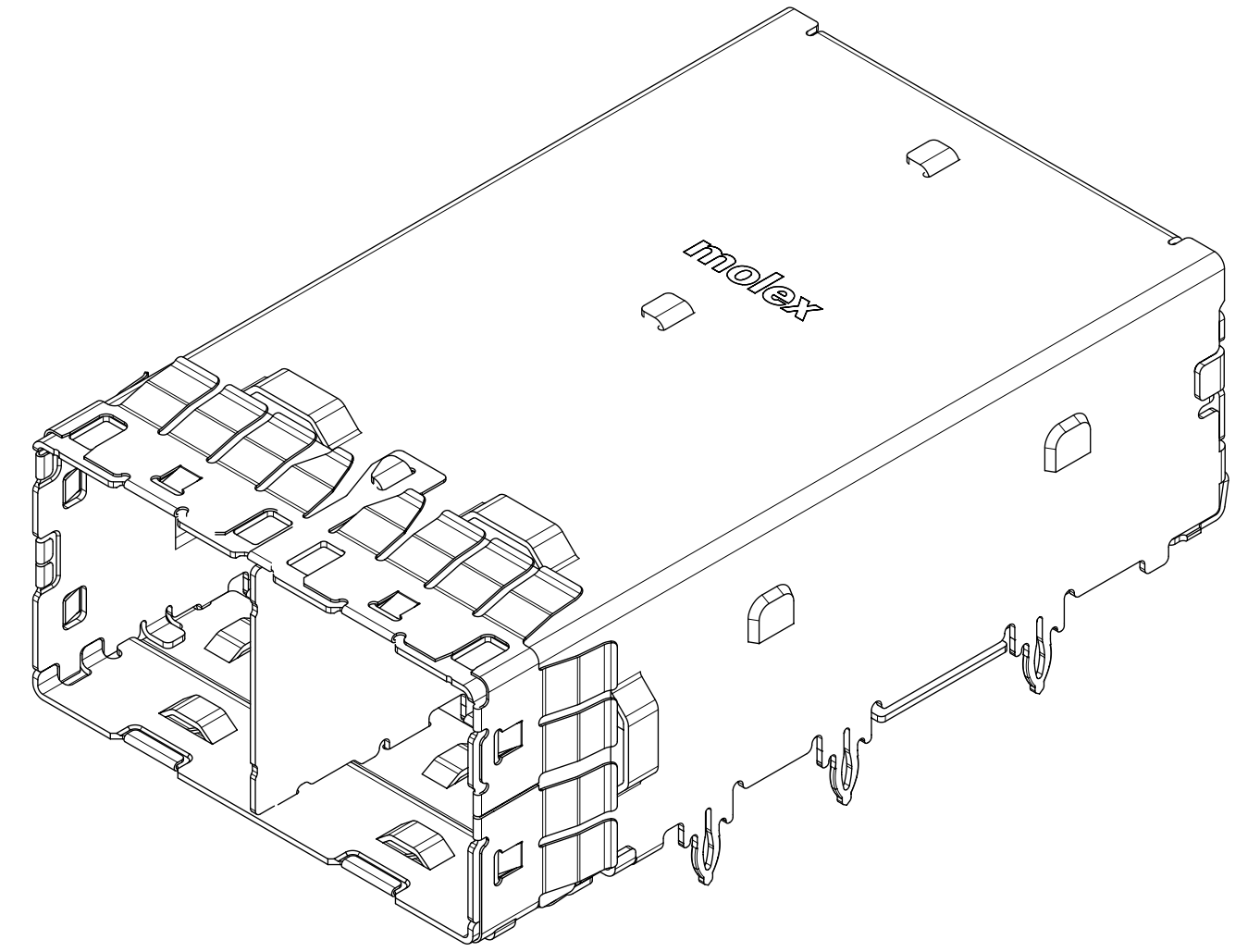
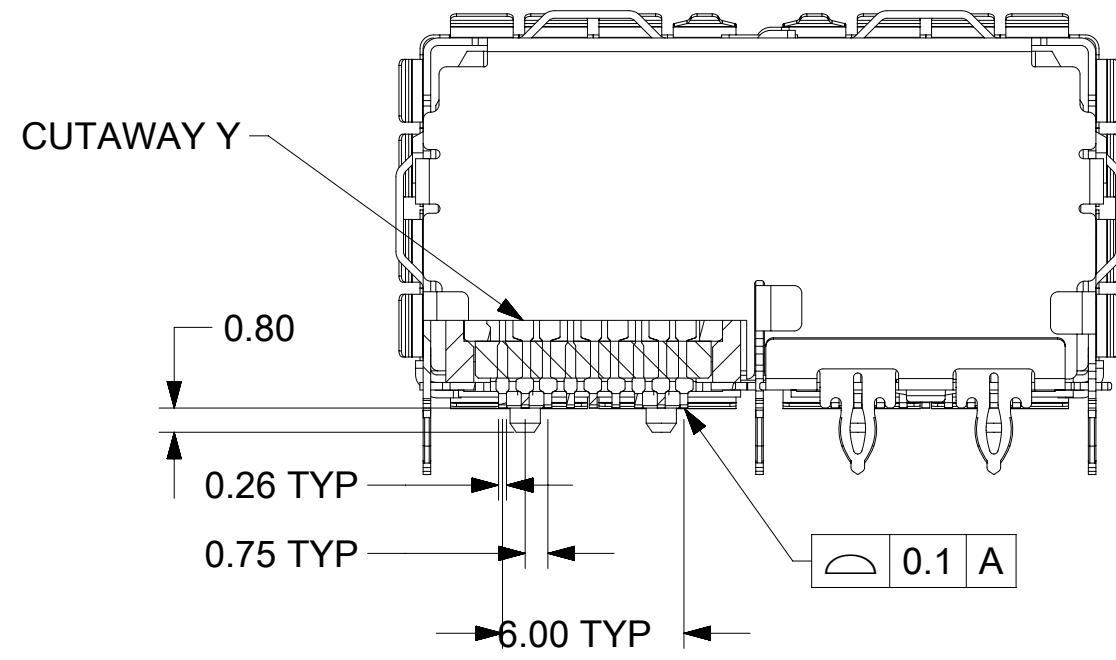
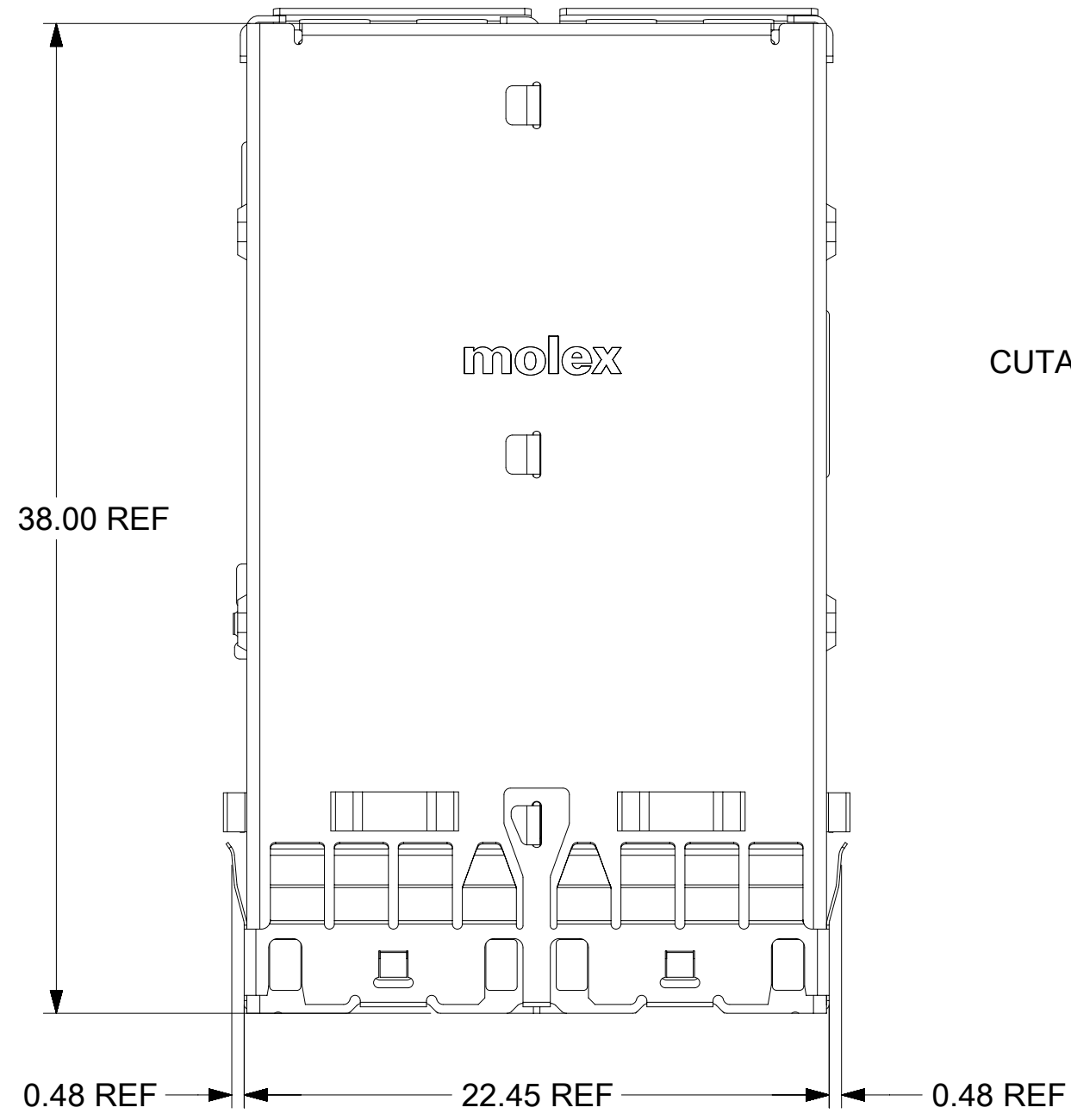
SEE TABLE | GENERAL MARKET

SHEET NUMBER

1 OF 9

DOCUMENT STATUS	P1	RELEASE DATE	2020/04/27	21:20:48
12	11	10	9	8

12	11	10	9	8	7	6	5	4	3	2	1
----	----	----	---	---	---	---	---	---	---	---	---



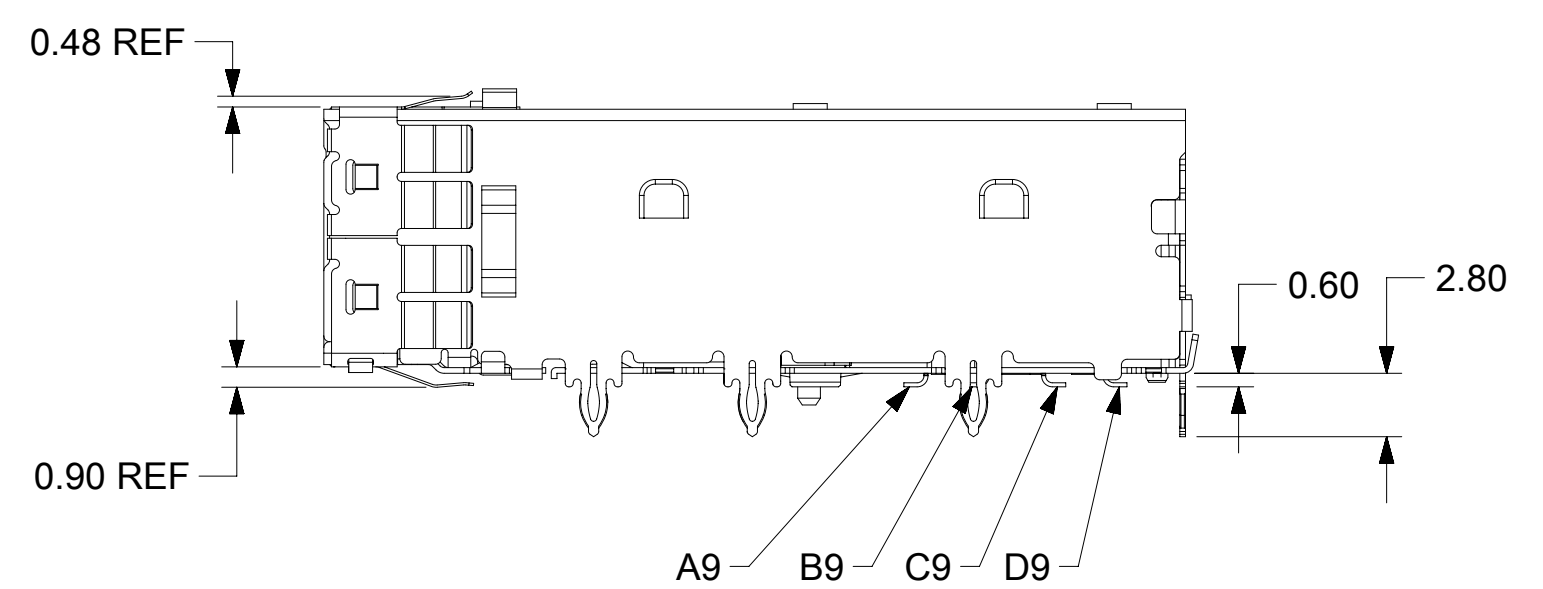
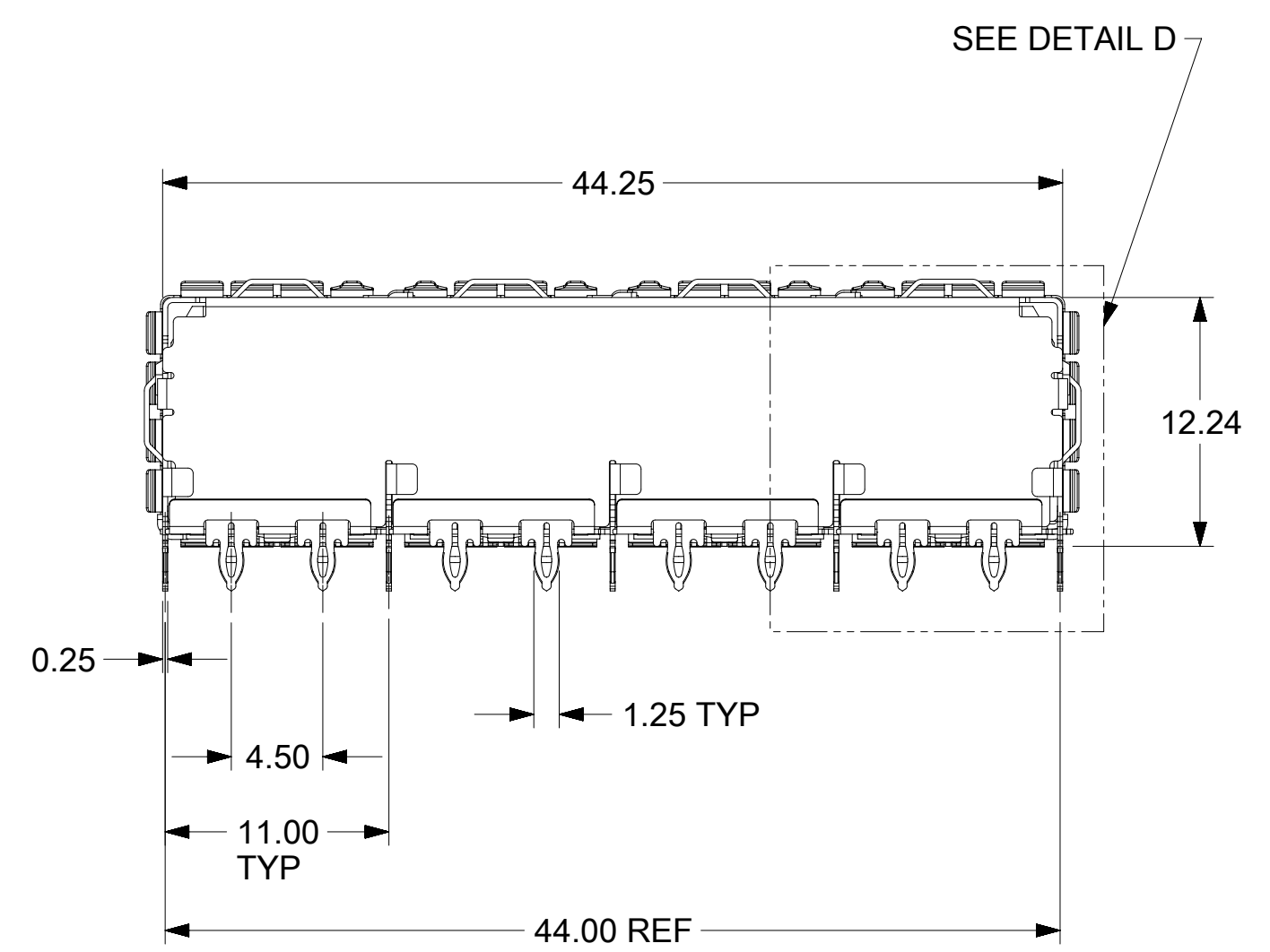
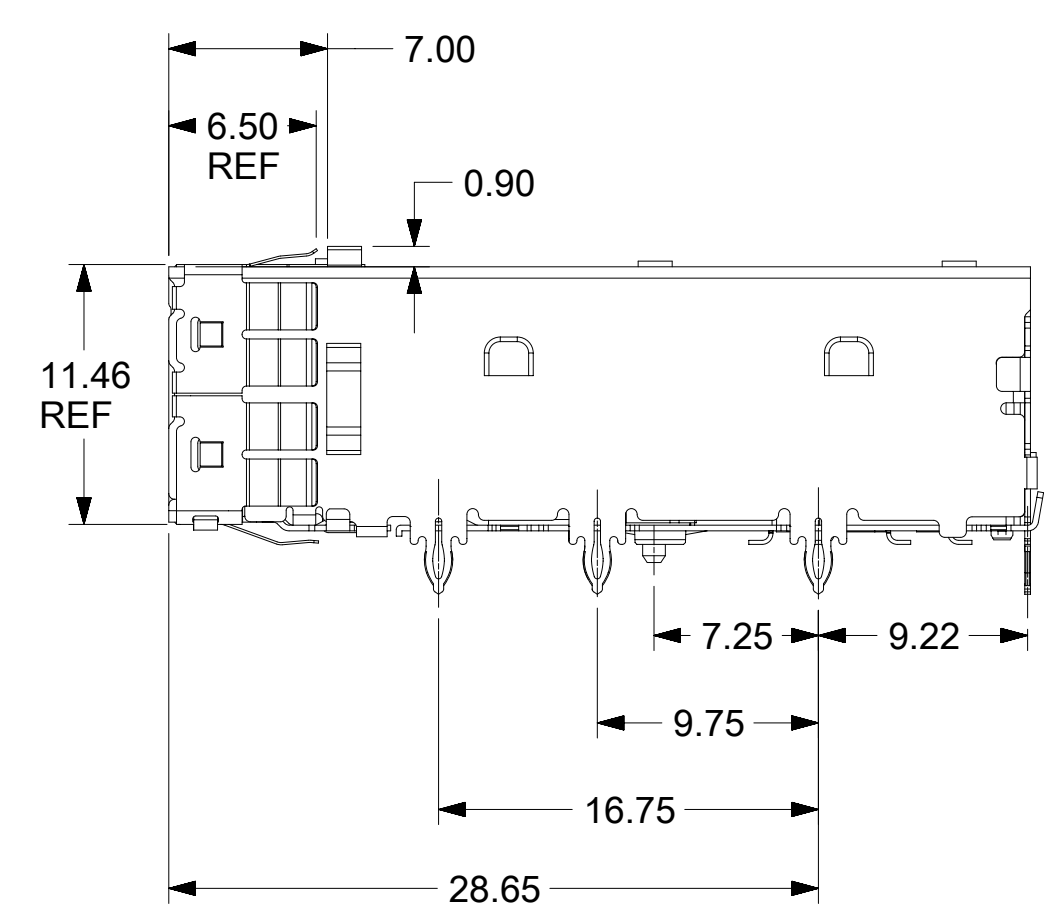
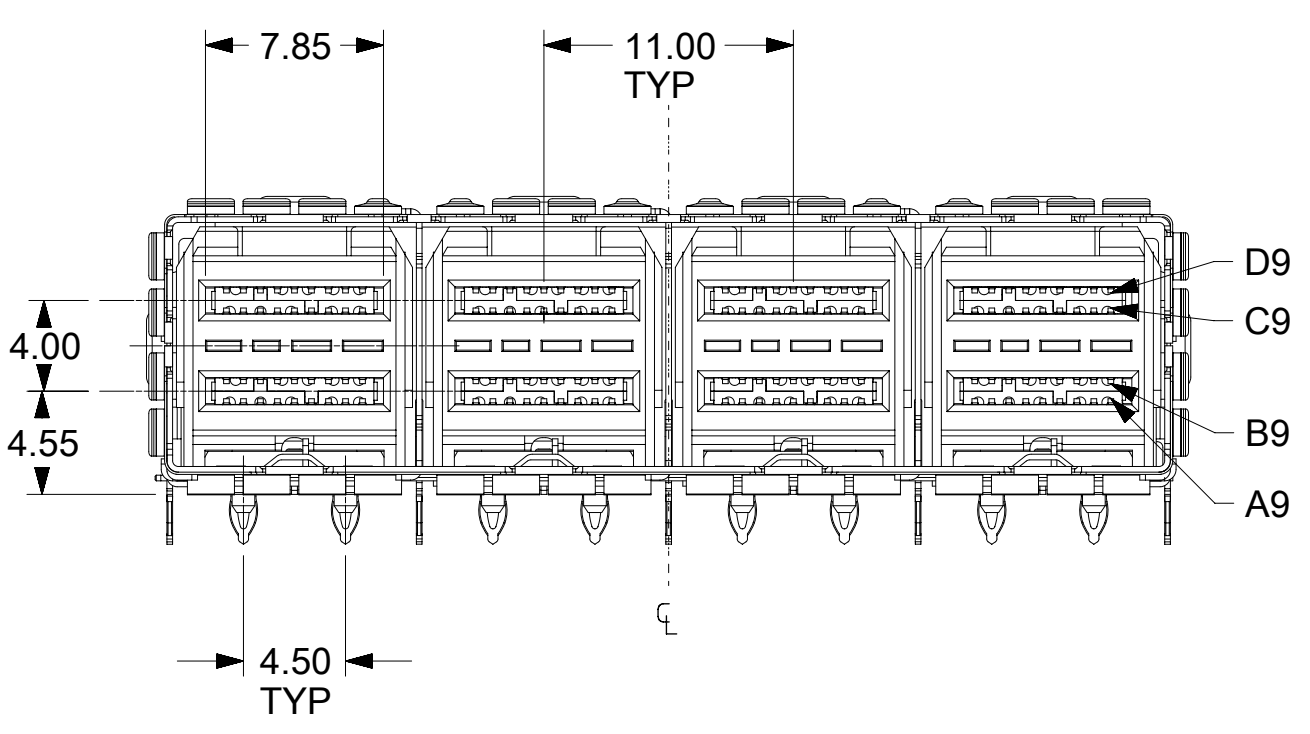
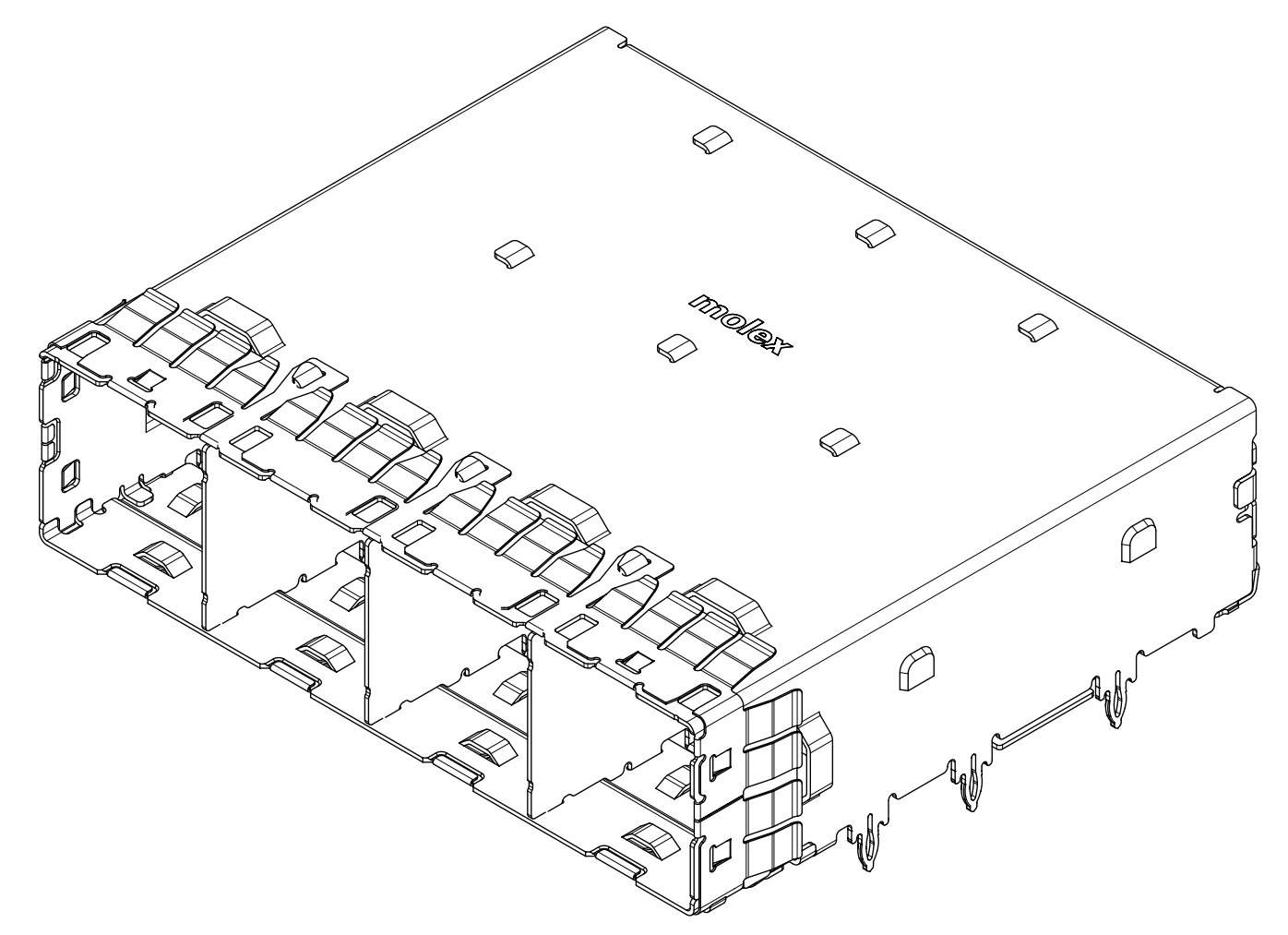
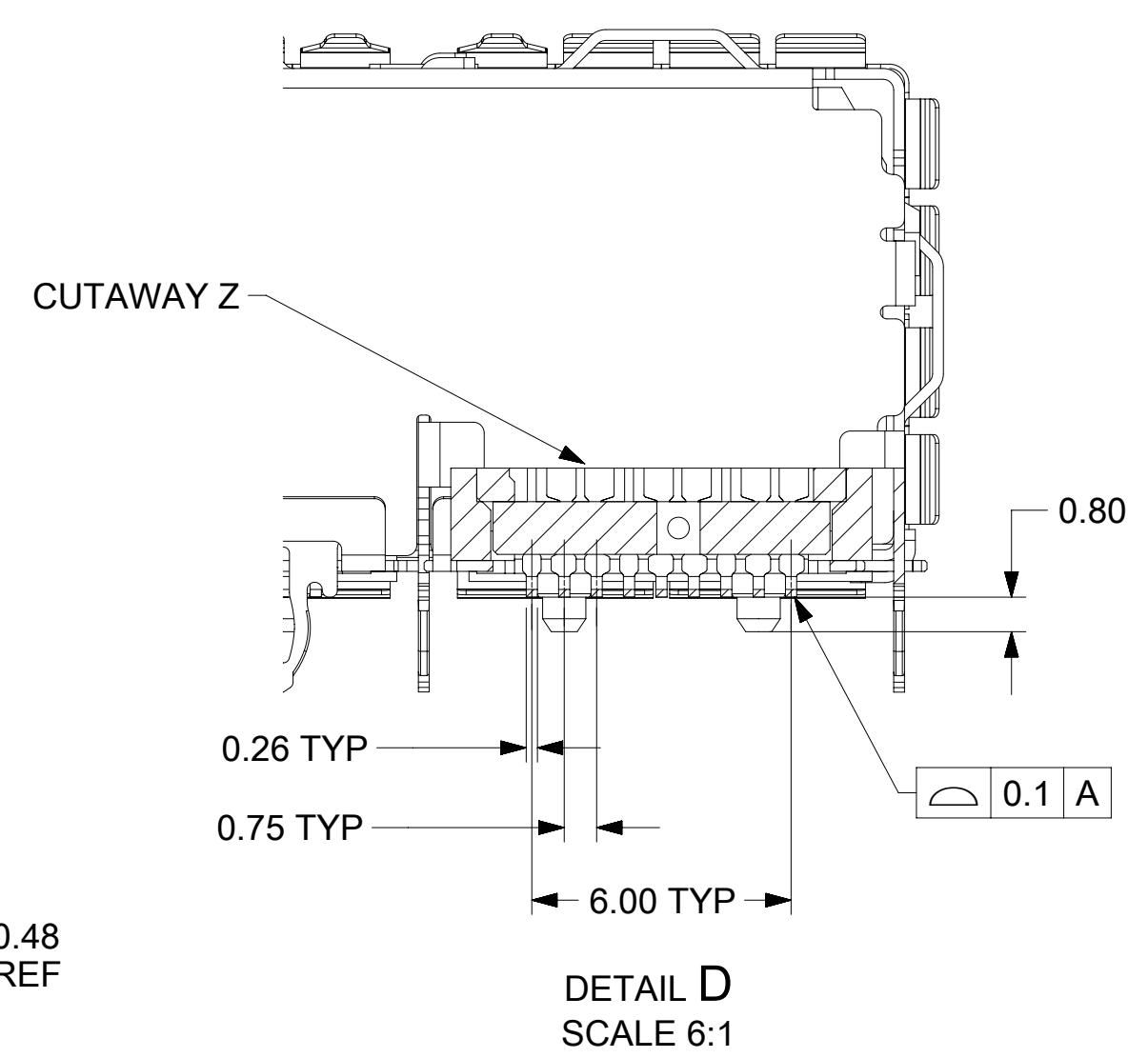
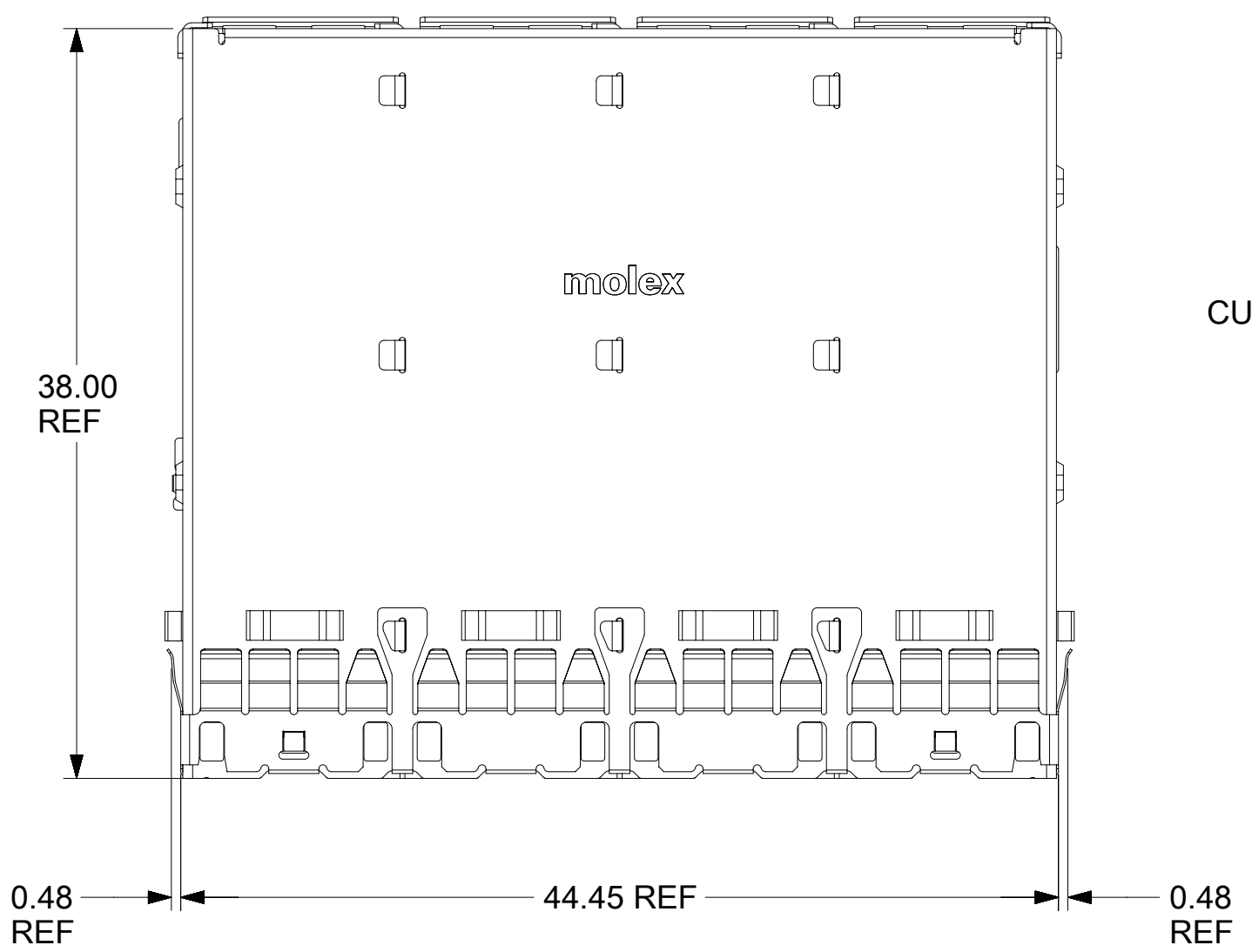
1X2 ASSEMBLY

SYMBOLS		THIS DRAWING CONTAINS INFORMATION THAT IS PROPRIETARY TO MOLEX ELECTRONIC TECHNOLOGIES, LLC AND SHOULD NOT BE USED WITHOUT WRITTEN PERMISSION	
DIMENSION UNITS	SCALE	CURRENT REV DESC:	
$\nabla = 0$	mm	4:1	
$\nabla = 0$	GENERAL TOLERANCES (UNLESS SPECIFIED)		
$\nabla = 0$	ANGULAR TOL \pm °		
$\nabla = 0$	4 PLACES	\pm	
$\nabla = 0$	3 PLACES	± 0.1	
$\nabla = 0$	2 PLACES	± 0.15	
$\nabla = 0$	1 PLACE	± 0.25	
$\nabla = 0$	0 PLACES	\pm	
$\nabla = 0$	DRAFT WHERE APPLICABLE MUST REMAIN WITHIN DIMENSIONS		
$\nabla = 0$	THIRD ANGLE PROJECTION	DRAWING	SERIES
$\nabla = 0$		C-SIZE	172473
		EC NO: 636348	2020/04/22
		DRWN: AKOLAK	2020/04/27
		CHK'D: VSHAH	2020/04/27
		APPR: VSHAH	2020/04/27
		INITIAL REVISION:	
		DRWN: AKOLAK	2017/11/10
		APPR: TMCLELLAND	2018/06/27
DOCUMENT NUMBER		DOC TYPE	DOC PART
1724731111		PSD	001
		REVISION	B2
MATERIAL NUMBER		CUSTOMER	SHEET NUMBER
SEE TABLE		GENERAL MARKET	3 OF 9

molex

IPASS RA SMT EXTERNAL SD

PRODUCT CUSTOMER DRAWING



DETAIL D
SCALE 6:1

SEE DETAIL D

1X4 ASSEMBLY

THIS DRAWING CONTAINS INFORMATION THAT IS PROPRIETARY TO MOLEX ELECTRONIC TECHNOLOGIES, LLC AND SHOULD NOT BE USED WITHOUT WRITTEN PERMISSION											
SYMBOLS		DIMENSION UNITS		SCALE		CURRENT REV DESC:					
▽ = 0		mm		3:1		EC NO: 636348					
▽ = 0		GENERAL TOLERANCES (UNLESS SPECIFIED)				DRWN: AKOLAK 2020/04/22					
▽ = 0		ANGULAR TOL ± °				CHK'D: VSHAH 2020/04/27					
▽ = 0		4 PLACES ±				APPR: VSHAH 2020/04/27					
▽ = 0		3 PLACES ± 0.1				INITIAL REVISION:					
▽ = 0		2 PLACES ± 0.15				DRWN: AKOLAK 2017/11/10					
▽ = 0		1 PLACE ± 0.25				APPR: TMCLELLAND 2018/06/27					
▽ = 0		0 PLACES ±				THIRD ANGLE PROJECTION		DRAWING		SERIES	
▽ = 0		DRAFT WHERE APPLICABLE MUST REMAIN WITHIN DIMENSIONS				C-SIZE		172473		MATERIAL NUMBER	
		DOCUMENT STATUS		P1		RELEASE DATE		2020/04/27 21:20:48		CUSTOMER	
		12		11		10		9		GENERAL MARKET	
		12		11		10		9		SHEET NUMBER	
		12		11		10		9		4 OF 9	

molex

IPASS RA SMT EXTERNAL SD

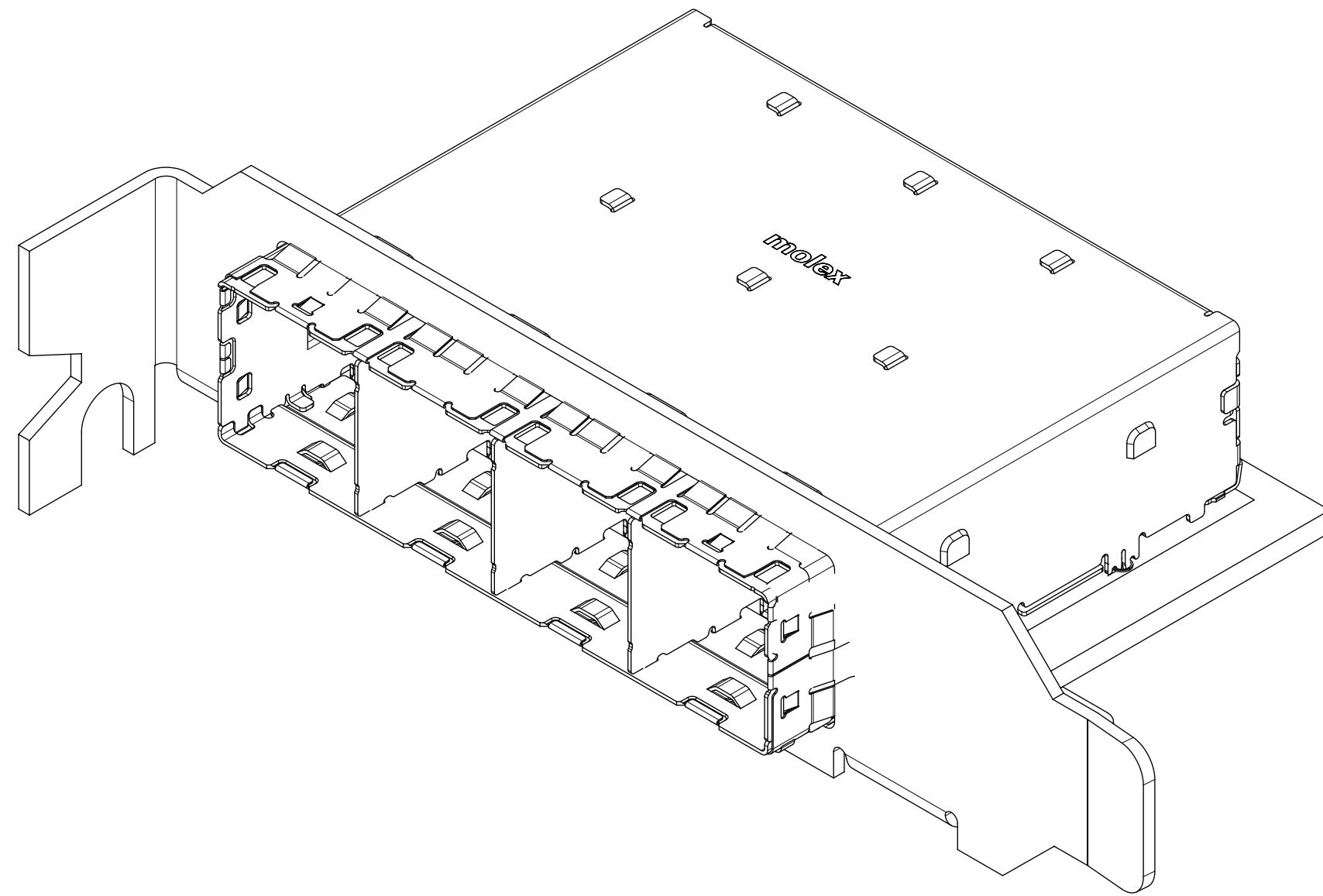
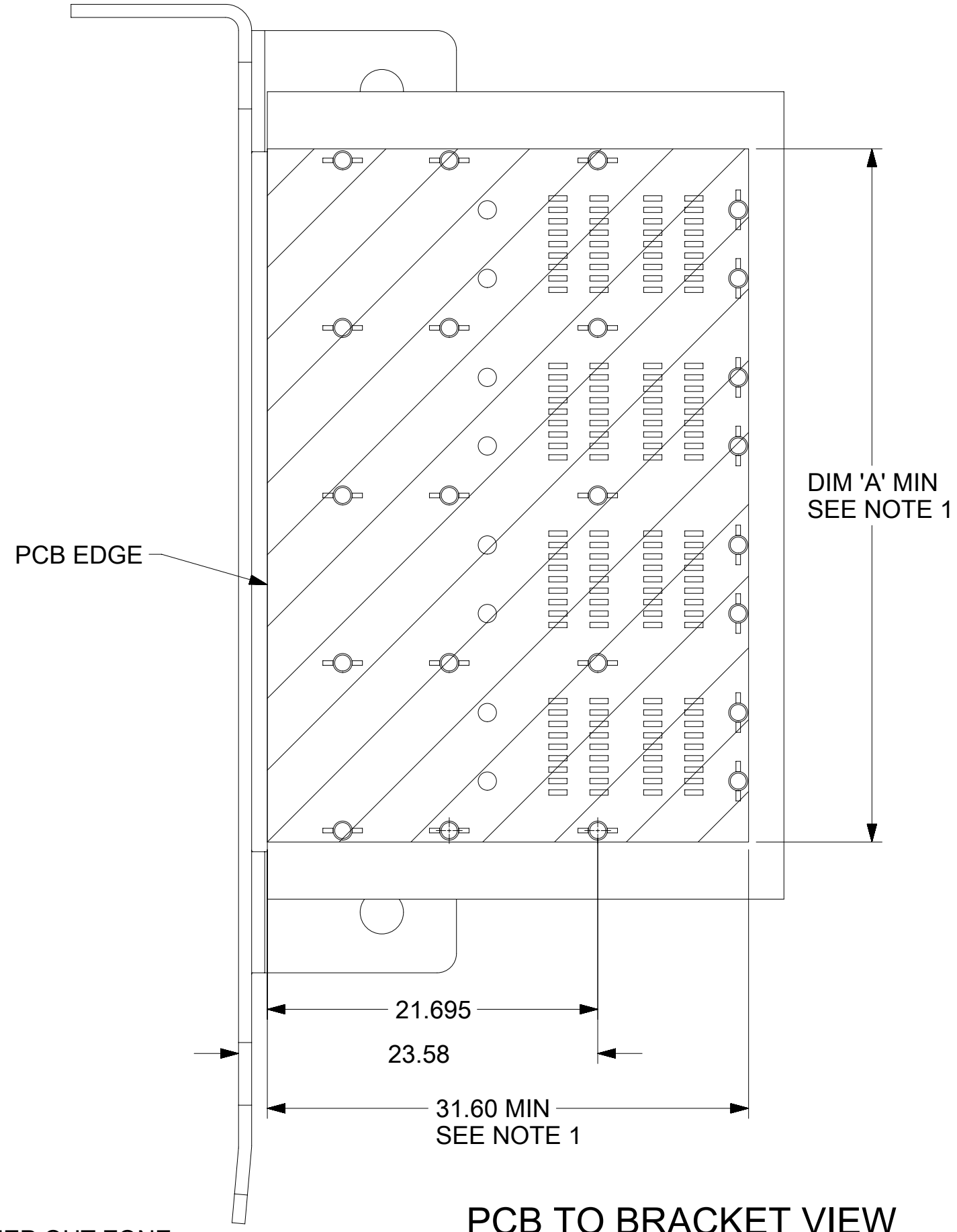
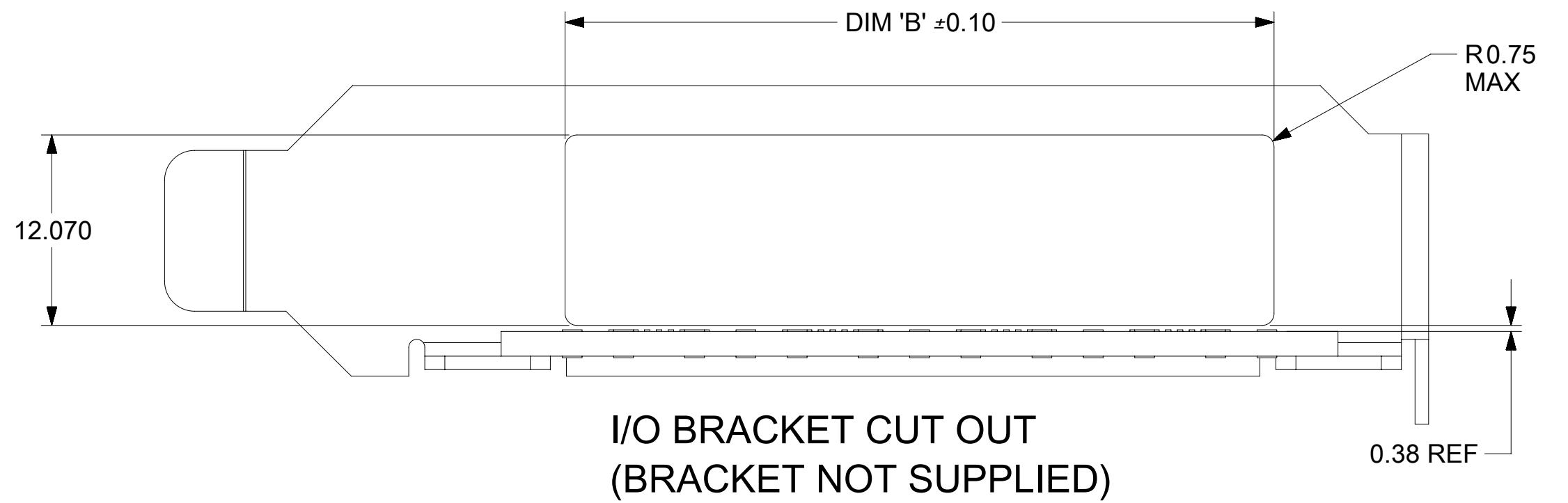
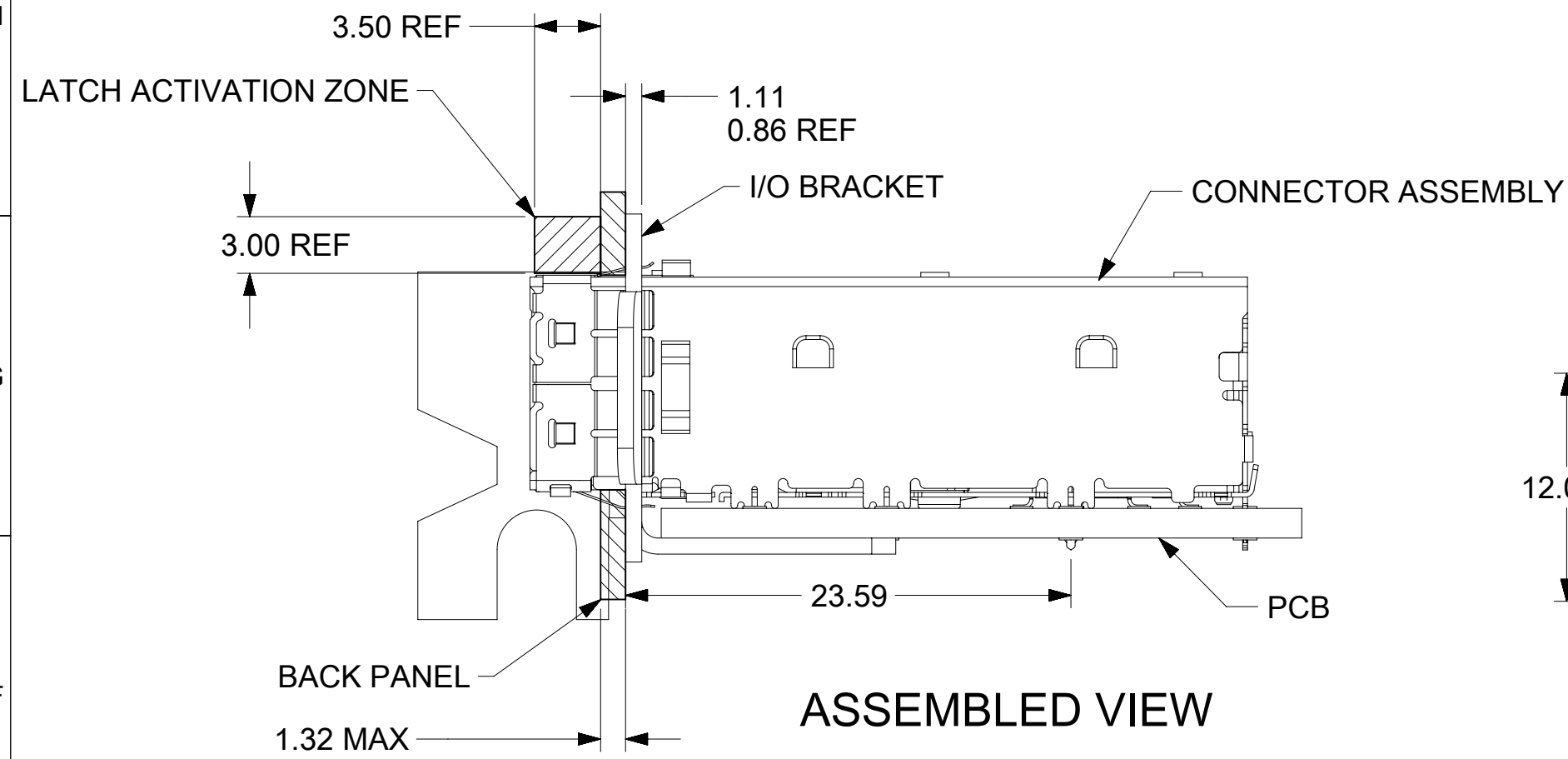
PRODUCT CUSTOMER DRAWING

DOCUMENT NUMBER
1724731111

DOC TYPE DOC PART REVISION
PSD 001 B2

SEE TABLE

PCI ADD IN CARD APPLICATION



CONFIGURATION	DIM 'A' (MIN)	DIM 'B'
1 X 1	12.00	11.90
1 X 2	23.00	22.90
1 X 4	45.00	44.90

NOTES:
1. CONNECTOR KEEP OUT ZONE :
PCB COMPONENTS ARE NOT ALLOWED IN THIS AREA.

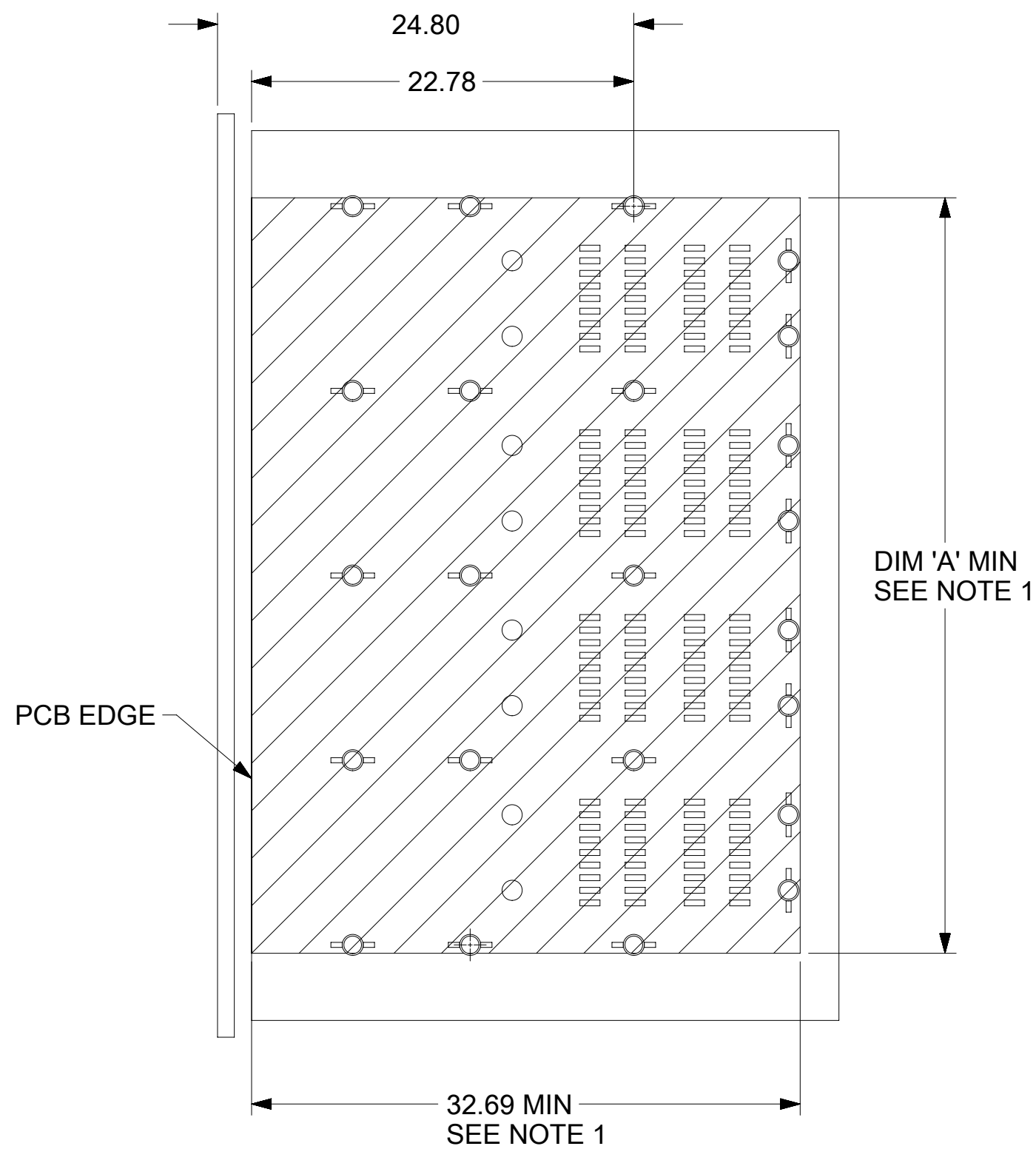
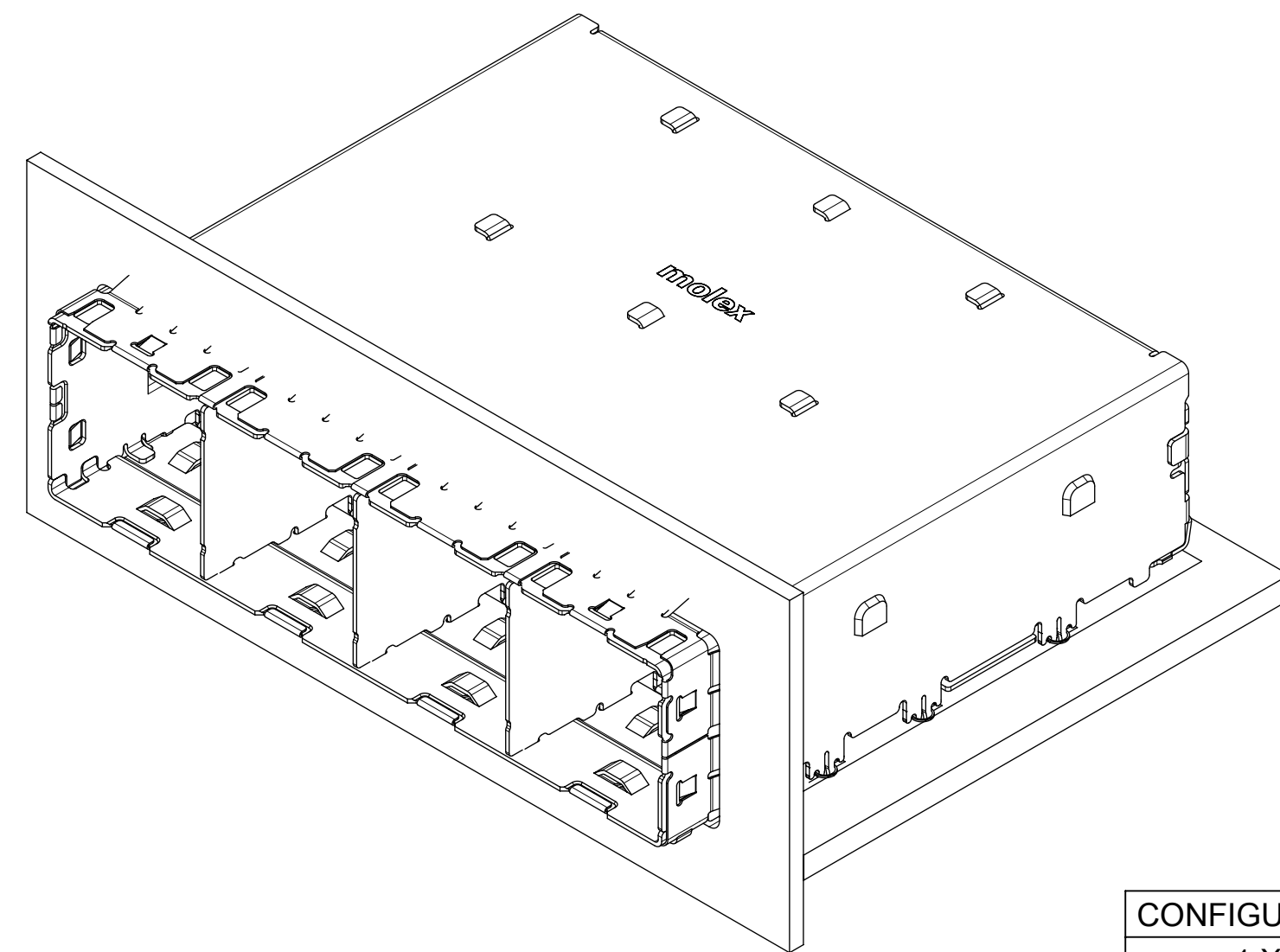
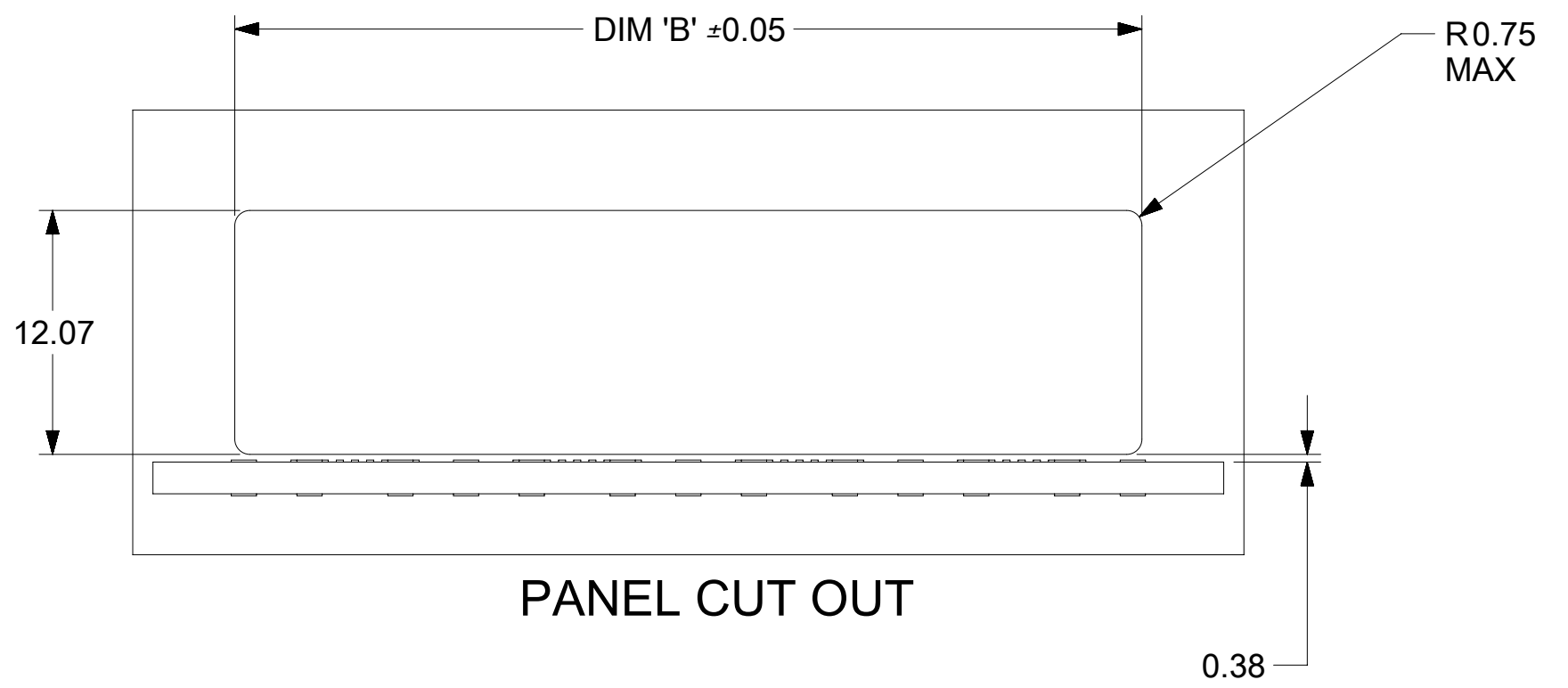
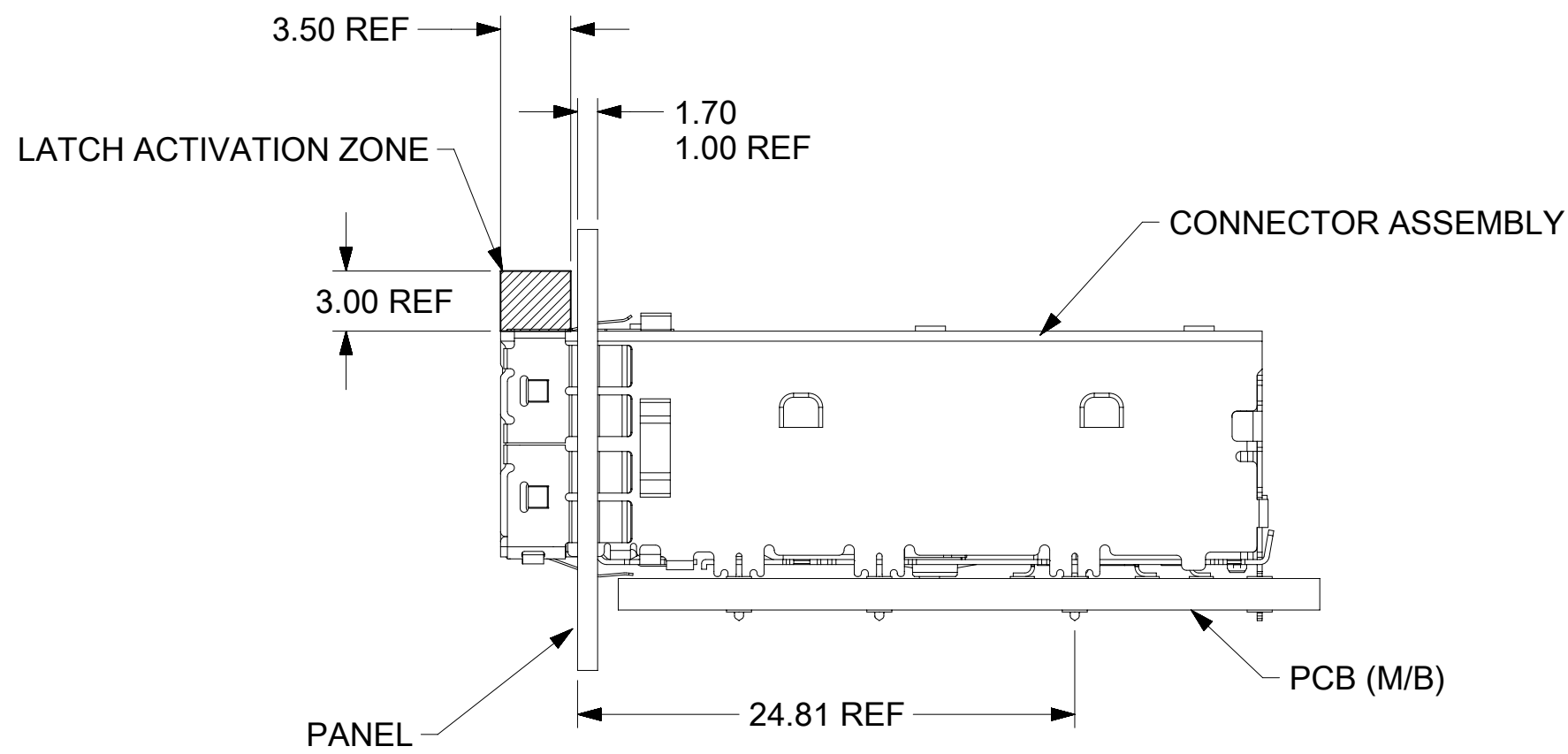
SYMBOLS		THIS DRAWING CONTAINS INFORMATION THAT IS PROPRIETARY TO MOLEX ELECTRONIC TECHNOLOGIES, LLC AND SHOULD NOT BE USED WITHOUT WRITTEN PERMISSION	
DIMENSION UNITS	SCALE	CURRENT REV DESC:	
▽ = 0	mm	3:1	
▽ = 0	GENERAL TOLERANCES (UNLESS SPECIFIED)		
▽ = 0	ANGULAR TOL ± °		
▽ = 0	4 PLACES	±	
▽ = 0	3 PLACES	± 0.1	
▽ = 0	2 PLACES	± 0.15	
▽ = 0	1 PLACE	± 0.25	
▽ = 0	0 PLACES	±	
▽ = 0	DRAFT WHERE APPLICABLE MUST REMAIN WITHIN DIMENSIONS		
▽ = 0	THIRD ANGLE PROJECTION	DRAWING	SERIES
		C-SIZE	172473
		EC NO: 636348	2020/04/22
		DRWN: AKOLAK	2020/04/27
		CHK'D: VSHAH	2020/04/27
		APPR: VSHAH	2020/04/27
		INITIAL REVISION:	
		DRWN: AKOLAK	2017/11/10
		APPR: TMCLELLAND	2018/06/27
DOCUMENT STATUS		DOCUMENT NUMBER	DOC TYPE DOC PART REVISION
P1	RELEASE DATE 2020/04/27 21:20:48	1724731111	PSD 001 B2
MATERIAL NUMBER		CUSTOMER	SHEET NUMBER
SEE TABLE		GENERAL MARKET	5 OF 9

molex

IPASS RA SMT EXTERNAL SD

PRODUCT CUSTOMER DRAWING

MOTHERBOARD APPLICATION



NOTES:
1. CONNECTOR KEEP OUT ZONE : PCB COMPONENTS ARE NOT ALLOWED IN THIS AREA.

CONFIGURATION	DIM 'A' (MIN)	DIM 'B'
1 X 1	12.00	11.90
1 X 2	23.00	22.90
1 X 4	45.00	44.90

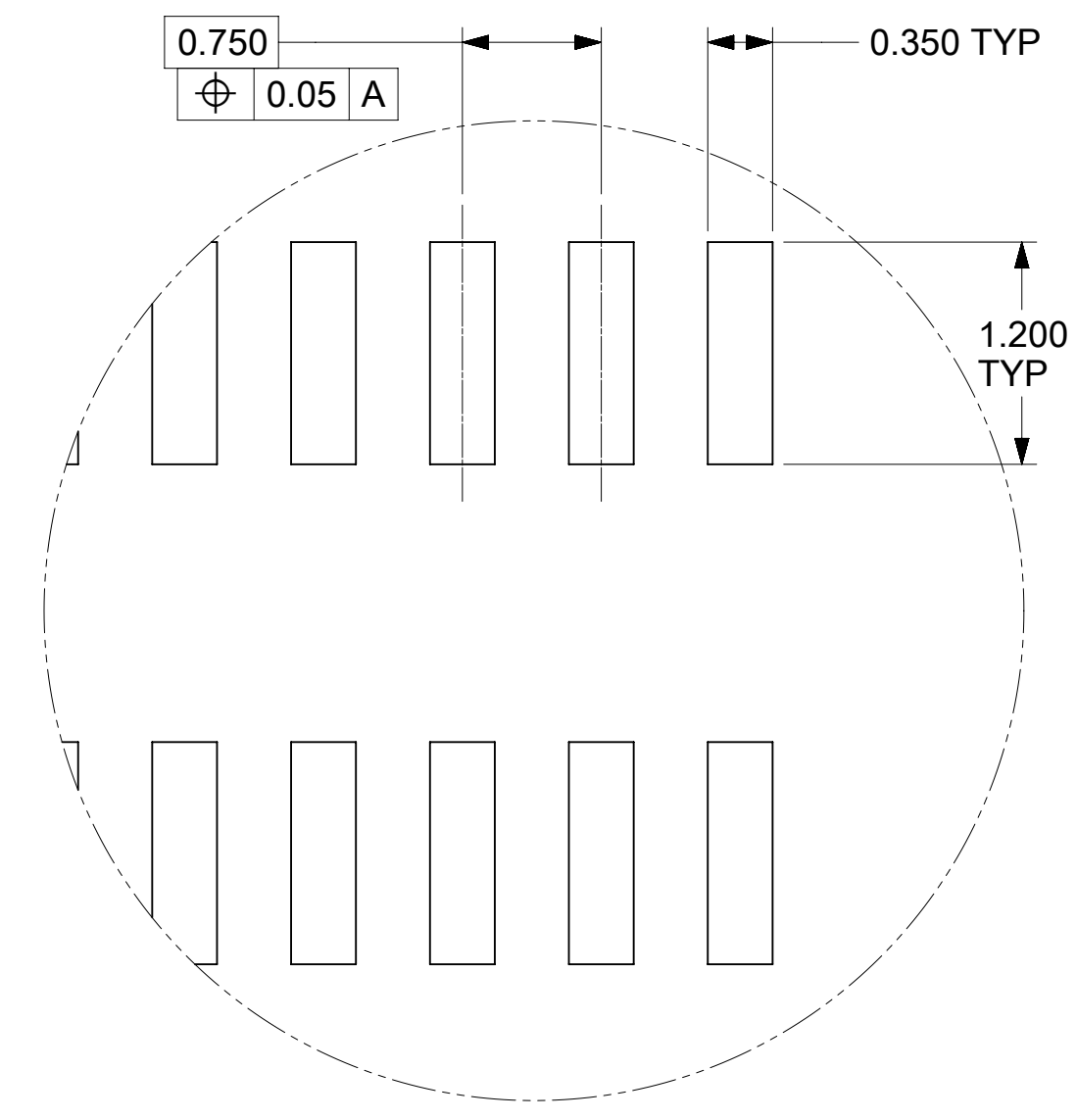
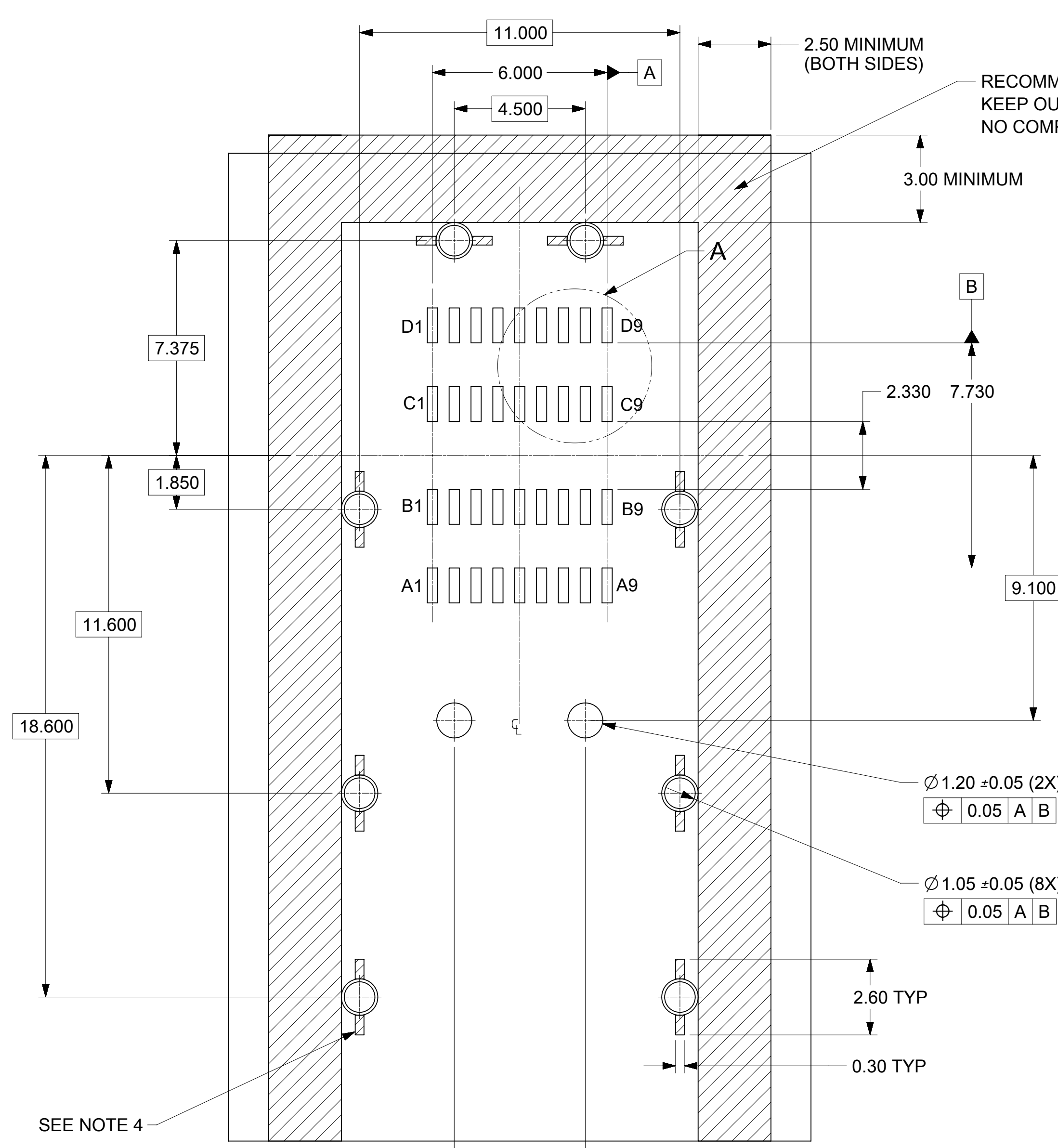
SYMBOLS		THIS DRAWING CONTAINS INFORMATION THAT IS PROPRIETARY TO MOLEX ELECTRONIC TECHNOLOGIES, LLC AND SHOULD NOT BE USED WITHOUT WRITTEN PERMISSION	
DIMENSION UNITS	SCALE	CURRENT REV DESC:	
▽ = 0	mm	3:1	
▽ = 0	GENERAL TOLERANCES (UNLESS SPECIFIED)		
▽ = 0	ANGULAR TOL	±	°
▽ = 0	4 PLACES	±	
▽ = 0	3 PLACES	±	0.1
▽ = 0	2 PLACES	±	0.15
▽ = 0	1 PLACE	±	0.25
□ = 0	0 PLACES	±	
■ = 0	DRAFT WHERE APPLICABLE MUST REMAIN WITHIN DIMENSIONS		
▽ = 0	THIRD ANGLE PROJECTION	DRAWING	SERIES
		C-SIZE	172473
		EC NO: 636348	2020/04/22
		DRWN: AKOLAK	2020/04/27
		CHK'D: VSHAH	2020/04/27
		APPR: VSHAH	2020/04/27
		INITIAL REVISION:	
		DRWN: AKOLAK	2017/11/10
		APPR: TMCLELLAND	2018/06/27
DOCUMENT NUMBER		DOC TYPE	DOC PART
1724731111		PSD	001
MATERIAL NUMBER		CUSTOMER	SHEET NUMBER
SEE TABLE		GENERAL MARKET	6 OF 9
REVISION			
B2			

molex

IPASS RA SMT EXTERNAL SD

PRODUCT CUSTOMER DRAWING

DOCUMENT STATUS	P1	RELEASE DATE	2020/04/27	21:20:48
12	11	10	9	8



$\varnothing 1.20 \pm 0.05$ (2X) NPTH
 $\varnothing 0.05$ A B
 $\varnothing 1.05 \pm 0.05$ (8X) PTH
 $\varnothing 0.05$ A B

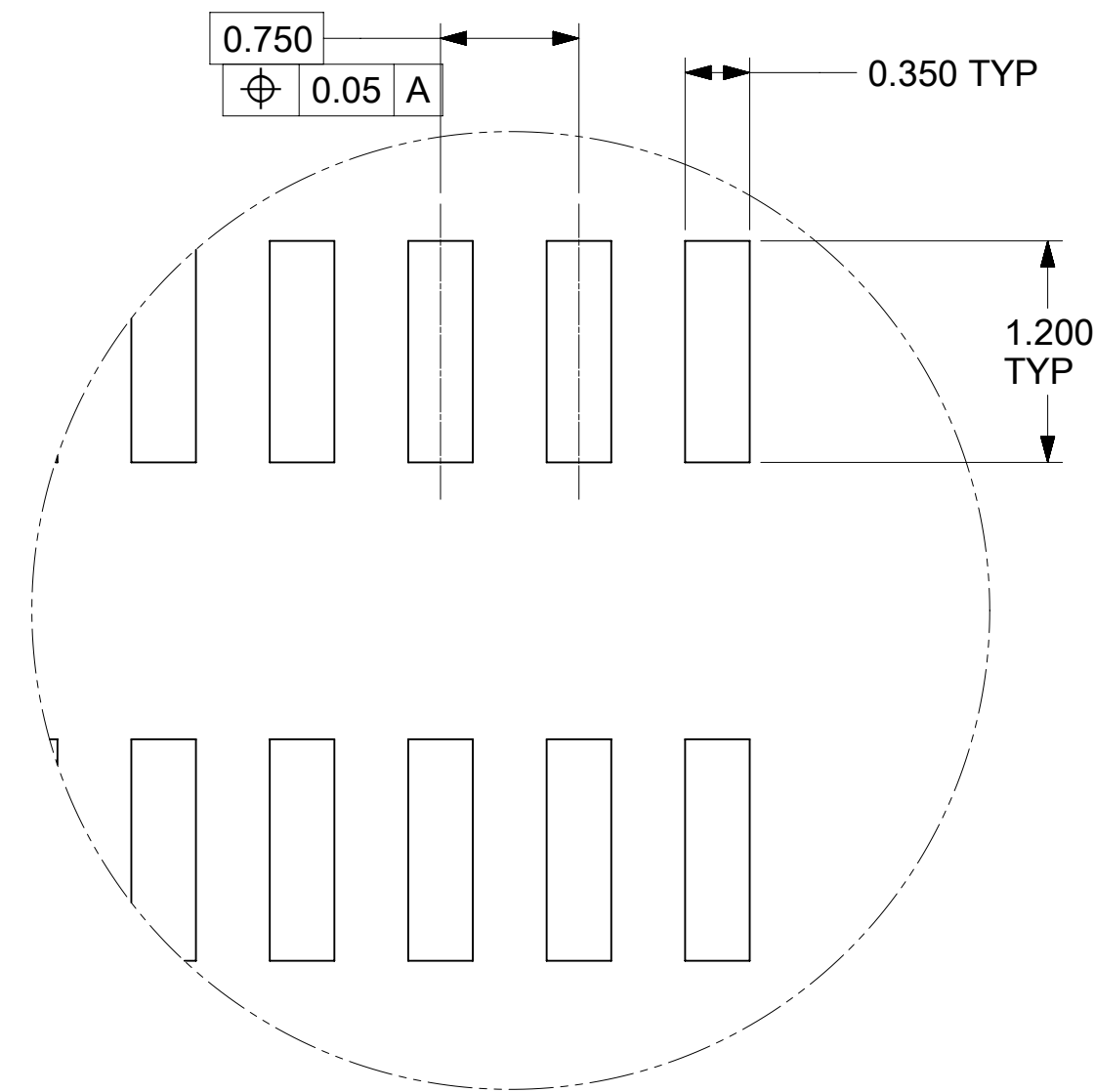
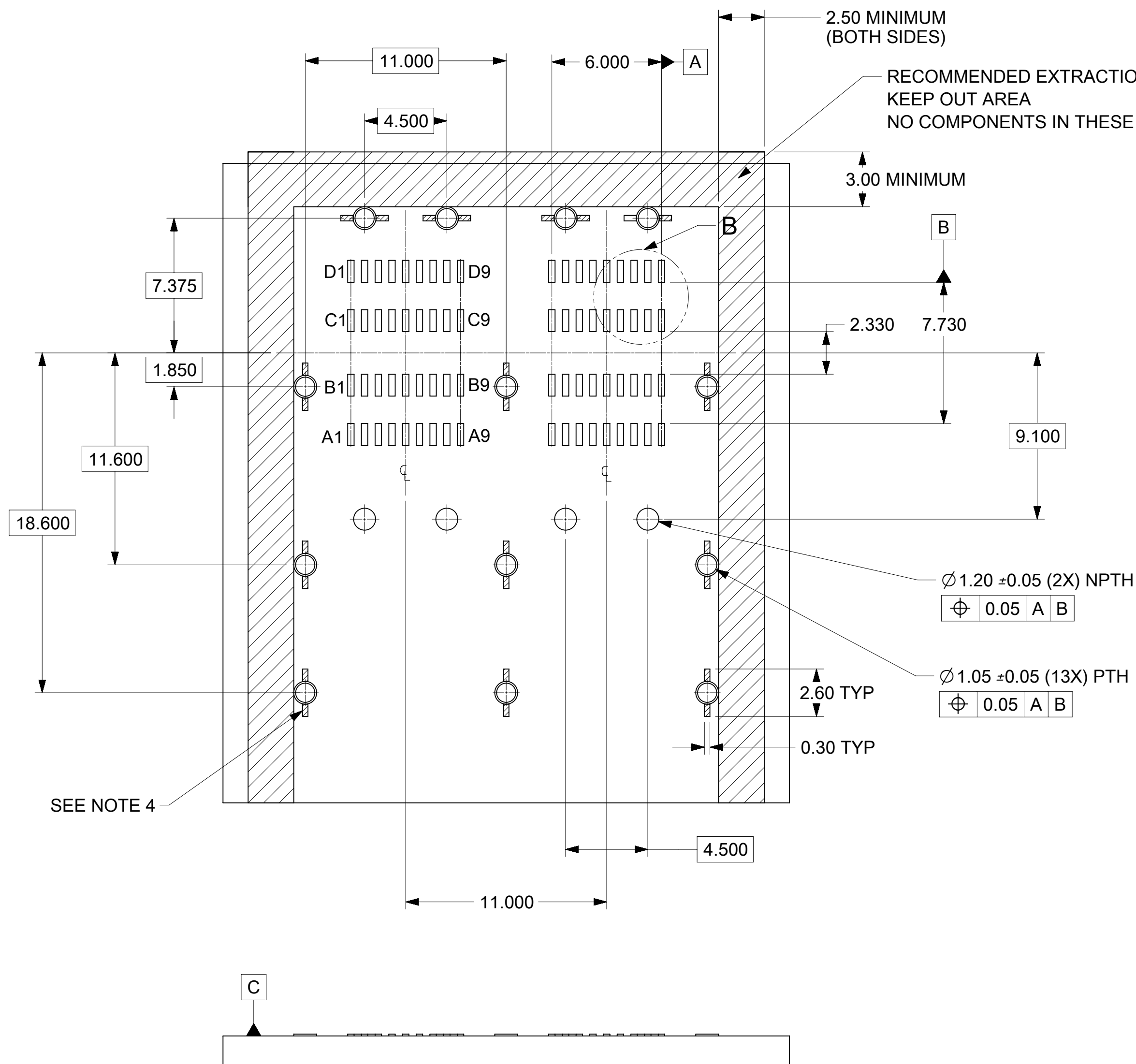
SEE NOTE 4

1x1 RECOMMENDED FOOTPRINT

- NOTES:
1. RECOMMENDED DRILL & ANNULAR RING SIZE FOR 1.05 \varnothing FINISHED PTH - REFER TO APPLICATION SPECIFICATION 1724730001
 2. MINIMUM RECOMMENDED SPACING: 18.00MM
 3. MINIMUM PCB THICKNESS: 1.57MM
 4. CAGE KEEP OUT ZONE: TRACES AND VIAS ARE NOT ALLOWED ON SURFACE OF PCB IN THESE AREAS.

SYMBOLS		THIS DRAWING CONTAINS INFORMATION THAT IS PROPRIETARY TO MOLEX ELECTRONIC TECHNOLOGIES, LLC AND SHOULD NOT BE USED WITHOUT WRITTEN PERMISSION		CURRENT REV DESC:		
DIMENSION UNITS	SCALE					
$\nabla = 0$	mm	8:1				
$\nabla = 0$	GENERAL TOLERANCES (UNLESS SPECIFIED)		EC NO: 636348			
$\nabla = 0$	ANGULAR TOL \pm °		DRWN: AKOLAK 2020/04/22			
$\nabla = 0$	4 PLACES	\pm	CHK'D: VSHAH 2020/04/27			
$\nabla = 0$	3 PLACES	± 0.1	APPR: VSHAH 2020/04/27			
$\nabla = 0$	2 PLACES	± 0.15	INITIAL REVISION:			
$\nabla = 0$	1 PLACE	± 0.25	DRWN: AKOLAK 2017/11/10			
$\nabla = 0$	0 PLACES	\pm	APPR: TMCLELLAND 2018/06/27			
$\nabla = 0$	DRAFT WHERE APPLICABLE MUST REMAIN WITHIN DIMENSIONS		THIRD ANGLE PROJECTION	DRAWING	SERIES	
$\nabla = 0$				C-SIZE	172473	

molex		IPASS RA SMT EXTERNAL SD		
		PRODUCT CUSTOMER DRAWING		
DOCUMENT NUMBER	DOC TYPE	DOC PART	REVISION	
1724731111	PSD	001	B2	
MATERIAL NUMBER	CUSTOMER	SHEET NUMBER		
SEE TABLE	GENERAL MARKET	7 OF 9		



DETAIL B
SCALE 25:1

1x2 RECOMMENDED FOOTPRINT

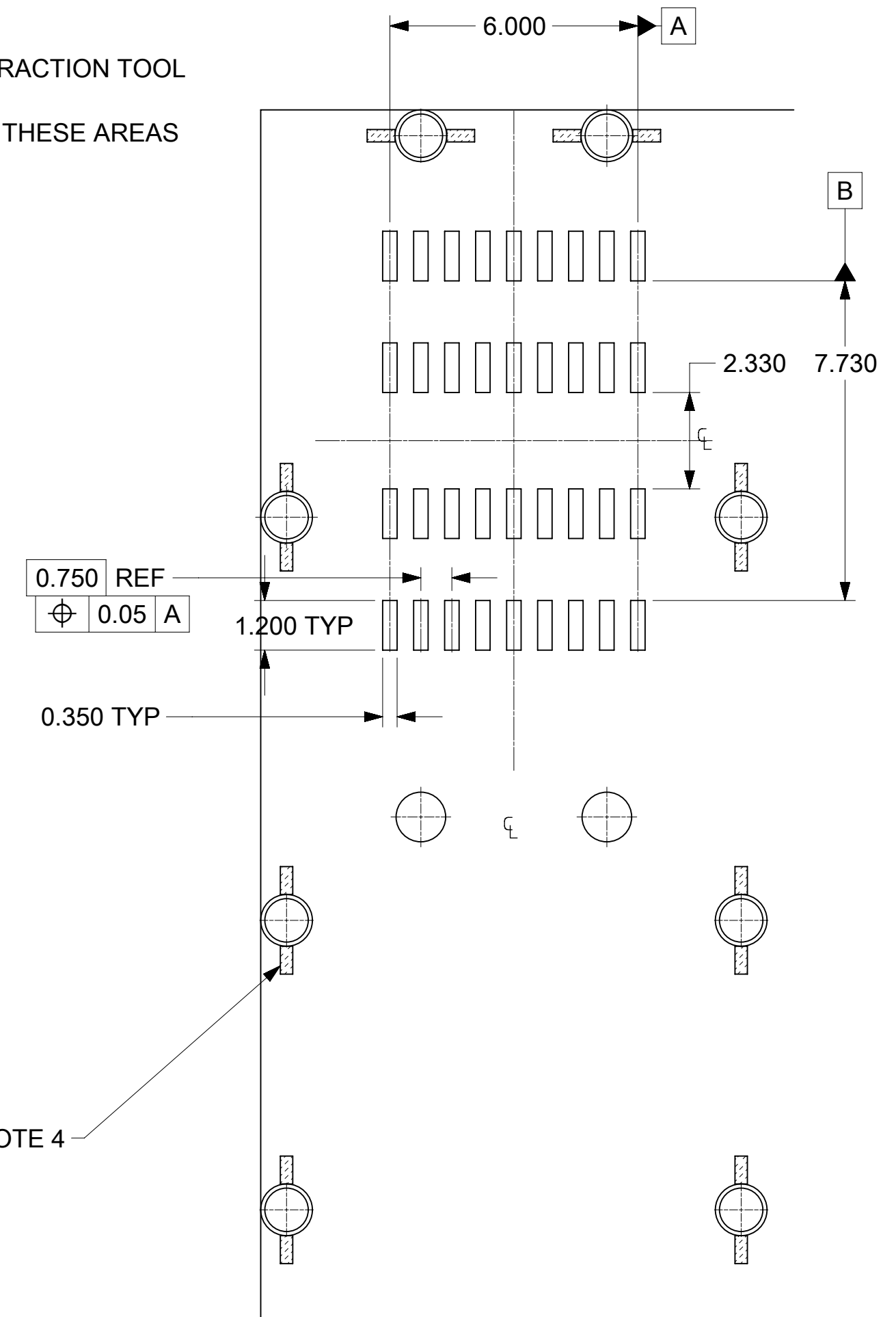
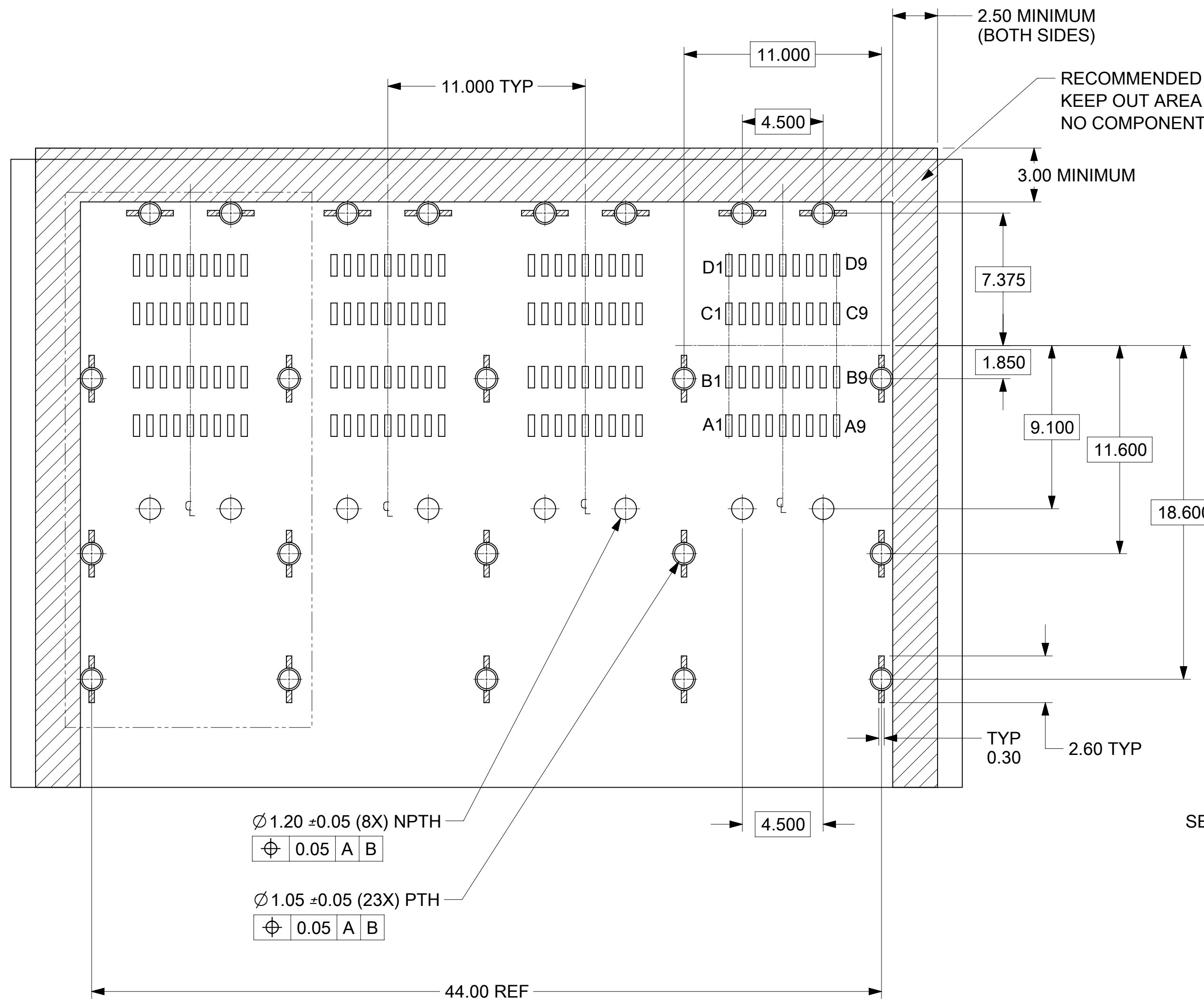
- NOTES:
1. RECOMMENDED DRILL & ANNULAR RING SIZE FOR 1.05 ϕ FINISHED PTH - REFER TO APPLICATION SPECIFICATION 1724730001
 2. MINIMUM RECOMMENDED SPACING: 29.00MM
 3. MINIMUM PCB THICKNESS: 1.57MM
 4. CAGE KEEP OUT ZONE: TRACES AND VIAS ARE NOT ALLOWED ON SURFACE OF PCB IN THESE AREAS.

THIS DRAWING CONTAINS INFORMATION THAT IS PROPRIETARY TO MOLEX ELECTRONIC TECHNOLOGIES, LLC AND SHOULD NOT BE USED WITHOUT WRITTEN PERMISSION									
SYMBOLS	DIMENSION UNITS	SCALE	CURRENT REV DESC:						
$\nabla = 0$	mm	5:1	EC NO: 636348 DRWN: AKOLAK 2020/04/22 CHK'D: VSHAH 2020/04/27 APPR: VSHAH 2020/04/27 INITIAL REVISION: DRWN: AKOLAK 2017/11/10 APPR: TMCLELLAND 2018/06/27						
$\nabla = 0$	GENERAL TOLERANCES (UNLESS SPECIFIED)								
$\nabla = 0$	ANGULAR TOL \pm °								
$\nabla = 0$	4 PLACES	\pm							
$\nabla = 0$	3 PLACES	± 0.1							
$\nabla = 0$	2 PLACES	± 0.15	MATERIAL NUMBER: SEE TABLE CUSTOMER: GENERAL MARKET SHEET NUMBER: 8 OF 9						
$\nabla = 0$	1 PLACE	± 0.25							
$\nabla = 0$	0 PLACES	\pm	THIRD ANGLE PROJECTION		DRAWING		SERIES		DOCUMENT NUMBER
$\nabla = 0$	DRAFT WHERE APPLICABLE MUST REMAIN WITHIN DIMENSIONS		C-SIZE		172473		1724731111		DOC TYPE
							PSD		DOC PART
							001		REVISION
							B2		



IPASS RA SMT EXTERNAL SD

PRODUCT CUSTOMER DRAWING



DETAIL C
SCALE 8:1

$\varnothing 1.20 \pm 0.05$ (8X) NPTH
 $\varnothing 0.05$ A B
 $\varnothing 1.05 \pm 0.05$ (23X) PTH
 $\varnothing 0.05$ A B

SEE NOTE 4

1x4 RECOMMENDED FOOTPRINT

- NOTES:
1. RECOMMENDED DRILL & ANNULAR RING SIZE FOR 1.05 \varnothing FINISHED PTH - REFER TO APPLICATION SPECIFICATION 1724730001
 2. MINIMUM RECOMMENDED SPACING: 51.00MM
 3. MINIMUM PCB THICKNESS: 1.57MM
 4. CAGE KEEP OUT ZONE: TRACES AND VIAS ARE NOT ALLOWED ON SURFACE OF PCB IN THESE AREAS.

SYMBOLS		THIS DRAWING CONTAINS INFORMATION THAT IS PROPRIETARY TO MOLEX ELECTRONIC TECHNOLOGIES, LLC AND SHOULD NOT BE USED WITHOUT WRITTEN PERMISSION	
DIMENSION UNITS	SCALE	CURRENT REV DESC:	
$\nabla = 0$	mm	5:1	
$\nabla / = 0$	GENERAL TOLERANCES (UNLESS SPECIFIED)		
$\nabla \setminus = 0$	ANGULAR TOL \pm °		
$\nabla \setminus / = 0$	4 PLACES	\pm	
$\nabla \setminus \setminus = 0$	3 PLACES	\pm 0.1	
$\nabla \setminus \setminus / = 0$	2 PLACES	\pm 0.15	
$\nabla \setminus \setminus \setminus = 0$	1 PLACE	\pm 0.25	
$\nabla \setminus \setminus \setminus / = 0$	0 PLACES	\pm	
$\blacksquare = 0$	DRAFT WHERE APPLICABLE MUST REMAIN WITHIN DIMENSIONS		
$\nabla \setminus \setminus \setminus \setminus = 0$	THIRD ANGLE PROJECTION	DRAWING	SERIES
		C-SIZE	172473

EC NO: 636348		2020/04/22	
DRWN: AKOLAK		2020/04/27	
CHK'D: VSHAH		2020/04/27	
APPR: VSHAH		2020/04/27	
INITIAL REVISION:			
DRWN: AKOLAK		2017/11/10	
APPR: TMCLELLAND		2018/06/27	

DOCUMENT NUMBER		DOC TYPE		DOC PART		REVISION	
		1724731111	PSD	001	B2		
MATERIAL NUMBER		CUSTOMER		SHEET NUMBER			
SEE TABLE		GENERAL MARKET		9 OF 9			



IPASS RA SMT EXTERNAL SD

PRODUCT CUSTOMER DRAWING