

## Amphenol Canada Corp - Product Change Notice (PCN)

PCN Date	Feb.17,2022
Supplier Name:	Amphenol Canada Corp.
Amphenol Canada PCN Number	PCN-C1650
Description of Change	Contact tail plating are different.
Reason for Change	The mould of the original D-sub are aging and out of control lead time for D-sub parts.
Summary of changes between new and old part	All of the contact tail are tin plating. See the next page for the detail
Traceability guidelines (lot code / date code, markings, ship date...)	Data code - 2215
Last Time Buy Date	N/A
Datasheet attached? & Filename(s)	Refer to page 2 & 3
Qual Test data attached? & Filename(s)	N/A

Customer Part Number	Amphenol Old Part Number	Amphenol New Part Number	PCN Effectivity Date	Samples Availability Date	Last Time Buy Date	Expected Supplier Qual Date
NA	17EBH026SAM100 17EBH026SAM210 17EBH026SAM010 17EBH026SAM110	Unchanged	11-Apr-22	01-Apr-22	NA	NA
			Estimated	For new sample		

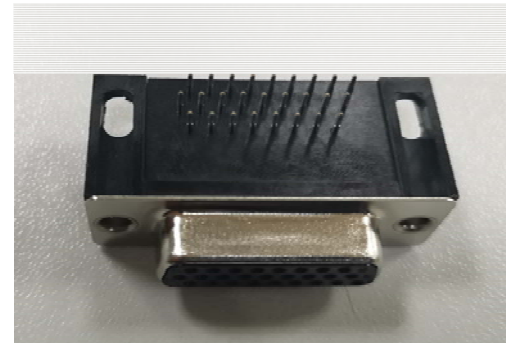
## 17EBH026SAM100

**Old**



1. Contact tails are gold flash plated.

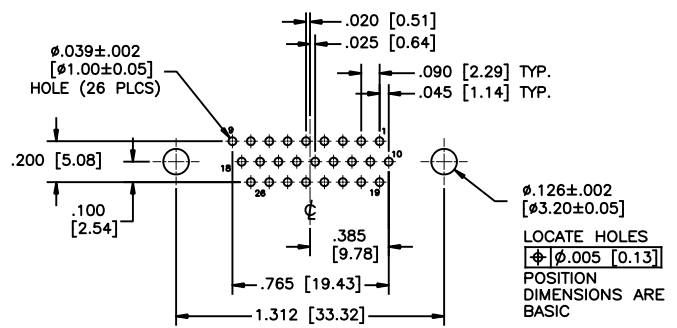
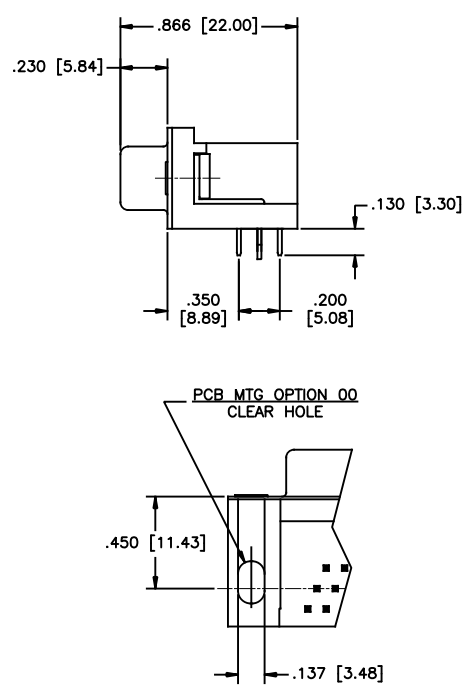
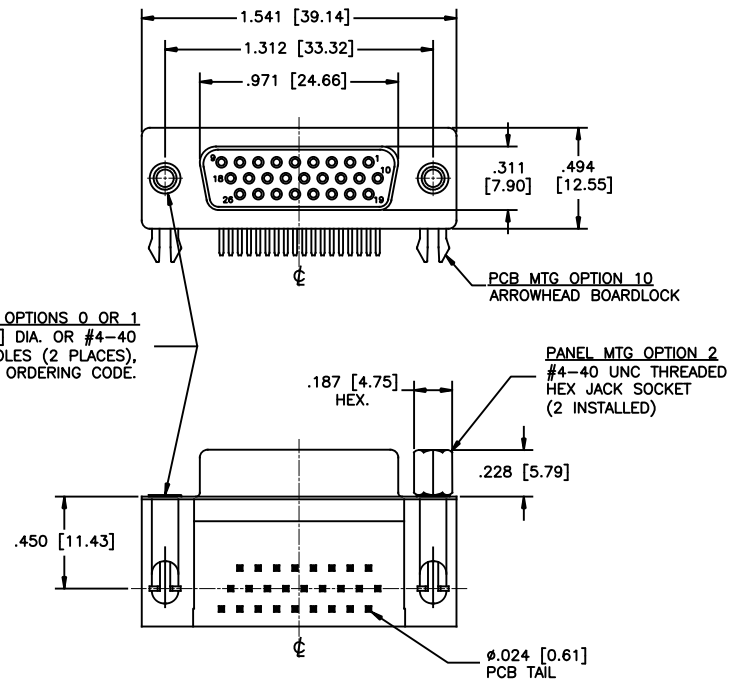
**New**



1. Contact tails are tin plated.

Almost same in appearance.

REVISIONS			
REV	ECN, ERN NO.	DATE	APPRD.
B	PRODUCT DRAWING (EAR 14658)	MAY4/18	K.L.
C	PRODUCT DRAWING (EAR 15082)	MAR01/22	A.G.



**ORDERING CODE:**  
**PART NUMBER:** 1 7 E B H - 0 2 6 S A M - 2 1 0

**SERIES** \_\_\_\_\_  
**NUMBER OF CONTACTS** \_\_\_\_\_  
**STYLE** \_\_\_\_\_  
**CONTACT PLATING OPTIONS FOR ENGAGEMENT AREA** \_\_\_\_\_

**PCB MOUNTING OPTIONS**  
 00= CLEAR HOLE  
 10= ARROWHEAD BOARDLOCK

**PANEL MOUNTING OPTIONS**  
 0= .120 [3.05] CLEAR HOLE  
 1= #4-40 THREADED HOLE  
 2= #4-40 UNC THREADED HEX JACK SOCKETS

**AA= 3µ" [0.08 MICRONS] GOLD FLASH**  
**CH= 15µ" [0.38 MICRONS] GOLD**  
**AM= 30µ" [0.76 MICRONS] GOLD**

**RECOMMENDED P.C.B. LAYOUT**  
 (COMPONENT SIDE OF BOARD)

**SPECIFICATIONS:**

**MATERIALS:** ALL MATERIALS ARE RoHS COMPLIANT.  
**SHELLS:** SPCC, NICKEL PLATED.  
**INSERTS:** HIGH TEMPERATURE RESISTANT NYLON, GLASS REINFORCED, UL FLAMMABILITY RATING 94V-0, COLOUR: BLACK.  
**CONTACTS:** COPPER ALLOY, GOLD PLATING (SEE ORDERING CODE) OVER 50µ" [1.27 MICRONS] NICKEL ON ENGAGEMENT AREA WITH 100µ" [2.54 MICRONS] MIN. TIN ON CONTACT TERMINALS.  
**BOARDLOCK:** COPPER ALLOY, TIN PLATED.

**ELECTRICAL DATA:**

**CURRENT RATING:** 3 AMP  
**CONTACT RESISTANCE:** 15 MILLIOHMS MAX.  
**INSULATION RESISTANCE:** 5000 MEGOHMS MIN.  
**DIELECTRIC WITHSTANDING VOLTAGE:** 1000 VAC rms  
**OPERATING TEMPERATURE:** -55°C TO +105°C

THIS DOCUMENT CONTAINS PROPRIETARY INFORMATION AND SUCH INFORMATION MAY NOT BE DISCLOSED TO OTHERS FOR ANY PURPOSE OR USED FOR MANUFACTURING PURPOSES WITHOUT WRITTEN PERMISSION FROM AMPHENOL CANADA CORP.

DRAWN	J.LEE	DATE	DEC12/06
DESIGNED			
CHECKED	K.LAMBIE	DATE	DEC12/06
I. E. APPRD.			
Q. A. APPRD.			
DWG. APPRD.			
ENG. REL. NO.			
REF.	EAR 12992		
DIMENSIONS ARE IN	CODE ID. NO.		
INCHES [mm]	03554		

**Amphenol Canada Corp.**

**TITLE** 17EBH SERIES HIGH DENSITY D-SUB CONNECTOR, 26 SIZE SOCKET, RIGHT ANGLE PCB CONTACTS, PLATING & MOUNTING OPTIONS, RoHS COMPLIANT

DWG	DRAWING NO.	REV.
C	P-17EBH-026SXX-XX0	C
SCALE	2/1	WT. _____ SURF. _____ SHEET 1 OF 1