

4

3

2

1

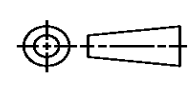
THIS DRAWING IS UNPUBLISHED. RELEASED FOR PUBLICATION
© COPYRIGHT ALL RIGHTS RESERVED.

LOC	DIST	REVISIONS			
P	LTR	DESCRIPTION	DATE	DWN	APVD
	A1	ECR-18-005440	13APR18	GK	SD

REPLACED BY OCEAN STYLE APPLICATOR PART NUMBER 2150764-1

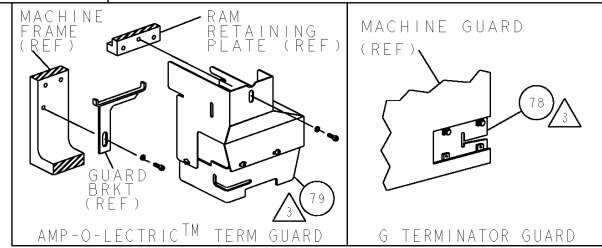
FOR REPLACEMENT PARTS FOR APPLICATOR 1852700 REFER TO ADDITIONAL PAGE(S). SPARE PARTS KIT (IF LISTED) WILL REMAIN AVAILABLE.

THE REPLACEMENT OCEAN STYLE APPLICATOR HAS THE SAME TERMINATOR/PRESS INTERFACE AS APPLICATOR 1852700

THIS DRAWING IS A CONTROLLED DOCUMENT.		DWN	GOPALAKRISHNA HV			
DIMENSIONS:		CHK	GOPALAKRISHNA HV			
		TOLERANCES UNLESS OTHERWISE SPECIFIED:		APVD		
		0 PLC ± 1 PLC ± 2 PLC ± 3 PLC ± 4 PLC ± ANGLES ±		STOUGH DALE		
MATERIAL		PRODUCT SPEC		NAME		
FINISH		APPLICATION SPEC		END FEED HDM APPLICATOR		
		WEIGHT	SIZE	CAGE CODE	DRAWING NO	RESTRICTED TO
			A3		©- 1852700	
CUSTOMER DRAWING			SCALE	SHEET 1 OF 2	REV A1	



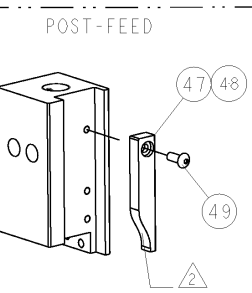
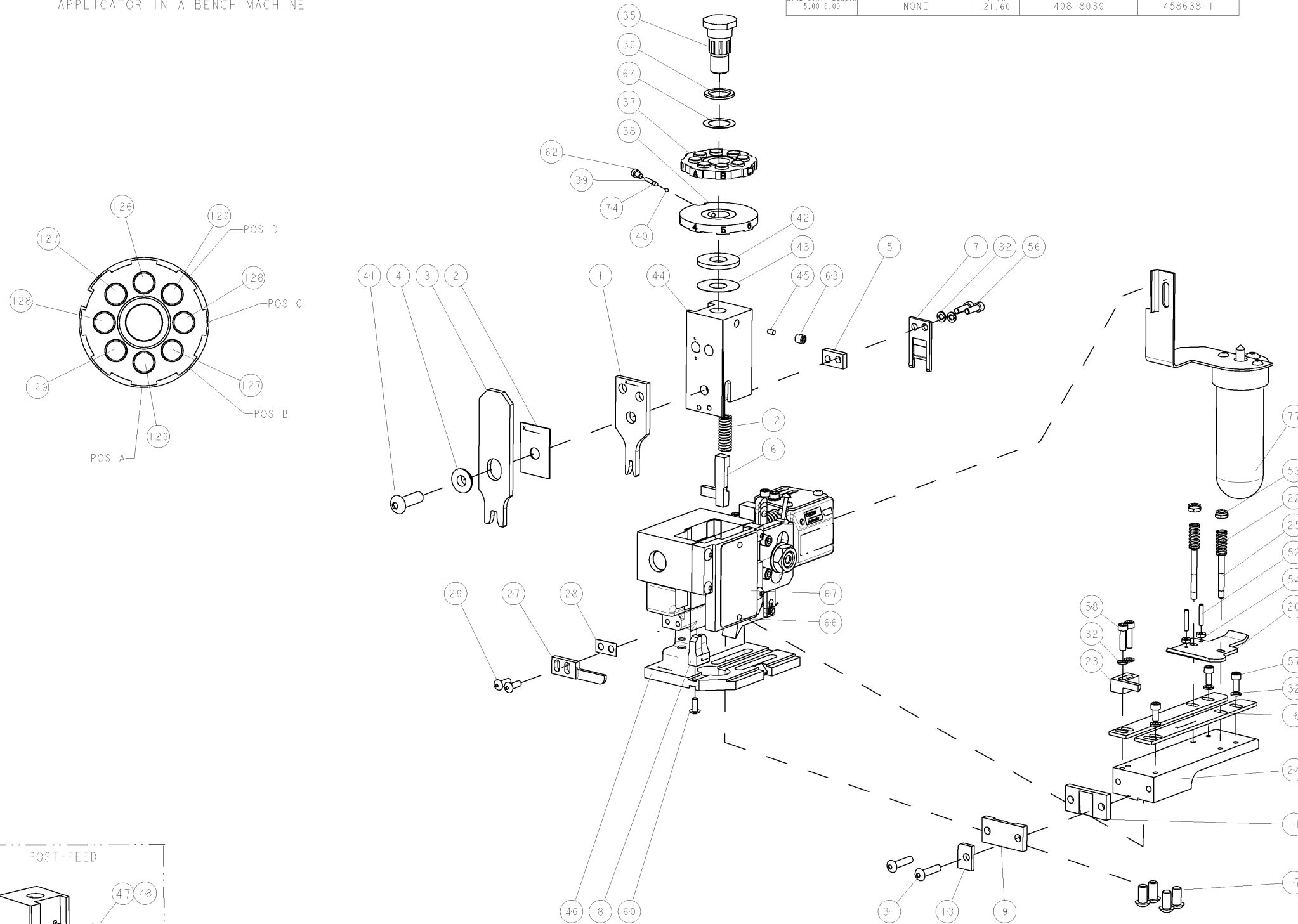
PART NUMBER	REV	FIRST USED	POWER UNIT	FEED TYPE
1852700-1	A	122500-1	LEADMAKER & BENCH MODEL G	POST FEED
1852700-2	A	565435-5	BENCH MODEL K	POST FEED
7-1852700-7	A	-	SPARE PARTS	-



TERMINAL NAME: YAZAKI FAST-ON TYPE TERMINAL					
TE PN	COMP PN	YAZAKI TERMINAL - YAZAKI CRIMP SPECS			
1949639-1	7116-2871				
1949639-2	7116-2871-02				
		PAD LTR	CRIMP HEIGHT	WIRE SIZE	
-	-	A	1.50±0.05mm [.059±.002]	1.5mm2	
-	-	B	1.45±0.05mm [.057±.002]	1.25mm2	
-	-	C	1.40±0.05mm [.055±.002]	1mm2	
-	-	D	1.30±0.05mm [.051±.002]	0.85mm2	
		CRIMP	SIZE	TYPE	RANGE
-	-	WIRE	2.54mm [.100]	F	14-18 AWG
-	-	INSUL	5.65mm [.222]	F	Ø3.1 MAX
WIRE STRIP LENGTH	TERM APPL SPEC	FEED	APPL INSTRUCTIONS	SET UP GAGE	
5.00-6.00	NONE	21.60	408-8039	458638-1	

REVISONS		DATE	OWN	APPD
A	RELEASED	23MAY2008	BH	BH

- 1 RECOMMENDED SPARE PARTS
- 2 GREASE LIGHTLY
- 3 GUARD MUST BE IN PLACE WHEN OPERATING APPLICATOR IN A BENCH MACHINE



REV	QTY	U/M	PART NO	DESCRIPTION	ITEM NO
-	2	-	3-354779-9	PIN, WIRE DISC, .3185	129
-	2	-	3-354779-2	PIN, WIRE DISC, .3150	128
-	2	-	2-354779-5	PIN, WIRE DISC, .3115	127
-	2	-	2-354779-4	PIN, WIRE DISC, .3110	126
-	REF	-	455745-1	GUARD WINDOW	79
-	REF	-	679532-1	INSERT, GUARD	78
-	1	-	465184-9	LUBRICATOR ASSY	77
-	1	1	690603-1	SPRING ASSIST AMP-O-MATOR APPLICATOR	74
-	1	1	217238-1	GENERAL INSTRUCTION PKG	72
-	1	1	4088039	EF APPL INST 408-8039	71
-	1	1	461264-1	PLATE, IDENTIFICATION	67
-	2	2	21017-2	SCREW, DRIVE	66
-	1	1	986950-1	WASHER, FLAT PRECISION	64
-	1	1	21009-2	SCR, SET, SELF LOCKING 1/4-20 X .250	63
-	1	1	23030-1	SCR, SKT HD CAP 6-32 X .25	62
-	1	1	22733-8	SCR, BHSC, SELF-LOCKING, 8-32 X .375	60
-	2	2	2-21000-8	SCR, SKT HD CAP 8-32 X .625	58
-	3	3	2-21000-6	SCR, SKT HD CAP 8-32 X .375	57
-	2	2	2-21000-7	SCR, SKT HD CAP 8-32 X .500	56
-	2	2	21018-4	NUT, HEX, REG 4-40	54
-	2	2	21022-2	NUT, LOCK, HEX, TORQUE, 8-32	53
-	2	2	2-21006-6	SCR, SET, CUP POINT 4-40 X .625	52
-	1	1	1-21002-7	SCR, BTN SKT CAP 6-32 X .375	49
-	1	-	690501-3	CAM, POST FEED, 1 1/8	48
-	-	1	690501-4	CAM, POST FEED, 1 5/8	47
-	1	1	458980-1	SUB ASSY, APPLICATOR FRAME	46
-	1	1	690191-1	PLUG, NYLON	45
-	1	1	455674-1	RAM	44
-	1	1	690125-1	SHIM SUB-ASSY	43
-	1	1	690124-1	WASHER, RAM (.115)	42
-	1	1	7-21002-9	SCR, BTN SKT HD CAP 5/16-24 X 1.00	41
-	1	1	23241-6	BALL, STEEL	40
-	1	1	690170-1	SPRING, COMPRESSION	39
-	1	1	1-690142-3	DISC, INSULATION	38
-	1	1	354777-1	WIRE DISC, ASSEMBLY	37
-	1	1	22480-5	SPRING, COMPRESSION	36
-	1	1	690212-1	POST, RAM	35
-	7	7	21024-4	WASHER, SPRG LOCK, REG NO 8	32
-	2	2	3-21002-0	SCR, BTN SKT HD CAP 10-32 X .875	31
-	2	2	2-21002-2	SCR, BTN SKT HD CAP 8-32 X .500	29
-	1	1	1-690451-7	SPACER, STRIPPER	28
-	1	1	240639-1	STRIPPER (MACHINING)	27
-	2	2	22354-8	STUD, THREADED	25
-	1	1	455678-1	PLATE, STRIP GUIDE	24
-	1	1	240825-8	PLATE, STRIP HOLD DOWN	23
-	2	2	4-22281-1	SPRING, DRAG	22
-	1	1	454177-1	DRAG	20
-	2	2	454204-3	GUIDE, LOWER STRIP	18
-	4	4	3-21002-3	SCR, BTN SKT HD CAP 1/4-20 X .500	17
-	1	1	690481-9	SPACER, HOLD DOWN	13
-	1	1	23846-1	SPRING, DIE	12
-	1	1	240644-1	PLATE, REAR SHEAR	11
-	-	-	-	-	10
-	1	1	1-690482-0	PLATE, FRONT SHEAR	9
-	1	1	2-1633249-7	ANVIL, COMBINATION	8
-	1	1	690474-3	BLADE, SLUG	7
-	1	1	1-455892-4	HOLD DOWN, TERMINAL	6
-	1	1	5-240641-0	SPACER	5
-	1	1	238009-3	BLOCK, FL CRIMPER SPACER	4
-	1	1	456134-2	CRIMPER, INSULATION F PREMIUM	3
-	1	1	455888-8	SPACER, CRIMPER	2
-	1	1	3-456407-2	CRIMPER, WIRE PREMIUM	1

REV	QTY	U/M	PART NO	DESCRIPTION	ITEM NO	
-77	-2	-1	U/M	PART NO	DESCRIPTION	ITEM NO

APPROVED: B. HIGMAN	DATE: 15MAY2008	DESIGNED: T. ELBIN	DATE: 15MAY2008	NAME: END FEED HDM APPLICATOR
DIMENSIONS: INCHES		TOLERANCES UNLESS OTHERWISE SPECIFIED:		SCALE: 3:5
0 PLC	±	1 PLC	±0.1	SHEET 1 OF 1
2 PLC	±0.01	3 PLC	±0.001	REV A
4 PLC	±0.0001	ANGLES		