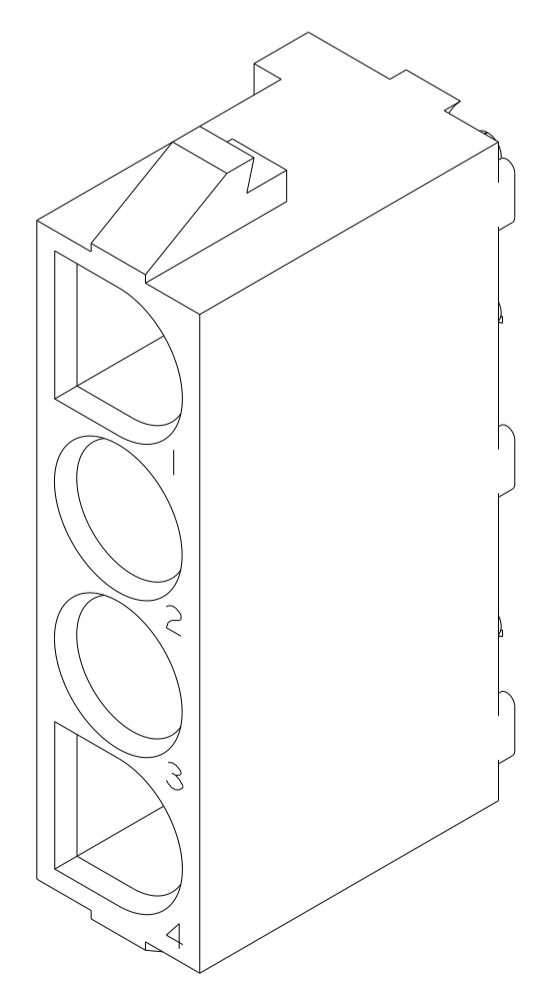
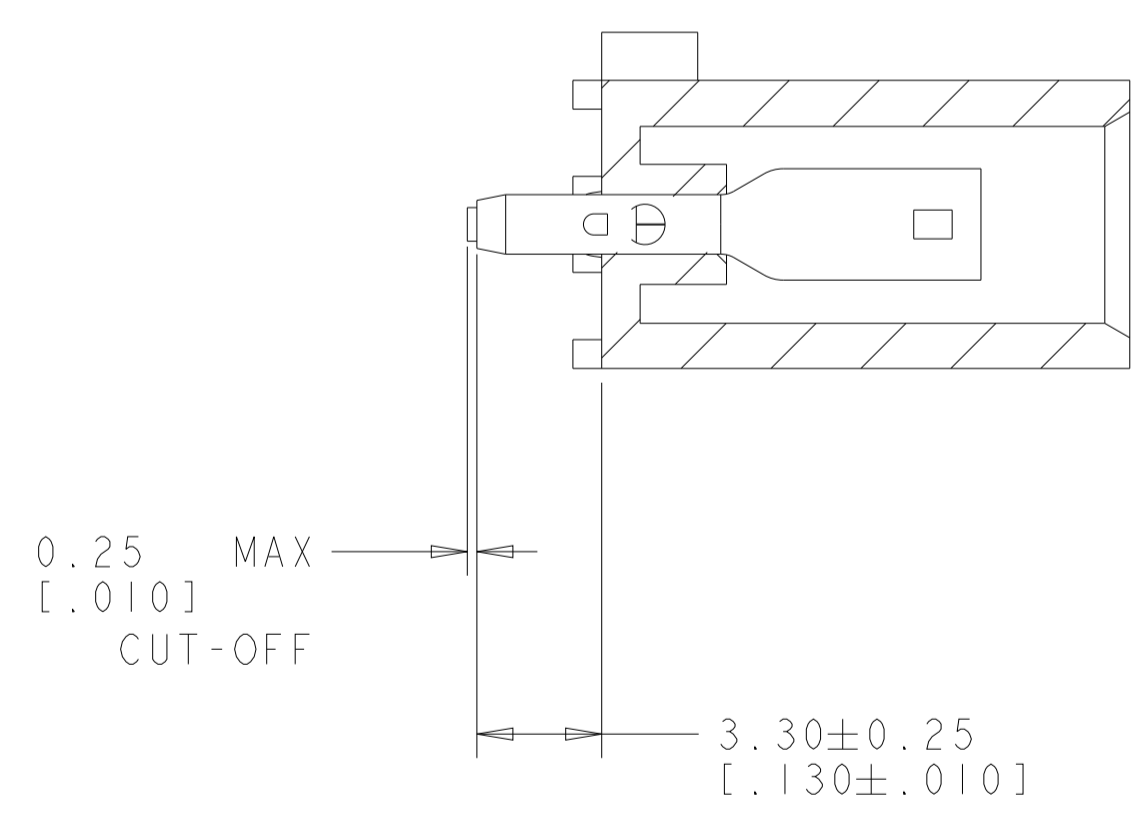
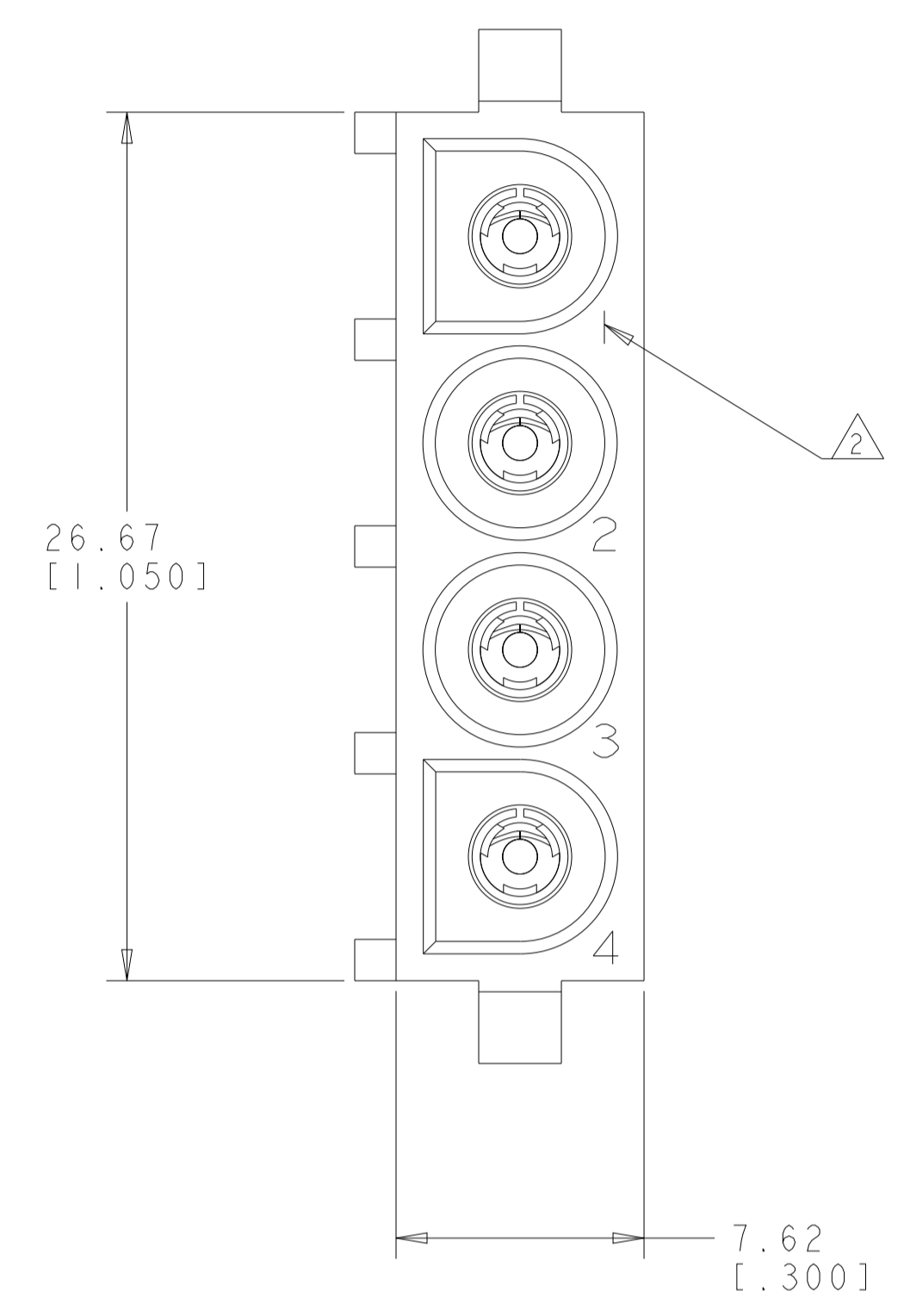
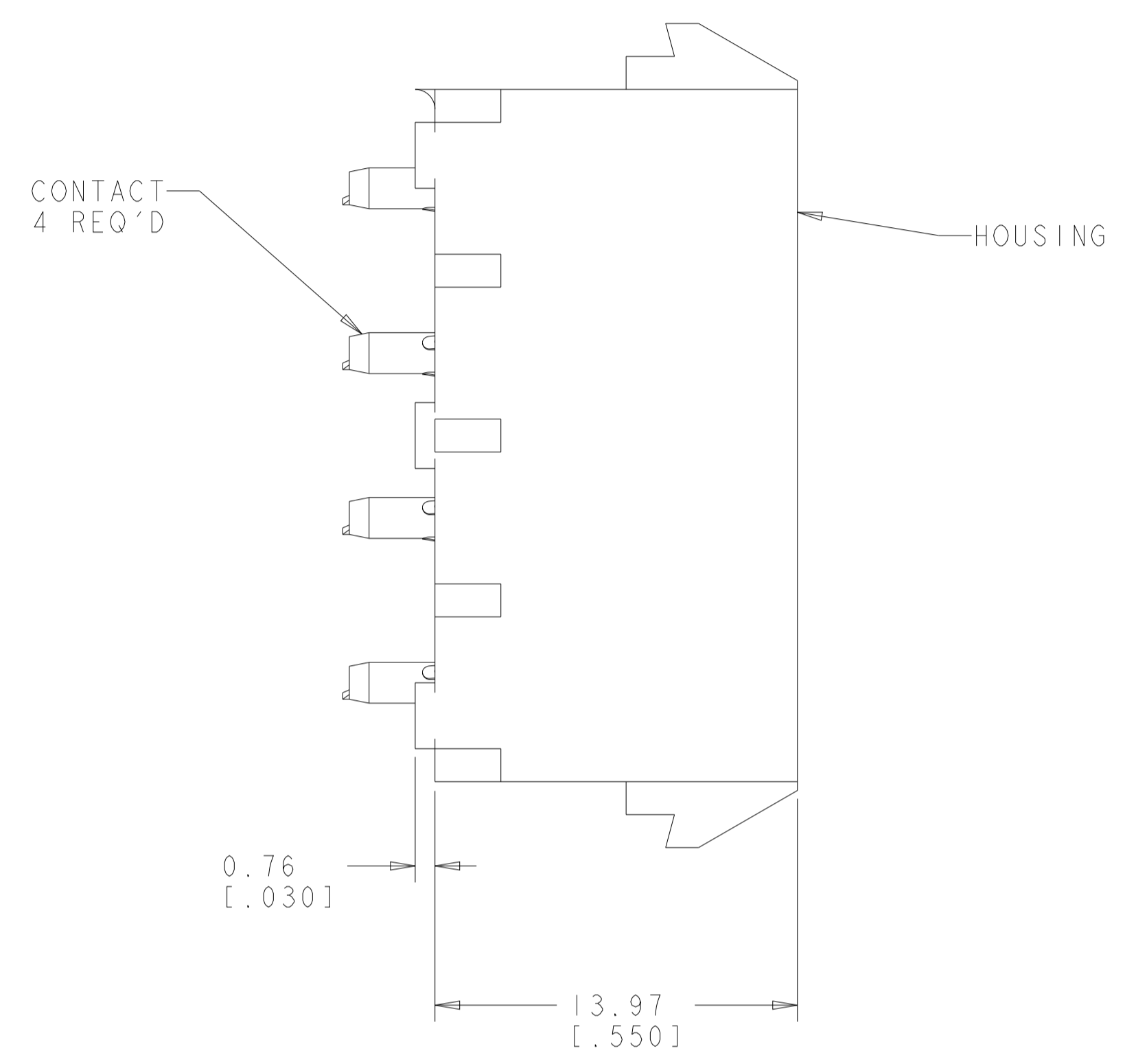
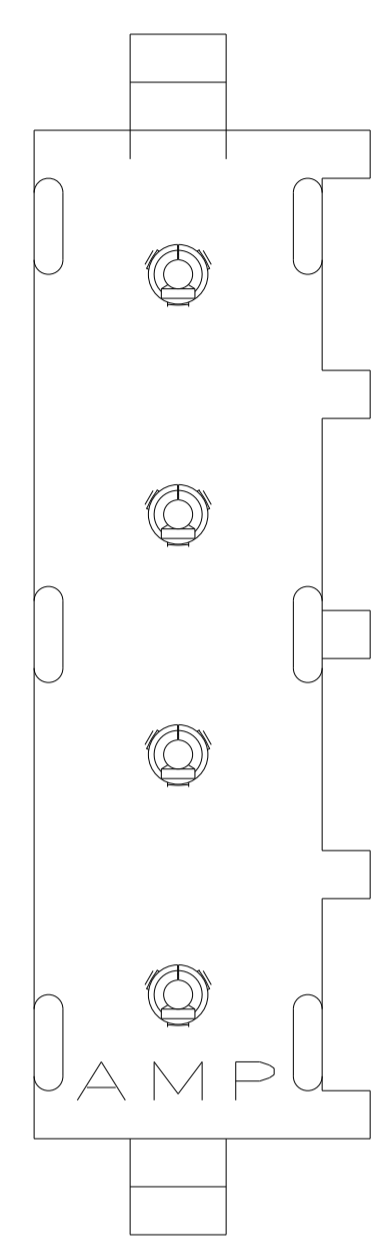
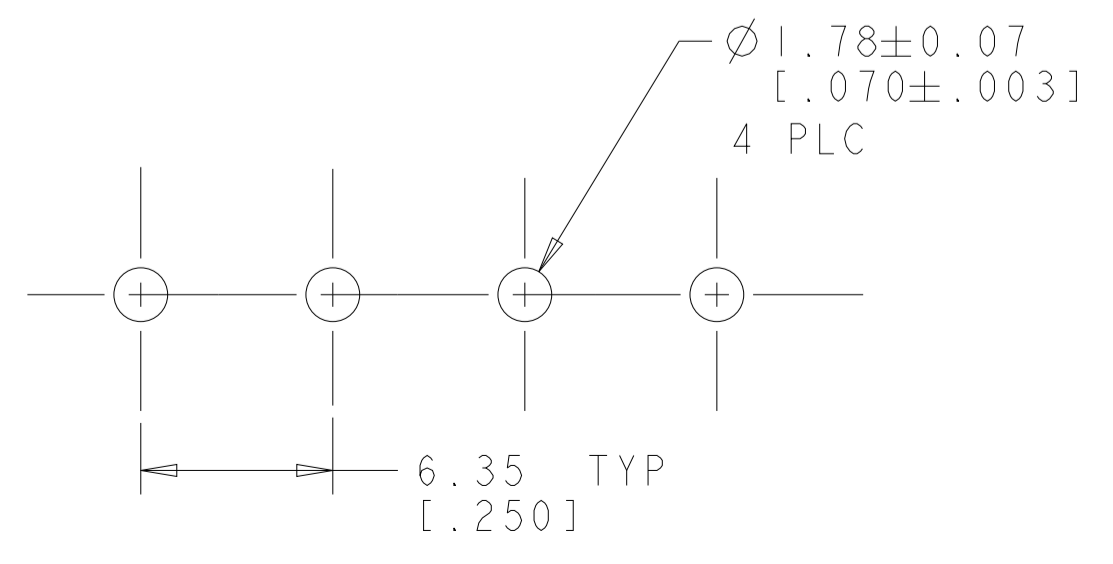


LOC	DIST	REVISIONS					
		P	LTN	DESCRIPTION	DATE	DWN	APVD
CM	00	A		RELEASED PER WR-07-123	25SEP2007	KW	DC
		A1		REVISED PER ECR-21-119230	08NOV2021	SS	VS

- PARTS COMPLY TO AMP SOLDERABILITY SPECIFICATION 109-11-2.
- CIRCUIT IDENTIFICATION CHARACTERS ARE ADJACENT TO THE INDICATED CAVITIES, BUT LOCATION AND ORIENTATION MAY DIFFER FROM PRINT.
- DIMENSIONS SHOWN REPRESENT PRODUCT IN DRY CONDITION. ADDITIONAL 2% GROWTH DUE TO END USE LOCATION MOISTURE ABSORPTION MAY OCCUR AND SHOULD BE ACCOUNTED FOR.

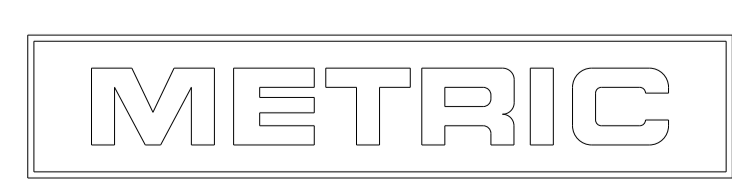


3 DIMENSIONAL MODEL
SCALE 4:1



RECOMMENDED MOUNTING HOLE PATTERN
FOR 1.57 [.062] THICK P.C. BOARD

PHOSPOR BRONZE, PRE-TIN PIN CONTACT MATERIAL AND FINISH	NYLON, UL94V-0, NATURAL HOUSING MATERIAL AND COLOR	2029001-1 PART NUMBER
--	---	--------------------------



DIMENSIONS: mm [INCHES]		TOLERANCES UNLESS OTHERWISE SPECIFIED:		DWN K. WHITAKER 25SEP2007		Tyco Electronics Harrisburg, PA 17105-3608	
0 PLC	±	0 PLC	±	CHK D. COLEY 25SEP2007	NAME SOCKET HEADER ASSEMBLY, 4 CIRCUIT, SHORT TAIL, UNIVERSAL MATE-N-LOK(TM)		
1 PLC	±	1 PLC	±0.131(.005)	APVD D. COLEY 25SEP2007	SIZE CAGE CODE DRAWING NO RESTRICTED TO A1 00779 ©=2029001		
2 PLC	±	2 PLC	±	PRODUCT SPEC	WEIGHT -		
3 PLC	±	3 PLC	±	APPLICATION SPEC	CUSTOMER DRAWING		
4 PLC	±	4 PLC	±	ANGLES	SCALE 5:1 SHEET 1 OF 1 REV A1		
FINISH	SEE TABLE	FINISH	SEE TABLE				