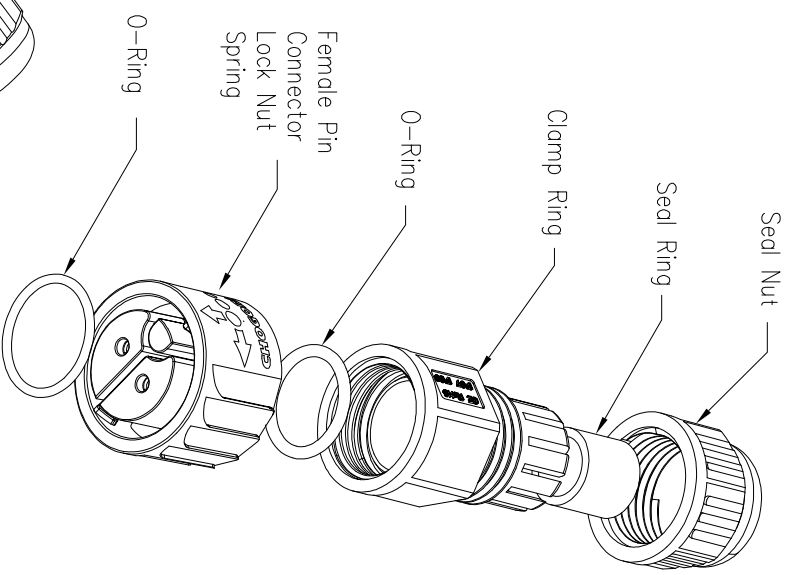
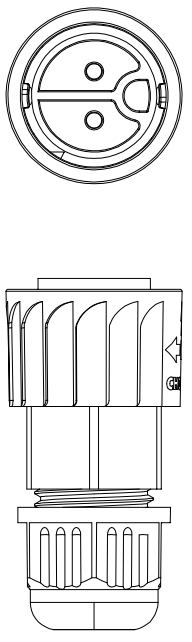
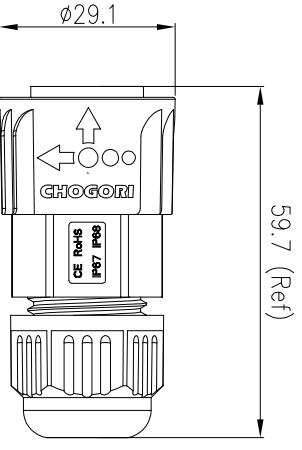
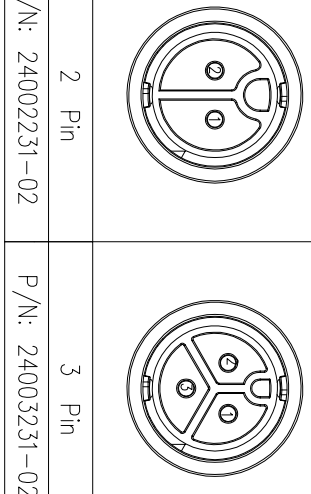


REV.	EN. NO.	DESCRIPTION	SIGN	DATE
C1	N/A	INITIAL DRAWING	Liu	2019/08/13



24XXX231-XX Cable Range OD  
 01 OD:  $\phi 3.5\text{mm} \sim \phi 6.8\text{mm}$   
 02 OD:  $\phi 6.8\text{mm} \sim \phi 10.5\text{mm}$   
 Pin Number



Pin Assignments Front View

P/N: 24002231-02 P/N: 24003231-02



UNIT: mm  
 TOLERANCE  
 X  $\pm 0.25$   
 XX  $\pm 0.15$   
 XXX  $\pm 0.05$   
 ANGLES  $\pm 1'$

DESCRIPTION Large Series Push Lock Male Plug With Female Pin

SCALE: 1:1  
 REV: C1  
 SIZE: A4  
 SHEET: 1 OF 1  
 \* : Inspection Item



PART NO 24XXX231-XX

DWG NO  
 CUSTOMER

DRAWN BY Liu

CHECKED BY Mo  
 APPROVED BY Panson

DATE 2019/08/13

DATE 2019/08/13  
 DATE 2019/08/13

- Specification:
- 1.Operation Temperature:  $-45^{\circ}\text{C} \sim 105^{\circ}\text{C}$ .
  2. Insulation Resistance:  $100\text{M}\Omega$  at DC500V.
  3. Contact Resistance:  $<10\text{m}\Omega$ .
  4. Withstand Voltage: 2000V AC
  5. Operating Current: 20A
  6. Operating Voltage: AC 300V
  7. Waterproof Rate: IP67 (Mated)
  8. Seal Nut: Nylon, Black
  9. Seal Ring: Silicon, Black.
  10. Clamp Ring: Nylon, Black
  11. O-Ring: Silicon, Red
  12. Female Pin: Copper Alloy, Gold Plated
  13. Connector: Nylon+GF, Black
  14. Lock Nut: Nylon, Orange
  15. Spring: SUS
  16. O-Ring: Silicon, Red
  14. RoHS Compliant.
  15. UL Compliant.
  16. Mating Cap: 804-00008-00