

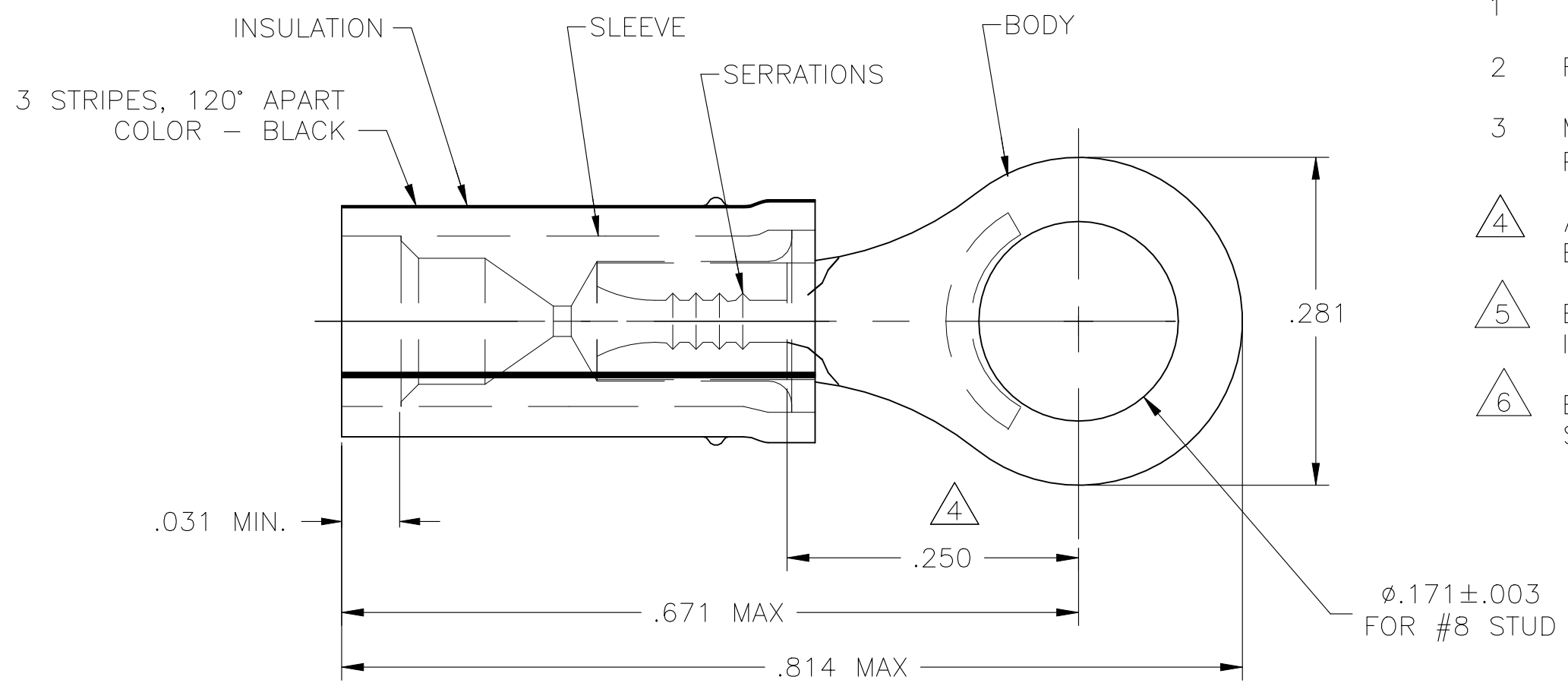
© - TE Connectivity. All Rights Reserved.

REVISIONS				
P	LTR	DESCRIPTION	DATE	APVD
F1		REVISED PER ECN-22-156403	03JUN2022	RK CSD

**AMP**  
WIRE RANGE

---

26 AWG  
STRANDED



- 1 TONGUE MATERIAL THK: .027±.001.
- 2 FOR .026 TO .055 WIRE INS. OD.
- 3 MUST BE CRIMPED WITH 22-18 OR 22-16. PIDG (RED)TOOL.
- 4 APPLIED FROM EDGE OF METAL WIRE BARREL TO CENTER OF STUD HOLE.
- 5 BODY & SLEEVE: CU PER ASTM B152 INSULATION: NYLON, COLOR - YELLOW.
- 6 BODY; TIN PLATE PER ASTM B545 SLEEVE: NI PLATE PER QQ-N-290.

M7928/1-4 CLASS 1	1	WIRE TERMINAL	53051
MILITARY P/N AND CLASS	QTY	PACKAGE TYPE	PART NO

**AMP INCORPORATED  
CUSTOMER SERVICE SYSTEMS**

MAX RECOMMENDED OPERATING TEMPERATURE:  
105°C [221°F]

VOLTAGE RATING:  
300V MAX

CIRCULAR MIL AREA:  
0.12-0.15mm² [238-304]  
STRANDED

FOR ADDITIONAL PRODUCT INFORMATION OR COPIES OF DRAWINGS AND TECHNICAL DOCUMENTS  
PRODUCT INFORMATION CENTER  
1-800-522-6752

FOR APPLICATION TOOLING ASSISTANCE CENTER  
TOOLING INFORMATION  
1-800-722-1111

FOR ORDER ENTRY  
1-800-526-5142

THIS DRAWING IS A CONTROLLED DOCUMENT FOR AMP INCORPORATED. IT IS SUBJECT TO CHANGE AND THE CONTROLLING ENGINEERING ORGANIZATION SHOULD BE CONTACTED FOR THE LATEST REVISION.

THIS DRAWING IS A CONTROLLED DOCUMENT.

DIMENSIONS: INCHES

TOLERANCES UNLESS OTHERWISE SPECIFIED:

0 PLC	± -
1 PLC	± -
2 PLC	± .008
3 PLC	± -
4 PLC	± -
ANGLES	± -

MATERIAL 5

FINISH 6

DWN JR RUTH 28OCT08

CHK TOM MICHIELUTTI 28OCT08

APVD TOM MICHIELUTTI 28OCT08

NAME: TOM MICHIELUTTI

PRODUCT SPEC: -

APPLICATION SPEC: -

WEIGHT: -

SIZE: A3

CAGE CODE: 00779

DRAWING NO: C-53051

RESTRICTED TO: -

CUSTOMER DRAWING

SCALE: 8:1

SHEET: 1 OF 1

REV: F1



TE Connectivity

TERMINAL, PIDG, RING TONGUE,  
INSULATION RESTRICTING  
WIRE SIZE: 26