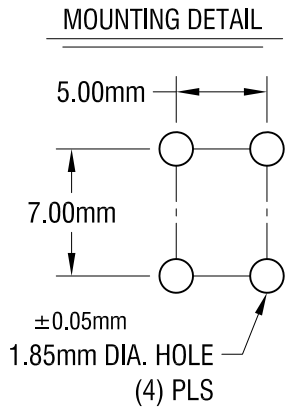
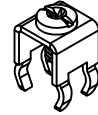
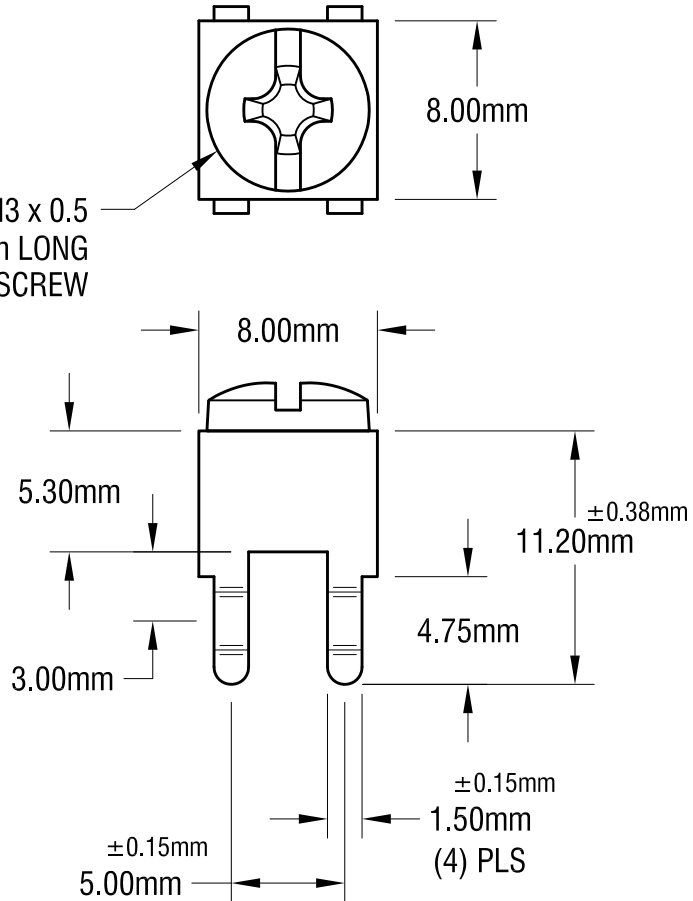
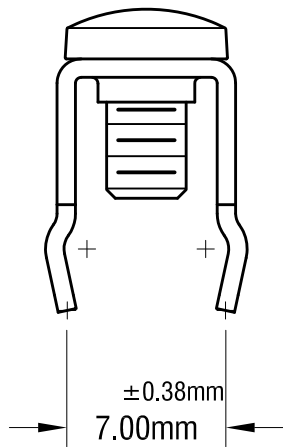


THIS DOCUMENT IS THE PROPERTY OF KEYSTONE ELECTRONICS CORP. AND SHALL NOT BE REPRODUCED, DISTRIBUTED OR USED AS A BASIS FOR MANUFACTURE WITHOUT PRIOR WRITTEN PERMISSION FROM KEYSTONE ELECTRONICS CORP.

**ACTUAL SIZE**



M3 x 0.5  
6.00mm LONG  
CAPTIVATED SCREW



**NOTE:**

1. ALL DIMENSIONS ARE IN MILLIMETERS.
  2. TERMINAL:  
MAT'L - 0.8mm TH'K BRASS, MATTE TIN PLATE
- SCREW:  
MAT'L - BRASS, NICKEL PLATE

7.15.09	CHANGE AS PER ECN 09-102	D
11.18.08	CHANGE AS PER ECN 08-179	C
12.28.07	CHANGE AS PER ECN 17-098	B
DATE	DESCRIPTION	REV.

<b>KEYSTONE ELECTRONICS CORP.</b>			
www.keyelco.com • NEW HYDE PARK, NY 11040 • Tel (516) 328-7500			
PART NAME		PC METRIC SCREW TERMINAL	
MATERIAL		AS NOTED	
FINISH		DRN BY	DATE
AS NOTED		BOONE	4.18.01
TOLERANCES		APP'D	SCALE
DECIMAL ± .010 [± 0.25 ]		RH	3X
ANGULAR ± 1°		DWG NO.	
UNLESS OTHERWISE SPECIFIED		7696	