

25mm by 25mm by 25mm, 3 wire 12VDC AXIAL FAN, 3rd wire 'Low On Pass'**Summary –**

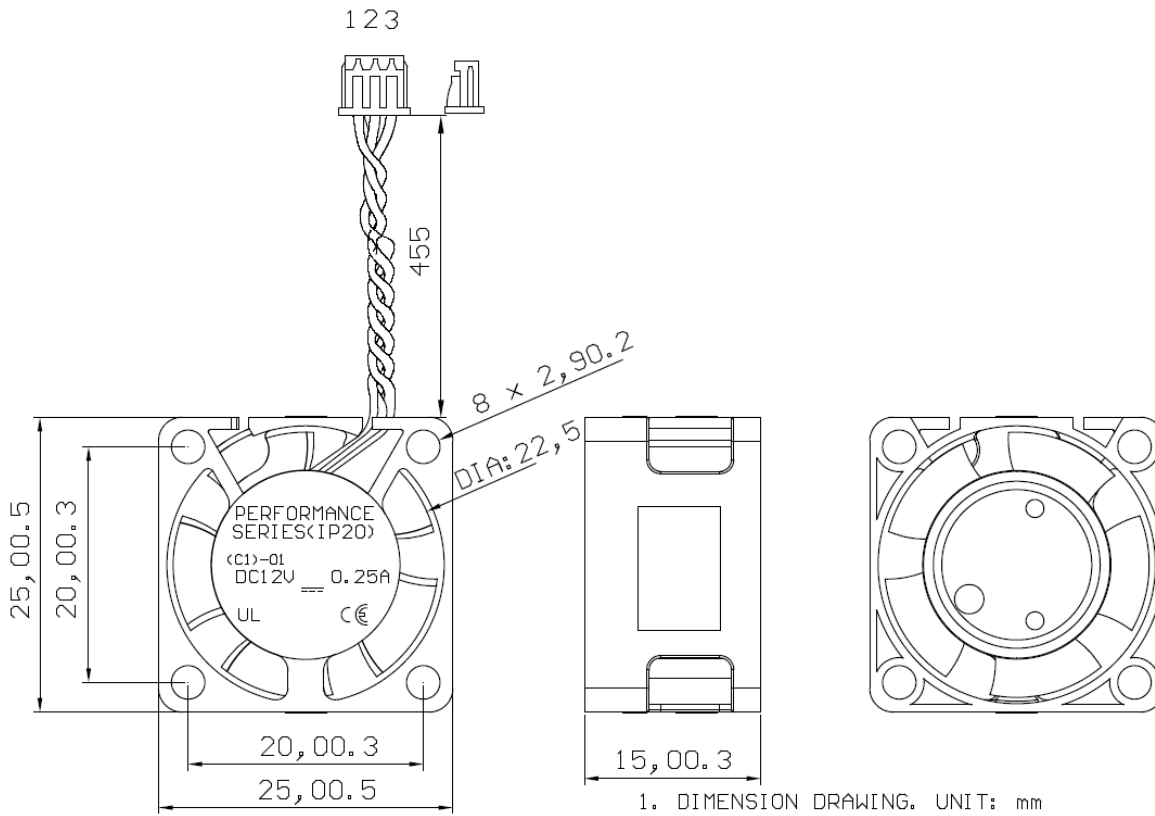
High pressure compact-axial fan with 3rd wire 'Low On Pass' output signal. 70K hours continuous life at 40 degrees C ambient.

UL and CE approved. Other 3rd and 4th wire options available (Tacho / 'high on pass' / 'low on pass').

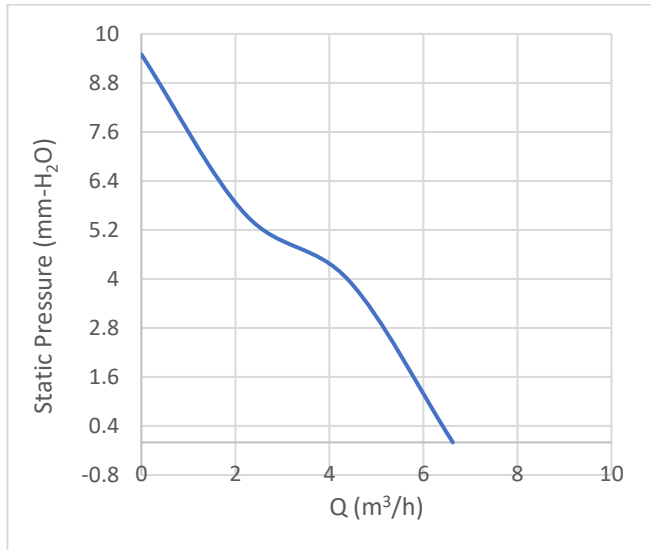
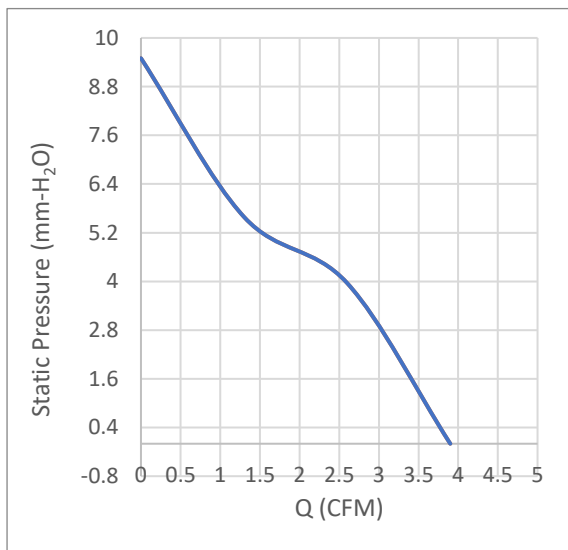
**Features -**

- 3 wire input 12VDC, 3rd wire 'Low On Pass' output signal wire
- 12VDC / 3 Watts
- 3.9CFM free delivery / 0.37" / H2O
- IP20 (IP54 coating available upon request)
- Premium Quality Ball Bearing system
- Operating Temperature Range: -20 to +70 degrees C
- Storage Temperature Range: -30 to +70 degrees C
- Leadwires:
 - Red – 12VDC / Black – OVDC / Blue with white candy stripe – High On Pass
- UL file number: E512161
- Weight: 15 grams
- Acoustic Noise: 47 dBA

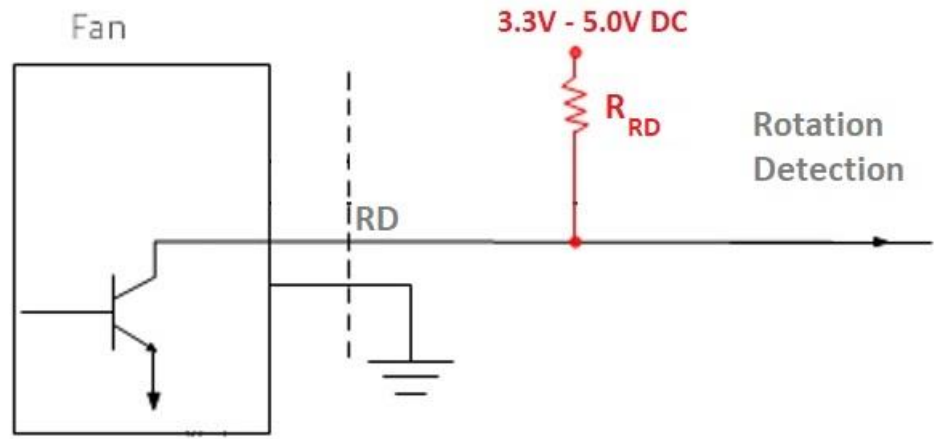
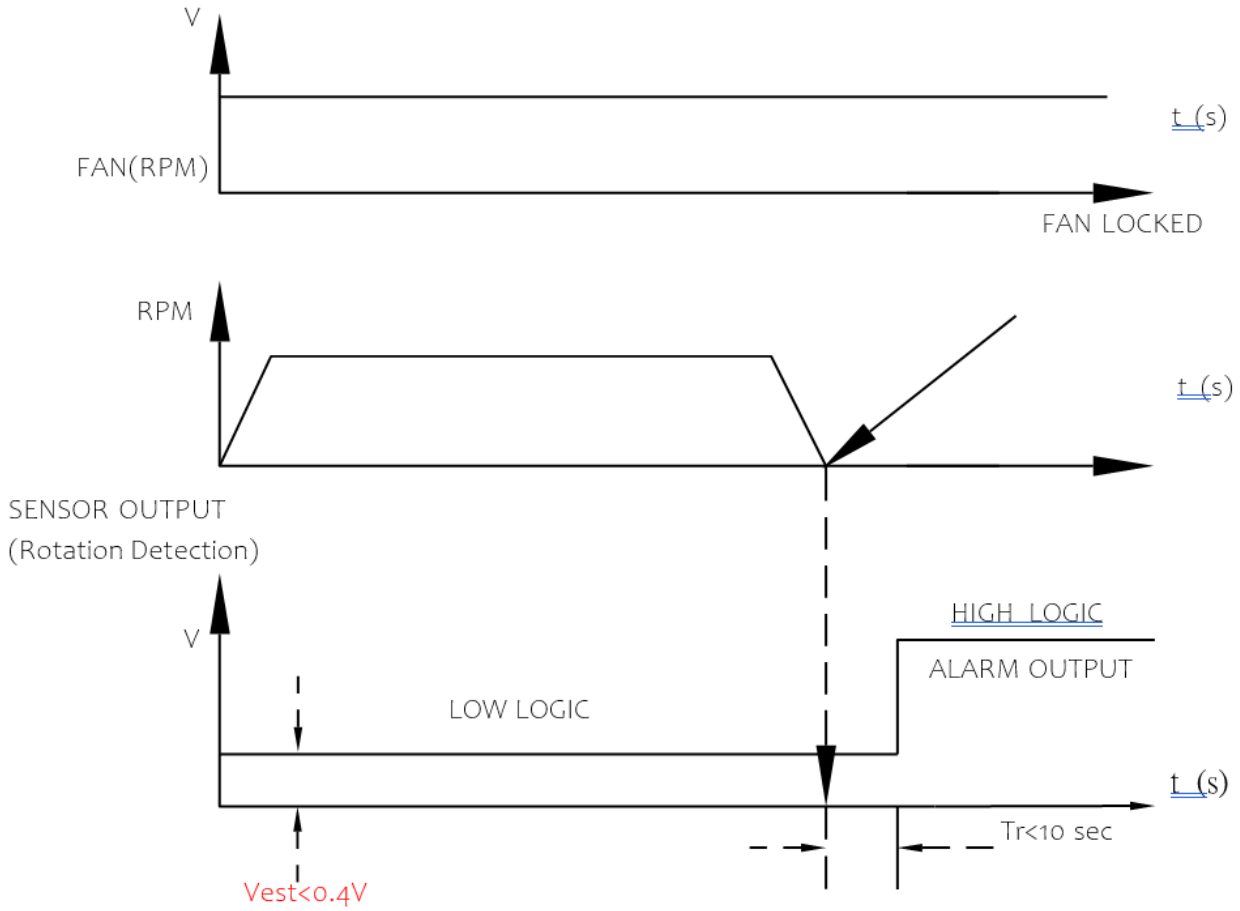
Dimensions -



Airflow / Pressure Curve -



3rd Wire 'Low On Pass' Circuit



NB: Suggested pull-up resistor value of 1K to 10K Ω