



- PQ2625 Core Package
- Through Hole Design
- Operating Temperature Range: -40°C to +85°C



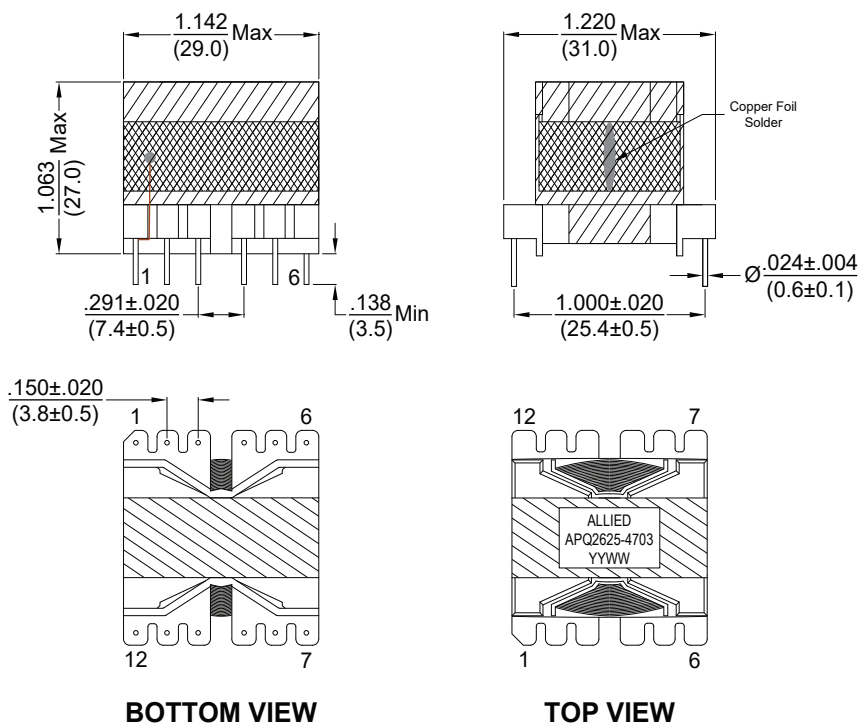
Electrical Specifications @25°C

| Inductance @100KHz, 1.0V | | DC Resistance (mΩ Max) | HiPot 50Hz / 60Hz 5mA / 2Sec | Insulation Resistance 100MΩ Min |
|--------------------------|-----------------|------------------------|------------------------------|---------------------------------|
| L (9 - 10) | L7.0A (9 - 10) | (9 - 10) | Pri - Core | Pri - Core |
| 160μH ±10% | ≥L0 (9 -10)*85% | 75.0 | 1800VAC | 500VDC |

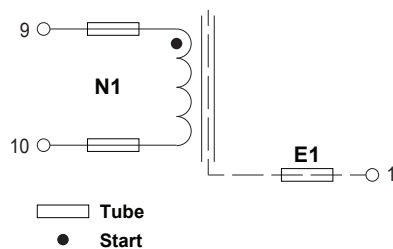
All specifications subject to change without notice

MECHANICAL

Dimensions: $\frac{\text{inch}}{\text{mm}}$



SCHEMATIC



WINDING CONSTRUCTION

