

## Board Modification

The ATtiny reset was unintentionally connected directly to the TinyShield reset line.  
It was intended to be separate and connected to IO9 by R6. This connection is cut on production PCBs

### Power

Servo power input is connected to UBATT line by default using a 0 ohm resistor!  
Resistor can be cut or removed to power servos and processor board separately.

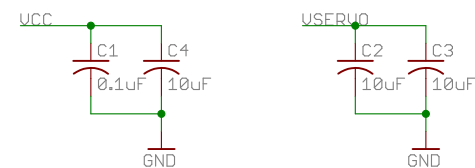
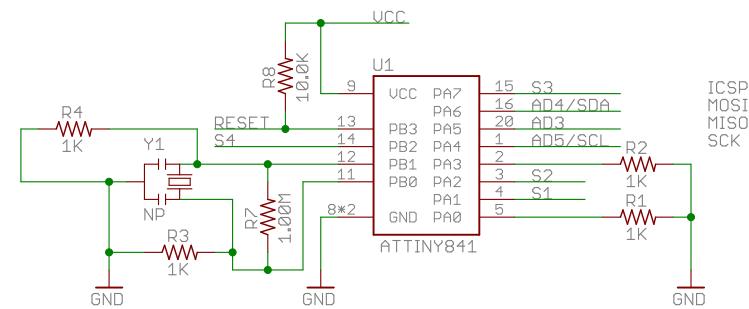


### Reset

Reset is connected to processor IO 9 by default using PCB trace.



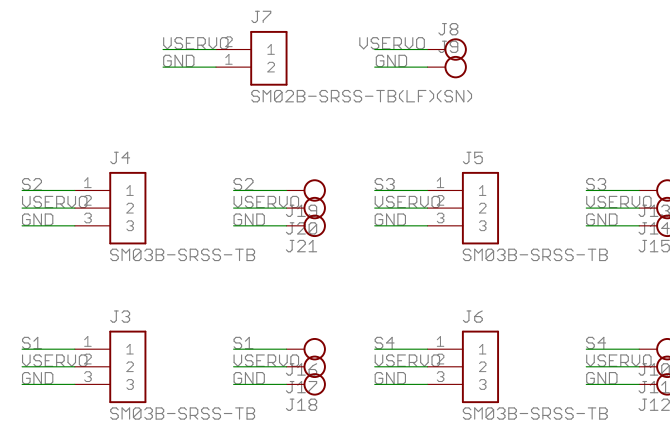
### ATTiny841 Servo Driver



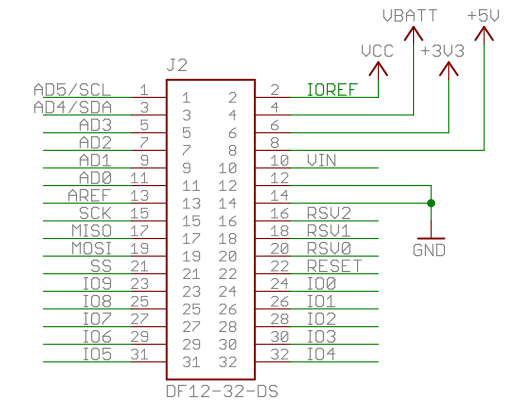
Variant: Standard - R  
Non Populated: R7, Y1, J3, J4, J5, J6, J7  
Hand Populated: -  
Hand Soldered: -  
Notes: -

Variant: JST - R-J  
Non Populated: R7, Y1  
Hand Populated: -  
Hand Soldered: -  
Notes: -

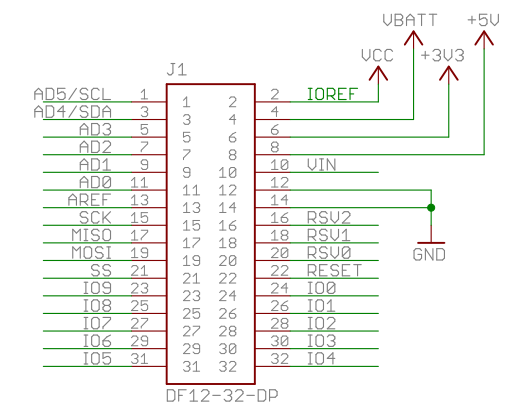
### External Connections



### TinyShield Expansion - Bottom



### TinyShield Expansion - Top



Released under the Creative Commons Attribution Share-Alike 3.0 License  
<http://creativecommons.org/licenses/by-sa/3.0>

Original Arduino Uno Design by Team Arduino  
LilyPad Arduino Design by Leah Buechley and Sparkfun Electronics  
TinyDuino, TinyLily and TinyShield Designs by TinyCircuits

		<a href="http://www.TinyCircuits.com">http://www.TinyCircuits.com</a>	
TITLE: TinyShield - Servo Board			
Document Number: AS-SCH-ASD2303			REV: 3
Date: 5/9/2018 4:12:11 PM			Sheet: 1/1