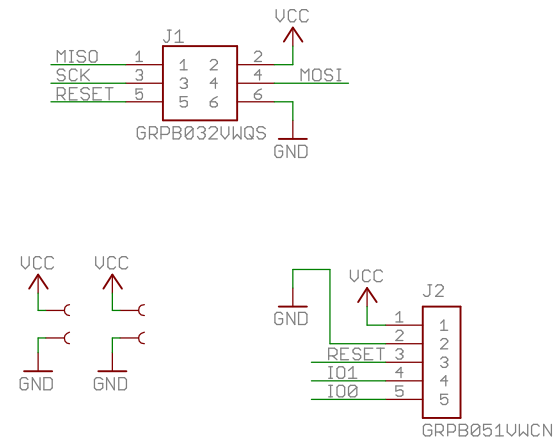


### ICSP & USB Adapter Connector



Released under the Creative Commons Attribution Share-Alike 3.0 License  
<http://creativecommons.org/licenses/by-sa/3.0>

Original Arduino Uno Design by Team Arduino  
 LilyPad Arduino Design by Leah Buechley and Sparkfun Electronics  
 TinyDuino, TinyLily and TinyShield Designs by TinyCircuits

		<a href="http://www.TinyCircuits.com">http://www.TinyCircuits.com</a>
TITLE: TinyLily Mini - 14mm		
Document Number:	AS-SCH-ASM2101	REV: 3
Date: 3/7/2016 6:54:19 PM	Sheet: 1/1	