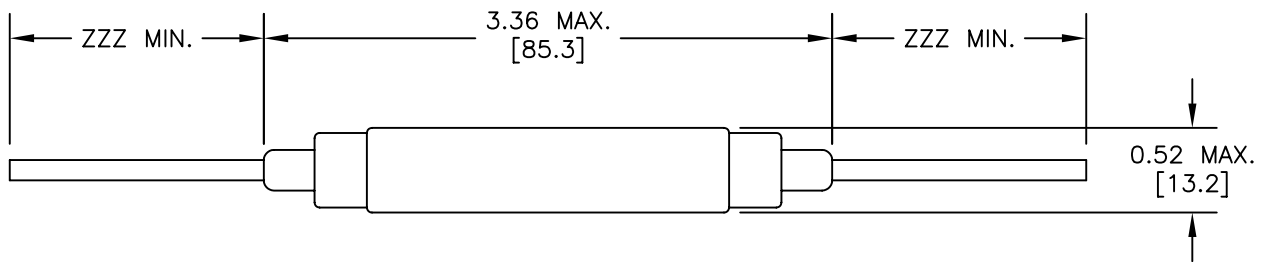
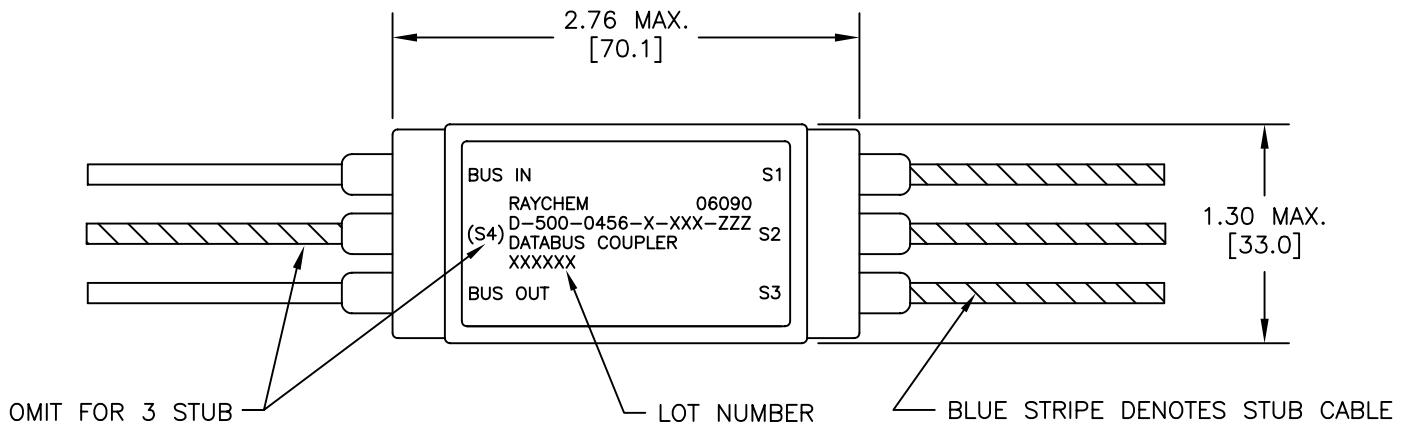


REVISION		
REV	DESCRIPTION	DATE
B	REVISED PER DCR NUMBER C050686	10/21/05



PART NO. D-500-0456-X-XXX-ZZZ

NUMBER OF STUBS ———
 XXX ———
 X ———
 ZZZ ———
 LENGTH OF CABLE (INCHES)
 CABLE TYPE
 612: 10612 (SINGLE OPTIMIZED BRAID)
 613: 10613 (DOUBLE OPTIMIZED BRAID)
 614: 10614 (EMP HARDENED)

**If this document is printed it becomes uncontrolled.
Check for the latest revision.**

SPECIFICATION CONTROL DRAWING			
© 2005 Tyco Electronics Corporation. All Rights Reserved.			
DRAWN T RATZLAFF	DATE 12DEC2001		Tyco Electronics 300 CONSTITUTION DRIVE MENLO PARK, CALIFORNIA 94025 USA
MATERIAL 		TITLE DATABUS COUPLER, THREE/FOUR STUB, IN-LINE, REVERSE	
FINISH 		SIZE A	CODE IDENT. NO. 06090
THIRD ANGLE PROJECTION 		DWG. NO. D-500-0456-3/4-XXX-ZZZ	Raychem
DO NOT SCALE THIS DRAWING			SHEET 1 OF 2

UNLESS OTHERWISE SPECIFIED DIMENSIONS ARE INCHES. METRIC DIMENSIONS ARE IN BRACKETS.

DECIMAL TOLERANCES
 .XXX ± 0.005 [0.13 mm]
 .XX ± 0.010 [0.25 mm]
 .X ± 0.020 [0.50 mm]

ANGLE TOLERANCE
 .X ± 0.5 DEG.

WEIGHT
 SEE NOTES

CAD FILE C050686A

1. MATERIAL AND FINISHES:

1.1 INTERNAL COMPONENTS

1.1.1 TRANSFORMER COMPLIES TO MIL-PRF-21038 AND MIL-STD-1553B

1.1.2 RESISTORS TO MIL-PRF-39007/9, 57.6 OHMS

1.2 SHIELDED CASE: ALUMINUM PER ASTM-B618

1.3 CABLE TYPE PER RAYCHEM SPECIFICATION 1200 (SEE PART NO. ON SHEET 1).

1.4 ENVIRONMENTAL COVERING: BLACK EPOXY

2. APPLICATION

2.1 THIS COUPLER IS DESIGNED TO BE INSTALLED INTO A DIGITAL MULTIPLEX ASSEMBLY MEETING THE REQUIREMENTS OF MIL-STD-1553B.

2.2 FOR CABLE SPLICING USE FLEXIBLE SPLICE KIT D-150-0708-5 (NOT SUPPLIED).

2.3 CABLE BEND RADIUS PER SAE-AS50881 STATIC BEND: 5 X CABLE O.D. MIN.
DYNAMIC BEND: 10 X CABLE O.D. MIN.

3. TEMPERATURE:

3.1 OPERATING TEMPERATURE: -65°C TO +150°C

4. PERFORMANCE SPECIFICATIONS:

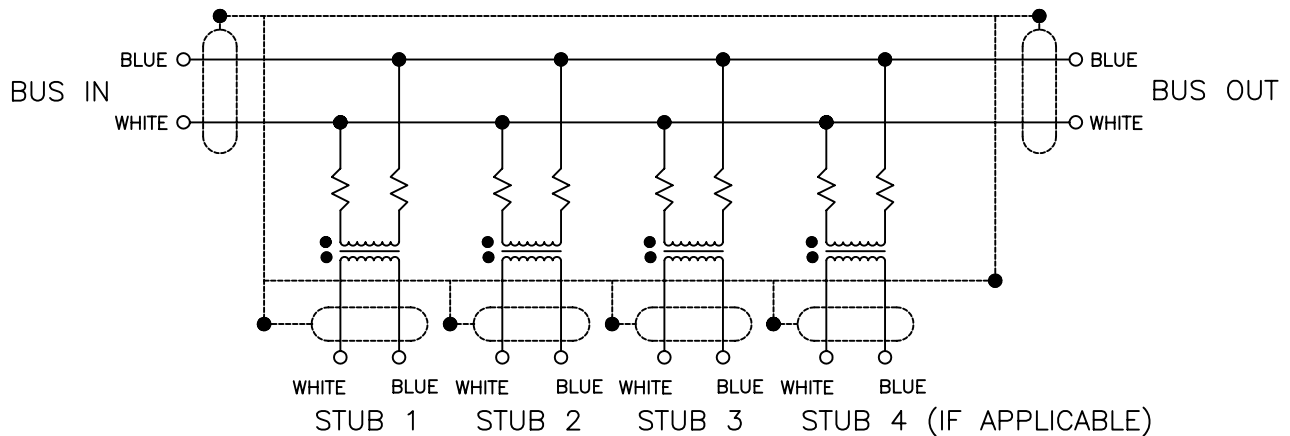
4.1 TRANSFORMER MEETS THE PERFORMANCE REQUIREMENTS OF MIL-STD-1553B.

4.2 COUPLER MEETS THE PERFORMANCE REQUIREMENTS OF RAYCHEM SPECIFICATION D-6020.

5. WEIGHT:

5.1 MAXIMUM WEIGHT WITHOUT CABLE: 50 GRAMS MAX.

THREE/FOUR STUB COUPLER SCHEMATIC



**If this document is printed it becomes uncontrolled.
Check for the latest revision.**

DRAWN	DATE
T. RATZLAFF	12DEC2001
CAD FILE	tyco
C050686B	Electronics

SPECIFICATION CONTROL DRAWING			
© 2005 Tyco Electronics Corporation. All Rights Reserved.			
SIZE	CODE IDENT. NO.	DWG. NO.	REV
A	06090	D-500-0456-3/4-XXX-ZZZ	B
DO NOT SCALE THIS DRAWING		SHEET 2 OF 2	