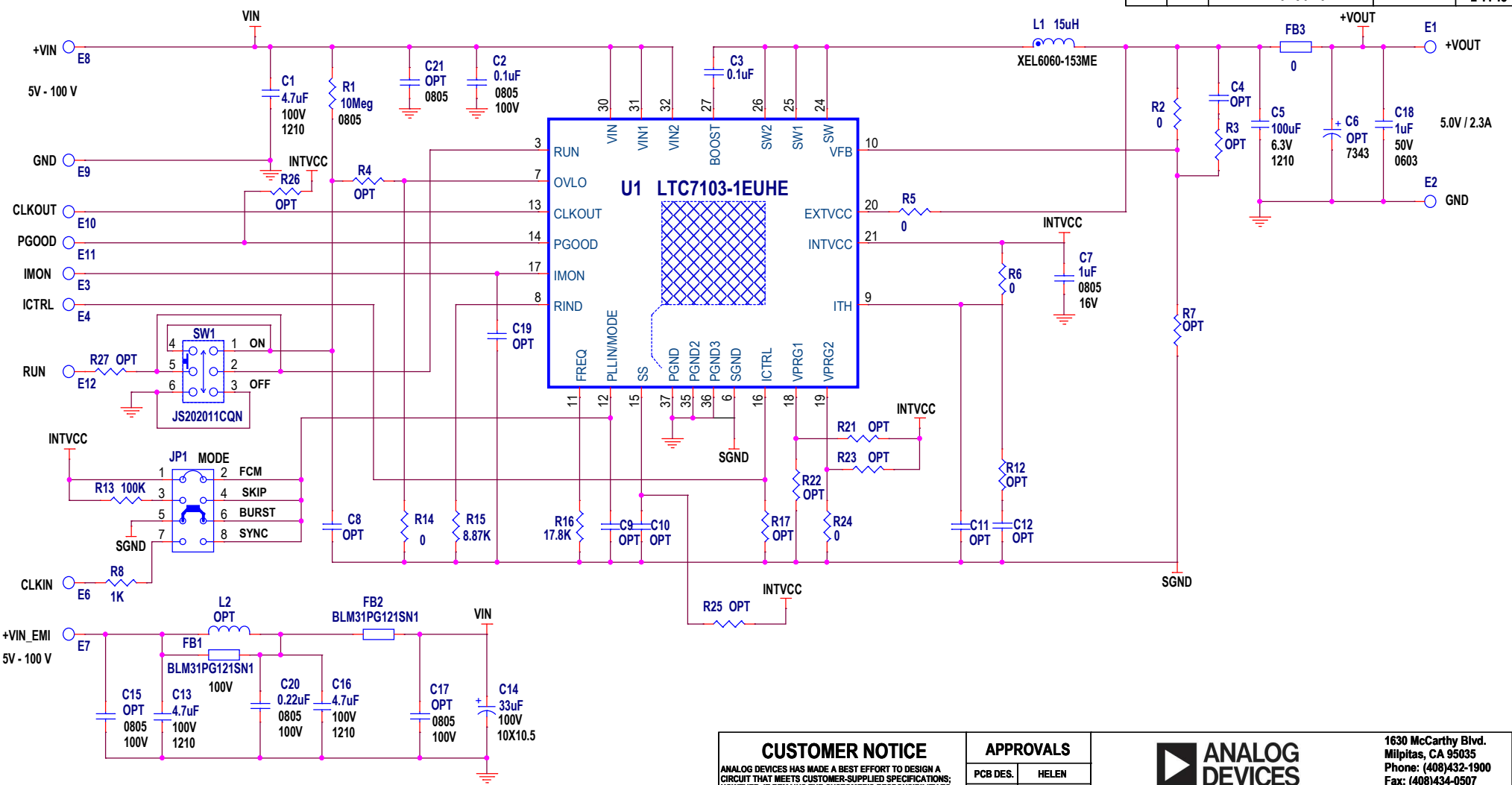


REVISION HISTORY				
ECO	REV	DESCRIPTION	APPROVED	DATE
—	1	PRODUCTION	KURK M.	2-14-18




100uF 6.3V Murata GRM32EC80J107ME20L (X6S 1210).
 33uF 100V Panasonic EEEFK2A330P
 4.7uF 100V Murata GRM32ER72A475KE14 (X7R 1210).
 0.22uF 100V 0805 TAIYO YUDEN HMK212B7224KGH
 FB1,FB2 Ferrite Bead Murata BLM31PG121SN1
 L1 15uH Coilcraft XEL6060-153ME

Unless otherwise specified:
 All resistors are in ohms 0603.
 All capacitors are in microfarads 0603.
 All capacitors are 25V.
 1/16W = 0402, 1/10W = 0603, 1/8W = 0805, 1/4W = 1206, 1W = 2512.

CUSTOMER NOTICE
 ANALOG DEVICES HAS MADE A BEST EFFORT TO DESIGN A CIRCUIT THAT MEETS CUSTOMER-SUPPLIED SPECIFICATIONS; HOWEVER, IT REMAINS THE CUSTOMER'S RESPONSIBILITY TO VERIFY PROPER AND RELIABLE OPERATION IN THE ACTUAL APPLICATION. COMPONENT SUBSTITUTION AND PRINTED CIRCUIT BOARD LAYOUT MAY SIGNIFICANTLY AFFECT CIRCUIT PERFORMANCE OR RELIABILITY. CONTACT ANALOG DEVICES APPLICATIONS ENGINEERING FOR ASSISTANCE.

APPROVALS	
PCB DES.	HELEN
APP ENG.	KURK M.



AHEAD OF WHAT'S POSSIBLE™

1630 McCarthy Blvd.
 Milpitas, CA 95035
 Phone: (408)432-1900
 Fax: (408)434-0507
 www.analog.com

TITLE: SCHEMATIC

HIGH VOLTAGE MONOLITHIC STEP-DOWN CONVERTER

IC NO. LTC7103-1EUHE	SKEW NO. DC2833A	SCHMATIC NO. AND REVISION: 710-DC2833A_REV01
SIZE: N/A	DATE:	SHEET 1 OF 1

THIS CIRCUIT IS PROPRIETARY TO ANALOG DEVICES AND SUPPLIED FOR USE WITH ANALOG DEVICES PARTS.