

6

5

4

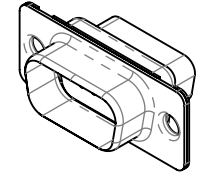
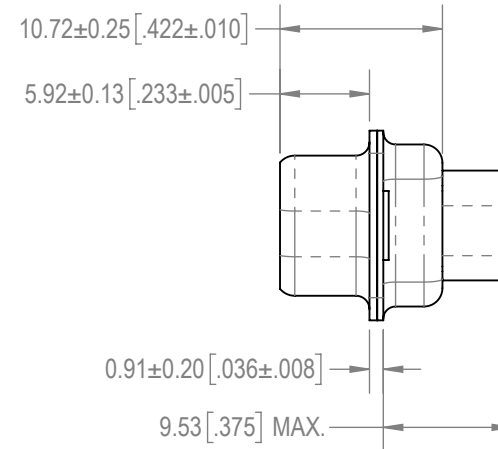
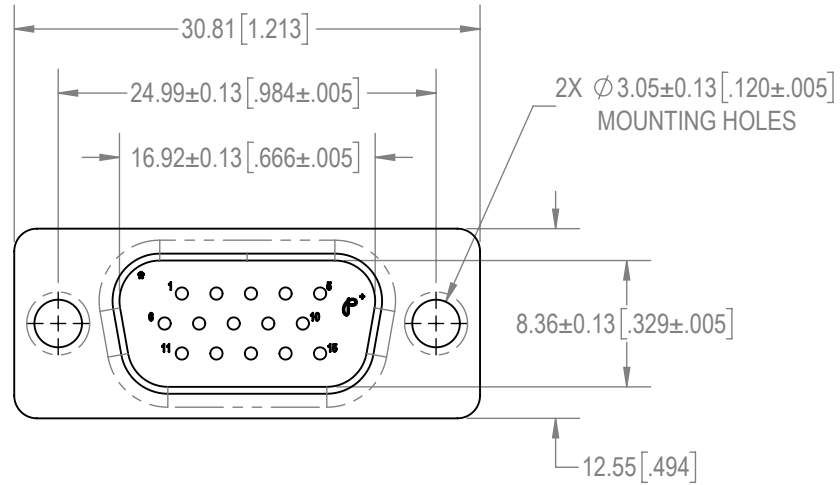
3

2

1

D

D

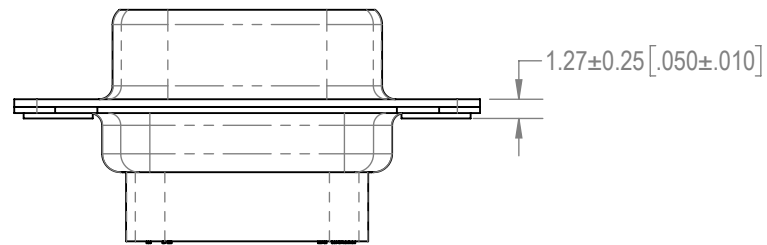


C

C

B

B



A

A

NOTES:

- MATERIALS AND FINISH:**
INSULATOR: GLASS FILLED POLYESTER PER ASTM D5927, UL 94V-0, COLOR: BLUE.
SHELLS: STEEL, ZINC PLATE WITH CHROMATE SEAL.
- DETAILED PRODUCT, MECHANICAL AND ELECTRICAL INFORMATION IS AVAILABLE IN THE LATEST HIGH DENSITY D-SUB PRODUCT PUBLICATION AT CONNECTPOSITRONIC.COM.
- CONNECTORS ARE COMPLIANT TO THE CURRENT RoHS DIRECTIVE.

BY GJ	CHK ND	3RD ANGLE 	POSITRONIC BELIEVES THE DATA ON THE DRAWING TO BE RELIABLE. THE USER EMPLOYS SUCH INFORMATION AT HIS OWN DISCRETION AND RISK. POSITRONIC ASSUMES NO RESPONSIBILITY FOR RESULTS OBTAINED OR DAMAGES INCURRED FROM USE OF SUCH INFORMATION IN WHOLE OR IN PART.	 Positronic® CONNECTPOSITRONIC.COM
APR PA	RELEASED DATE: 2020-08-05	SCALE NTS		
TOLERANCES ±0.03mm [.001 INCHES] FOR MALE CONTACT MATING DIAMETERS ±0.08mm [.003 INCHES] FOR CONTACT TERMINATION DIAMETERS ±0.13mm [.005 INCHES] FOR ALL OTHER DIAMETERS ±0.38mm [.015 INCHES] FOR ALL OTHER DIMENSIONS ±5° FOR ALL ANGLES DIMENSION ARE IN MILLIMETERS [INCHES]		PART NUMBER DD15M00000/AA	SERIES DD	
CREATED ON: 2020-07-01		SHEET SHEET 1 OF 1	REV A	
TITLE DD15M00000/AA				

6

5

4

3

2

1