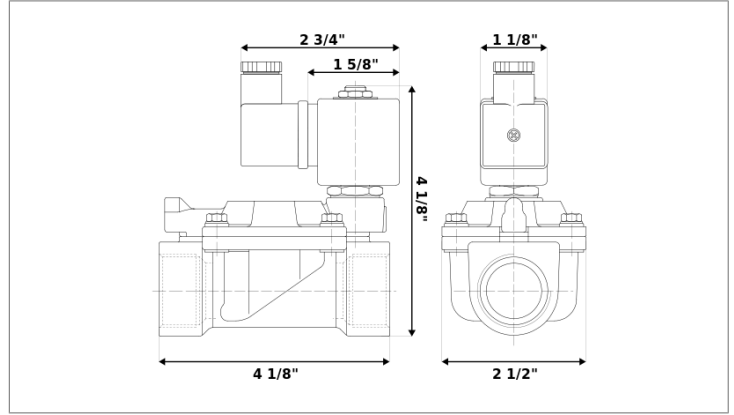


DKSV267




Normally closed, pilot operated, 2-way solenoid valve with low lead brass body and 3/4" connections



| Valve | |
|----------------------|---------------------------------------|
| Pipe size: | 3/4" NPT |
| Operating pressure: | 3–230 psi |
| Flow coefficient: | 9.8 Cv |
| Media temperature: | 15–180 °F |
| Ambient temperature: | -5–140 °F |
| Suggested usage: | Potable water |
| Operation: | 2-way, normally closed solenoid valve |
| Mechanism: | Pilot operated |
| Manual override: | No |
| Pipe gender: | Female |
| Orifice size: | 3/4" |
| Design pressure: | 360 psi |
| Media viscosity: | 12 cSt |

| Electrical | |
|----------------------|---------------------|
| Power: | 240 V ac |
| Connection: | Cable gland (PG9) |
| Holding: | 16 VA |
| Inrush: | 25 VA |
| Voltage tolerances: | +10% -15% |
| Coil inner diameter: | 1/2" |
| Coil molding: | Polyethylene (PET) |
| Coil rating: | -5–355 °F (Class H) |
| Duty cycle: | Continuous, 100% ED |
| Enclosure: | NEMA 4, IP65 |

| Materials | |
|---------------|---------------------|
| Body: | Low lead brass |
| Seal: | EPDM rubber (EPDM) |
| Orifice: | Low lead brass |
| Core tube: | Stainless steel 300 |
| Fixed core: | Stainless steel 400 |
| Plunger: | Stainless steel 400 |
| Spring: | Stainless steel 300 |
| Shading ring: | Copper |

| Spare parts | | |
|--|---|---|
| CORE TUBE | REPAIR KIT | COIL/CONNECTOR |
| AT-N0E1 | RK-W0E2-02 | C-B59 |
|  |  |  |
| <ul style="list-style-type: none"> • Core tube • Plunger • O-ring | <ul style="list-style-type: none"> • Diaphragm • O-rings (2) • Plunger | <ul style="list-style-type: none"> • 240 V ac electrical coil • Cable gland connector |