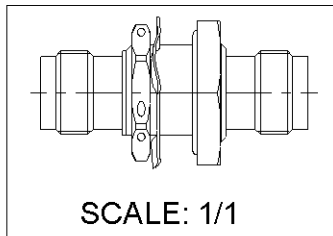
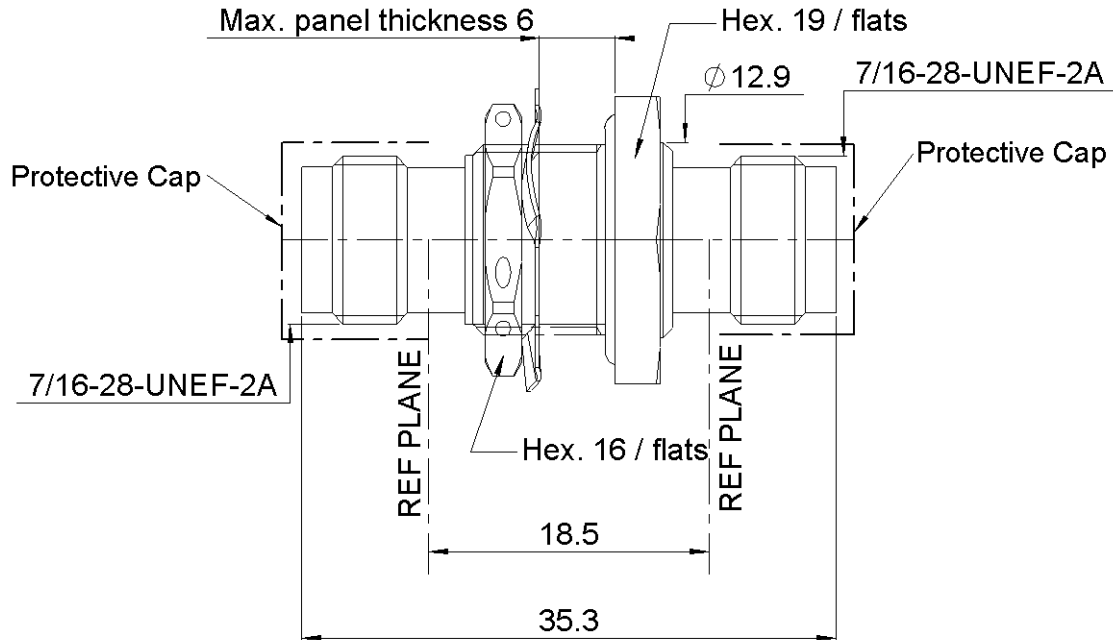
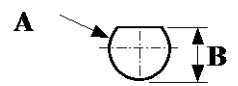


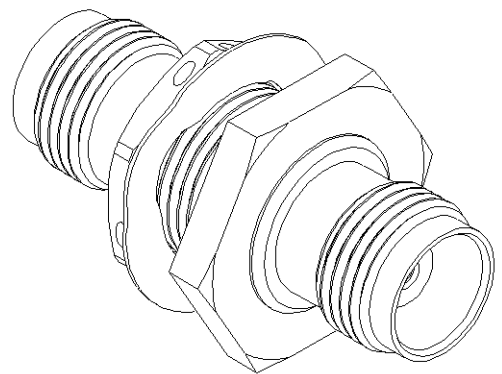
PAGE 1/2	ISSUE 16-10-15D	SERIES TNC	PART NUMBER R143753120
----------	-----------------	------------	------------------------



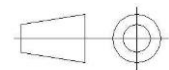
PANEL CUT OUT



mm	
	Maxi mini
A	12.8 12.7
B	12.05 11.95



All dimensions are in mm.



COMPONENTS	MATERIALS	PLATING (µm)
Body	BRASS	NICKEL 2
Center contact	BERYLLIUM COPPER	GOLD 0.5 OVER NICKEL 2
Outer contact	-	-
Insulator	PTFE+GLASS BEAD	-
Gasket	BLACK FLUOROCARBON	-
Others parts	STAINLESS STEEL	PASSIVATED.
-	-	-
-	-	-

PAGE 2/2	ISSUE 16-10-15D	SERIES TNC	PART NUMBER R143753120
----------	-----------------	------------	------------------------

PACKAGING

Standard	Unit	Other
100	Contact us	Contact us

ELECTRICAL CHARACTERISTICS

Impedance		50	Ω
Frequency		0-11	GHz
VSWR	1.45	+	0,0000 x F(GHz) Maxi
Insertion loss		0.1	√F(GHz) dB Maxi
RF leakage	- (57	- F(GHz) dB Maxi
Voltage rating		500	Veff Maxi
Dielectric withstanding voltage		1500	Veff mini
Insulation resistance		5000	MΩ mini

ENVIRONMENTAL

Operating temperature	-65/+165	°C
Hermetic seal	10-8	Atm.cm3/s
Panel leakage	IP67	

MECHANICAL CHARACTERISTICS

Center contact retention			
Axial force – Mating End		26	N mini
Axial force – Opposite end		26	N mini
Torque		NA	N.cm mini
Recommended torque			
Mating		NA	N.cm
Panel nut		300	N.cm
Mating life		500	Cycles mini
Weight		22,1000	g

SPECIFICATION

ASN-E0461 TE00 - -

OTHER CHARACTERISTICS

Assembly instruction:

Others: