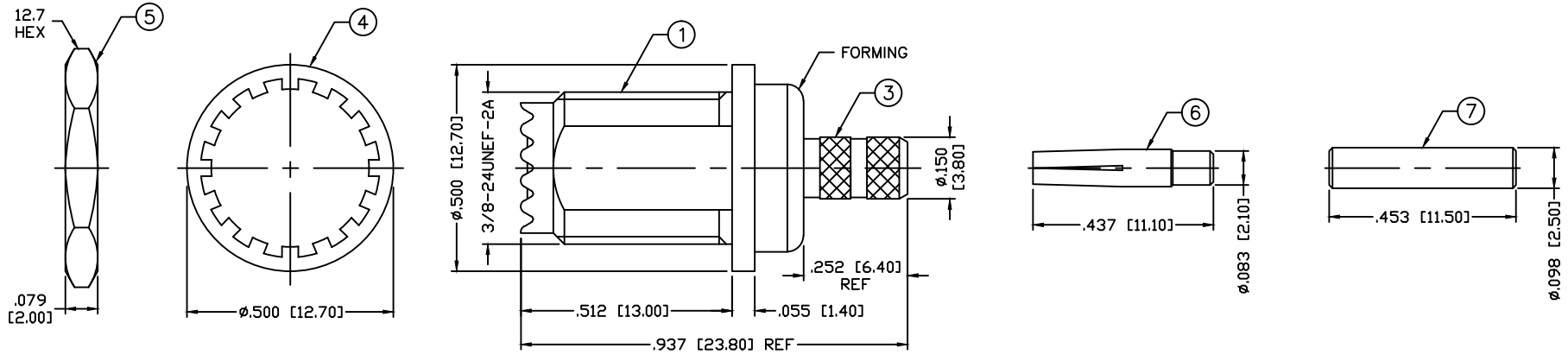


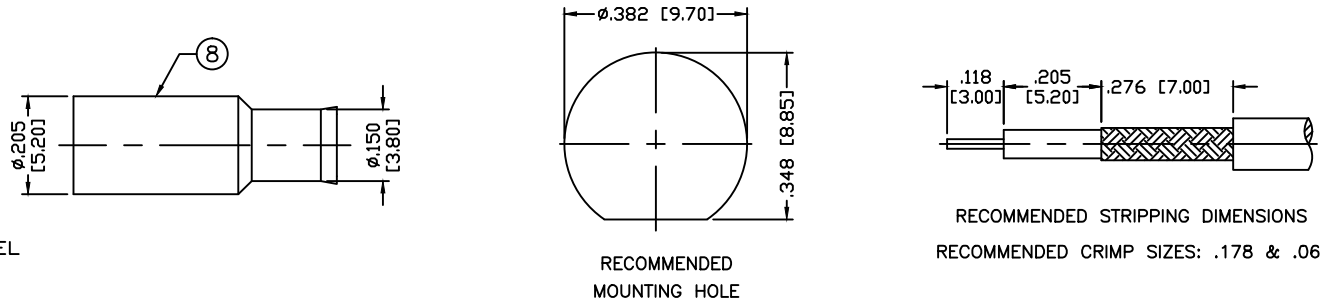
THIS DRAWING CONTAINS INFORMATION PROPRIETARY TO RF INDUSTRIES,
 ANY UNAUTHORIZED USE OF THIS DRAWING IS EXPRESSLY PROHIBITED
 WITHOUT WRITTEN PERMISSION FROM RF INDUSTRIES.
 ANY VIOLATION IS PUNISHABLE UNDER U.S. COPYRIGHT LAWS.

PART NO.		RFU-617-B		
REV	DESCRIPTION	DWN	DATE	APPROVED
-	ENGINEERING RELEASE	CZS	8/25/00	JDMc



SPECIFICATIONS:

IMPEDANCE: 50 Ohms
 WORKING VOLTAGE: 500 VRMS @ SEA LEVEL
 FREQUENCY RANGE: 0-4 GHz
 INSERTION LOSS: ≤ -.2dB @ 3 GHz
 VSWR MAX: 1.4:1 @ 3 GHz
 FOR RG-174, 188, 188A, 316/U, ALPHA 9174, 9316,
 BELDEN 8216, 83269, 83284, 84316 & TIMES LMR-100A CABLE



RECOMMENDED STRIPPING DIMENSIONS
 RECOMMENDED CRIMP SIZES: .178 & .068

ALL DIMENSIONS ARE REFERENCE ONLY

1	BODY	1	BRASS	NICKEL, 100 MICRO
2	INSULATOR	1	PTFE	---
3	FERRULE STUD	1	BRASS	NICKEL, 100 MICRO
4	LOCK WASHER	1	BRASS	NICKEL, 100 MICRO
5	HEX NUT	1	BRASS	NICKEL, 100 MICRO
6	CONTACT	1	P. BRONZE	GOLD, 3 MICRO
7	INSERT	1	DELRIN	---
8	FERRULE	1	STEEL	NICKEL, 100 MICRO
9				
10				
11				
12				
13				
14				
#	DESCRIPTION	QTY	MATRL	FINISH

008974	
DRAWN	
C. ZUNIGA	8/25/00
CHECKED	
ORJ DRAWN	
C. ZUNIGA	12/13/99
APPROVALS	DATE

UNLESS OTHERWISE SPECIFIED:
 1. REMOVE ALL BURRS
 2. BREAK ALL CORNERS & EDGES .005 R. MAX.
 3. CHAMFER 1ST & LAST THREADS 45°
 4. SURFACE ROUGHNESS 63 FINISH MIL-STD-10
 5. DIAMETERS ON COMMON CENTERS TO BE CONCENTRIC WITHIN .002 T.I.R.
 6. ALL DIMENSIONS ARE AFTER PLATING.

DIMENSIONS ARE IN INCHES AND [MILLIMETERS]
 UNLESS OTHERWISE NOTED TOLERANCES ARE:

DECIMALS	DIAMETER
.XXX±.003 [.08]	.XXX±.001 [.03]
.XX±.005 [.13]	.XX±.003 [.08]

RF

7610 MIRAMAR RD
 SAN DIEGO, CA 92126
 (858) 549-6340
 (858) 549-6345 FAX

DIVISION OF RF INDUSTRIES, LTD.

MINI UHF JACK

BULKHEAD CRIMP, REAR MOUNT

SIZE	CABLE GROUP	DWG NO.	REV
A	B	RFU-617-B	-

SCALE: NTS CAD FILE OUTLINE SHEET 1 OF 1