

MATERIALS AND FINISHES

BODY: BRASS
PLATED TRI-M

CENTER CONTACT: BRASS
PLATED SILVER

INSULATOR: TEFLON

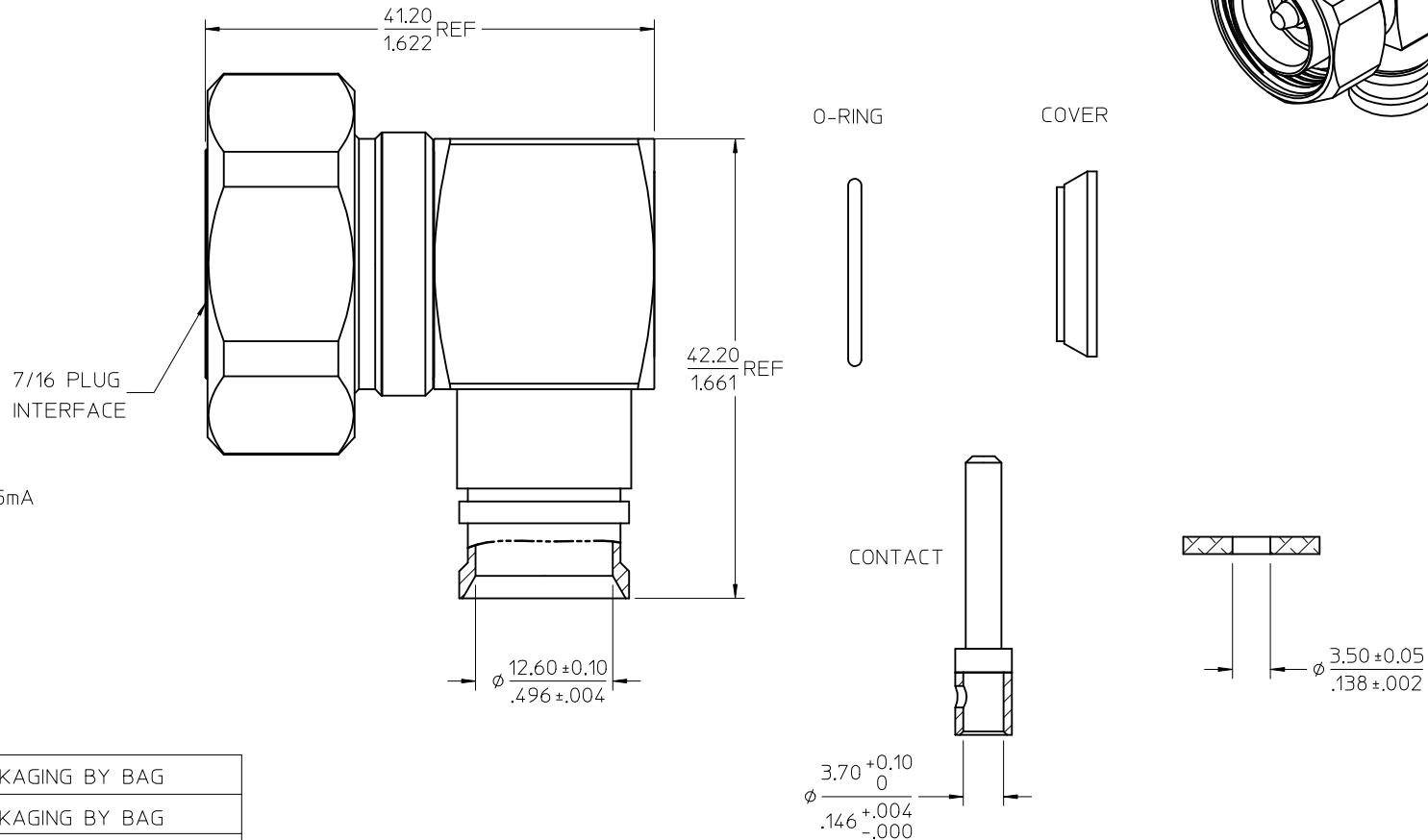
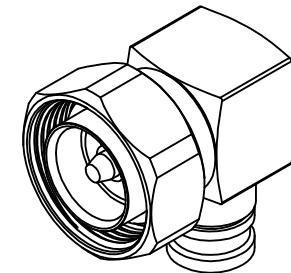
INSULATING SPACER: TEFLON

COUPLING NUT: BRASS
PLATED NICKEL

O-RINGS: SILICONE RUBBER

PERFORMANCE REQUIREMENTS:
FREQUENCY RANGE: 0-3800MHZ
IMPEDANCE: 50 OHM
WITHSTAND VOLTAGE(AC): 1500V @0.5mA
VSWR: TYPE X TYPE T
≤1.08(0-1GHz)
≤1.10(1-2.2GHz)
≤1.13(2.2-3GHz) ≤1.13(0-3.8GHz)
PIM3(2X20W): ≤ -155dBc@1800MHZ
WATER-PROOF: IP68 WHEN MATED

SEE TABLE: CONNECTORS SHIPPED
WITH POLYETHYLENE DUST
CAPS ON INTERFACE

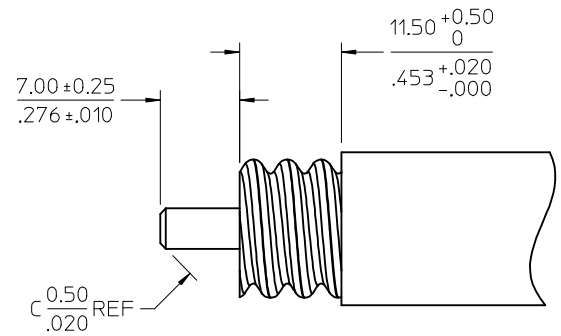


73134-2863	YES	PACKAGING BY BAG
73134-2862	YES	PACKAGING BY BAG
73134-2861	NO	PACKAGING BY BAG
73134-2860	NO	BLANK
PART NO.	DUST CAP	PACKAGING

IEC60169-4	INTERFACE
SPECIFICATION	DESCRIPTION

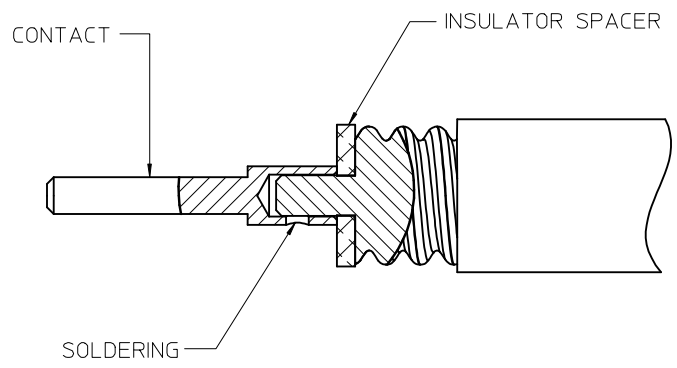
CHG: INNER CONTACT AND PACKAGING UPDATE EC NO: URF2017-0067 DRWN:YHUANG11 2016/09/13 CHKD: APPR:MYE08 2016/09/29 B2	DESCRIPTION QUALITY SYMBOLS ▽=0 ▽=0	GENERAL TOLERANCES (UNLESS SPECIFIED)	DIMENSION STYLE MM/IN	SCALE	DESIGN UNITS METRIC	THIRD ANGLE PROJECTION	
		4 PLACES ± --- ± ---	DRAWN BY LCHEN03	DATE 2015/07/02	TITLE 7/16 PLUG R/A,SOLDERING FOR 1/2*SF CABLE 7/16-P		
		3 PLACES ± --- ± ---	CHECKED BY YHUANG11	DATE 2015/07/02	MOLEX INCORPORATED SD-73134-286 SHEET NO. 1 OF 2		
		2 PLACES ± --- ± ---	APPROVED BY	DATE			
1 PLACE ± --- ± ---	ANGULAR ± 2 °		MATERIAL NO. SEE TABLE	DOCUMENT NO. SD-73134-286	THIS DRAWING CONTAINS INFORMATION THAT IS PROPRIETARY TO MOLEX INCORPORATED AND SHOULD NOT BE USED WITHOUT WRITTEN PERMISSION		
DRAFT WHERE APPLICABLE MUST REMAIN WITHIN DIMENSIONS							

STEP 1

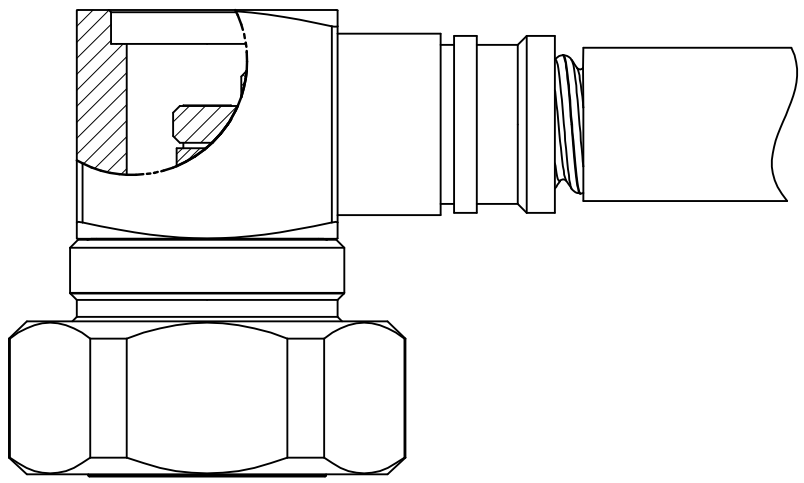
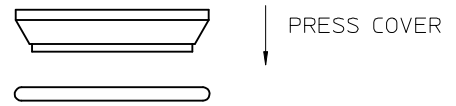


1/2SF CABLE
RECOMMENDED STRIP DIMENSIONS

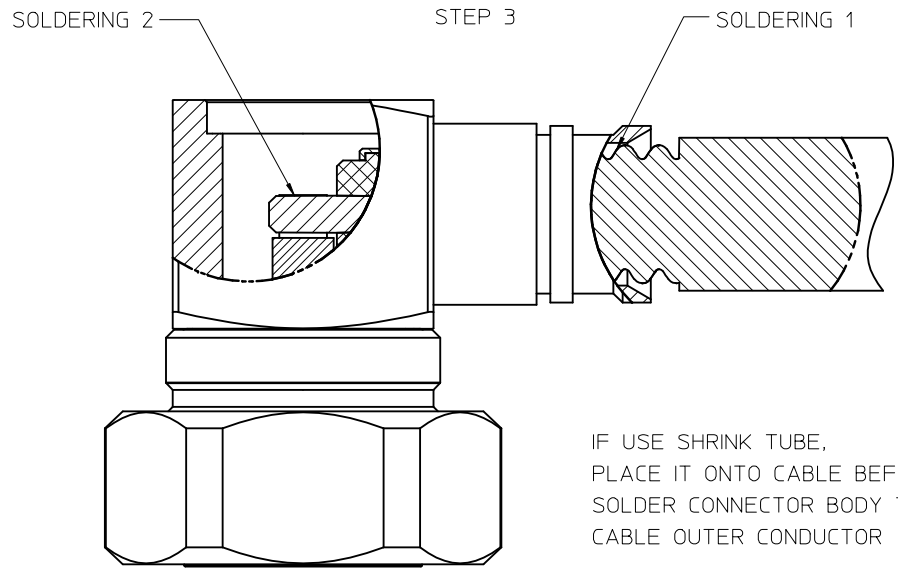
STEP 2



STEP 4



STEP 3



CHG: SEE SHEET 1	QUALITY SYMBOLS
EC NO: URF2017-0067	▽=0
DRWN:YHUANG11 2016/09/13	▽=0
CHKD:	▽=0
APPR:MYE08 2016/09/29	
REV	
B2	

GENERAL TOLERANCES (UNLESS SPECIFIED)
mm INCH
4 PLACES ± --- ± ---
3 PLACES ± --- ± ---
2 PLACES ± --- ± ---
1 PLACE ± --- ± ---
0 PLACE ± --- ± ---
ANGULAR ± 2°
DRAFT WHERE APPLICABLE MUST REMAIN WITHIN DIMENSIONS

DIMENSION STYLE	SCALE	DESIGN UNITS	THIRD ANGLE PROJECTION
MM/IN	3:1	METRIC	
DRAWN BY	DATE	TITLE	
LCHEN03	2015/07/02	7/16 PLUG R/A,SOLDERING FOR 1/2*SF CABLE 7/16-P	
CHECKED BY	DATE	molex	
YHUANG11	2015/07/02		
APPROVED BY	DATE		
MATERIAL NO.	DOCUMENT NO.	SHEET NO.	
SEE TABLE	SD-73134-286	2 OF 2	
SIZE	THIS DRAWING CONTAINS INFORMATION THAT IS PROPRIETARY TO MOLEX INCORPORATED AND SHOULD NOT BE USED WITHOUT WRITTEN PERMISSION		
C			