

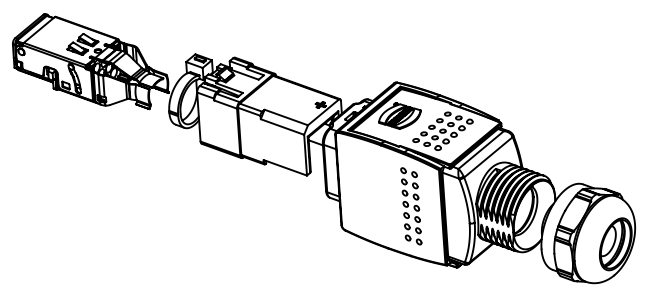
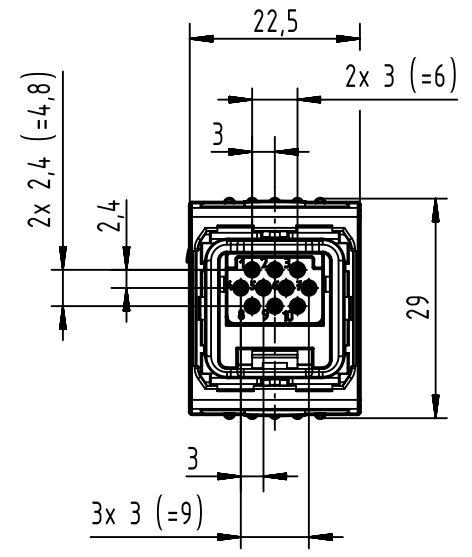
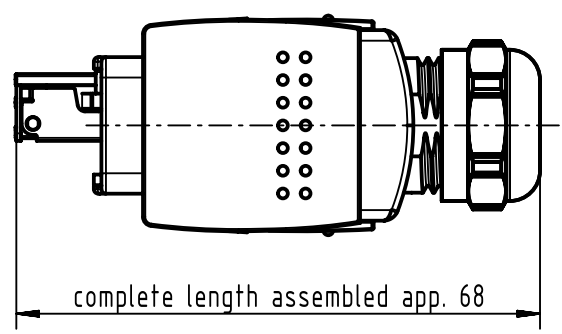
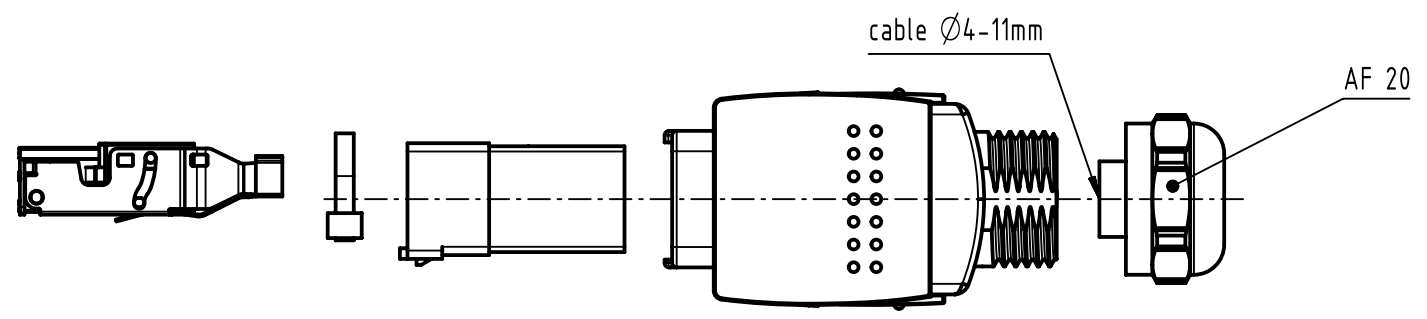
1 2 3 4 5 6


A

B

C

D



|                                                                                     |                                              |  |                                               |  |                       |  |                             |  |                                                          |  |
|-------------------------------------------------------------------------------------|----------------------------------------------|--|-----------------------------------------------|--|-----------------------|--|-----------------------------|--|----------------------------------------------------------|--|
|  | All Dimensions in mm<br>Original Size DIN A4 |  | Scale<br>1:1                                  |  | Free size tol.        |  | Ref.                        |  |                                                          |  |
|                                                                                     | All rights reserved<br>Department EC PD - DE |  | Created by<br>ELLERMANN                       |  | Inspected by<br>ZWAHR |  | Standardisation<br>HOFFMANN |  |                                                          |  |
| HARTING Electronics GmbH<br>D-32339 Espelkamp                                       |                                              |  | Title<br>Han PP V14 Signal plug 10 pole metal |  |                       |  | Date<br>2018-04-10          |  | State<br>Final Release                                   |  |
|                                                                                     |                                              |  | Type<br>TB                                    |  |                       |  | Number<br>09352610401       |  | Doc-Key / ECM-Nr.<br>100232860/UGD/004/D<br>500000129250 |  |
|                                                                                     |                                              |  |                                               |  |                       |  | Rev.<br>D                   |  | Page<br>1/1                                              |  |