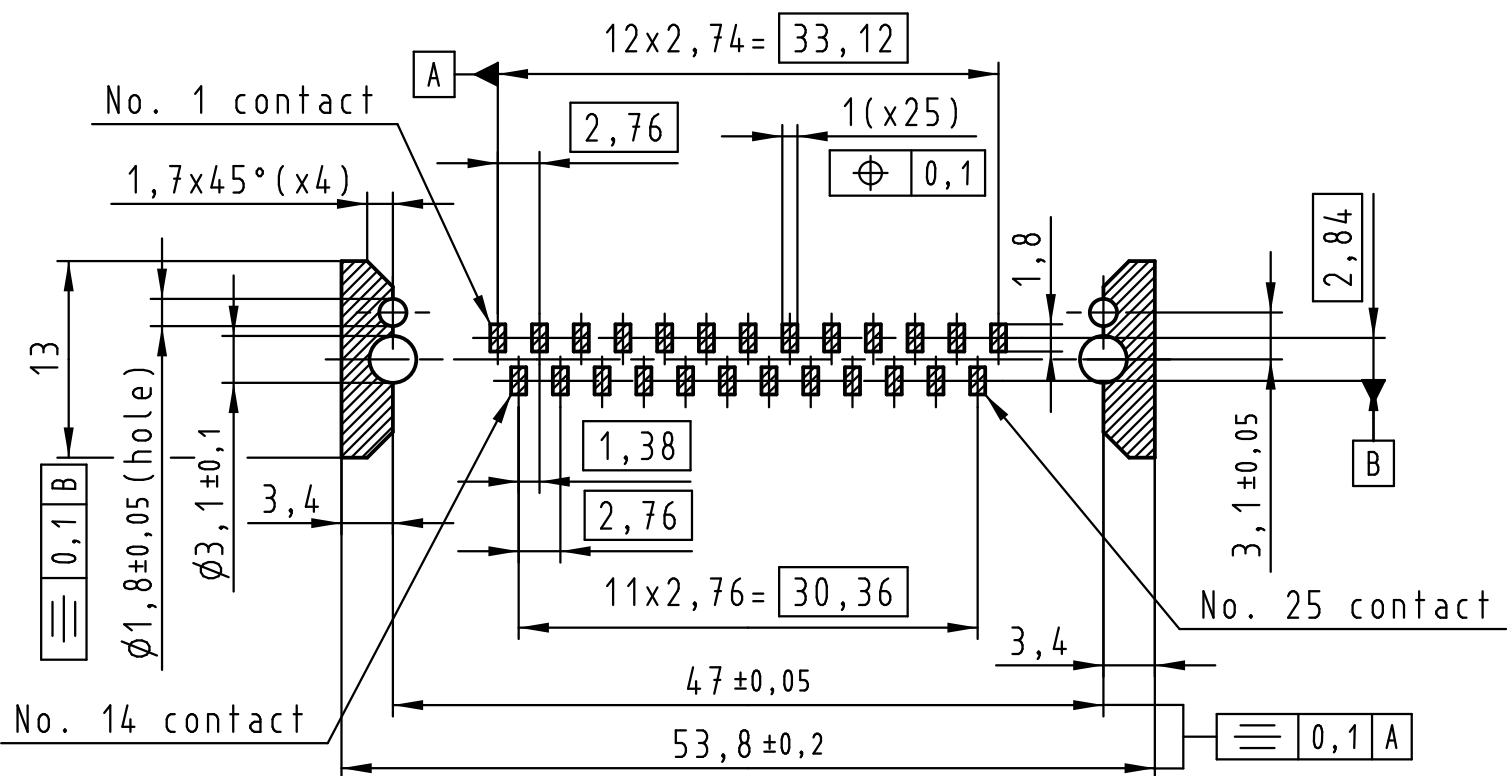
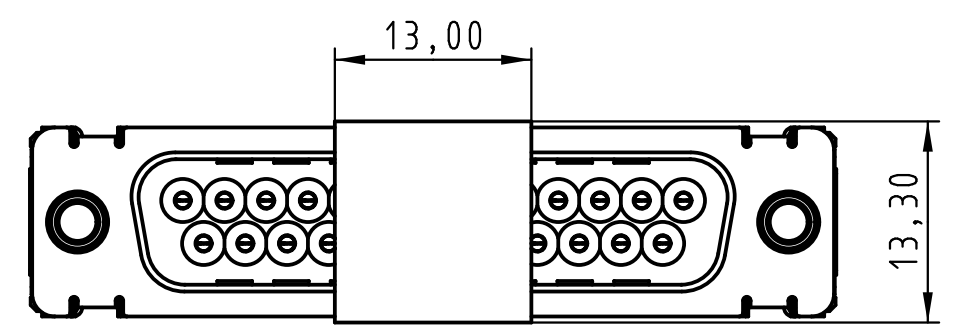
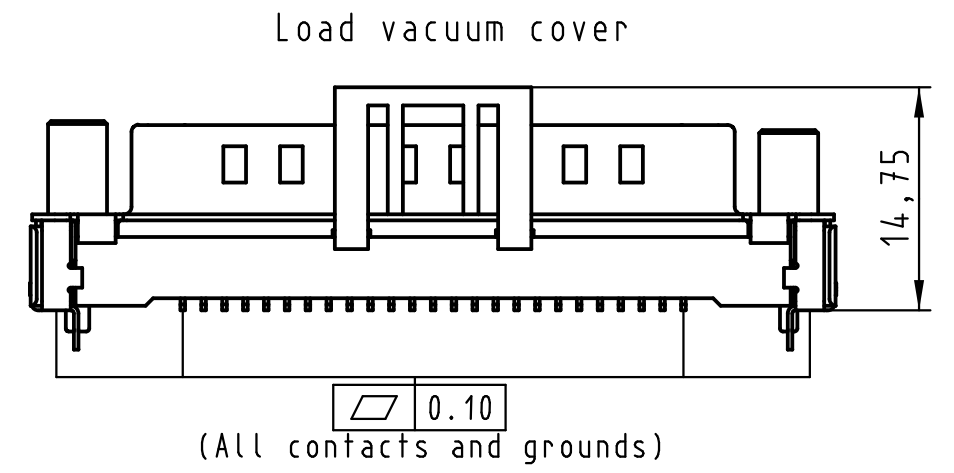
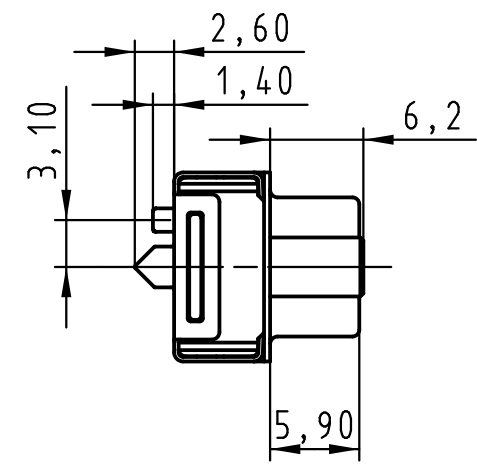
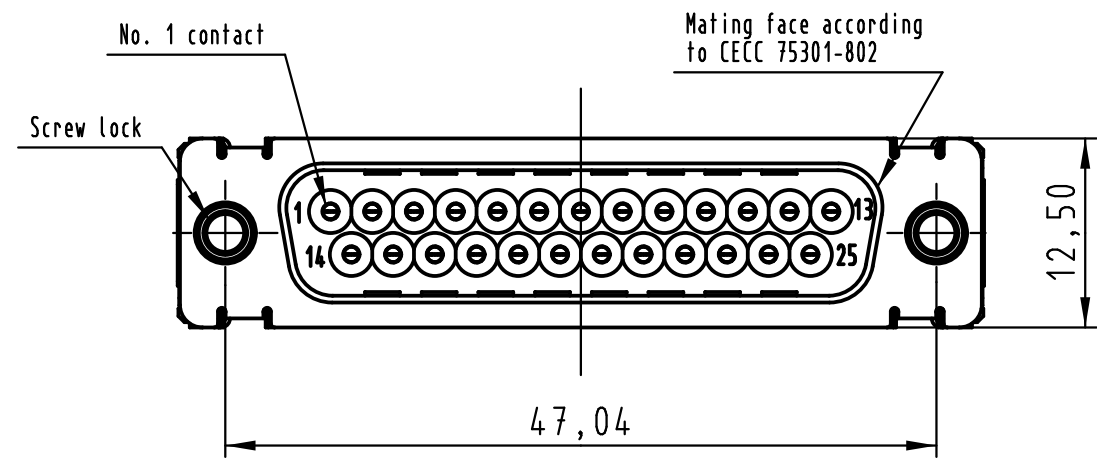
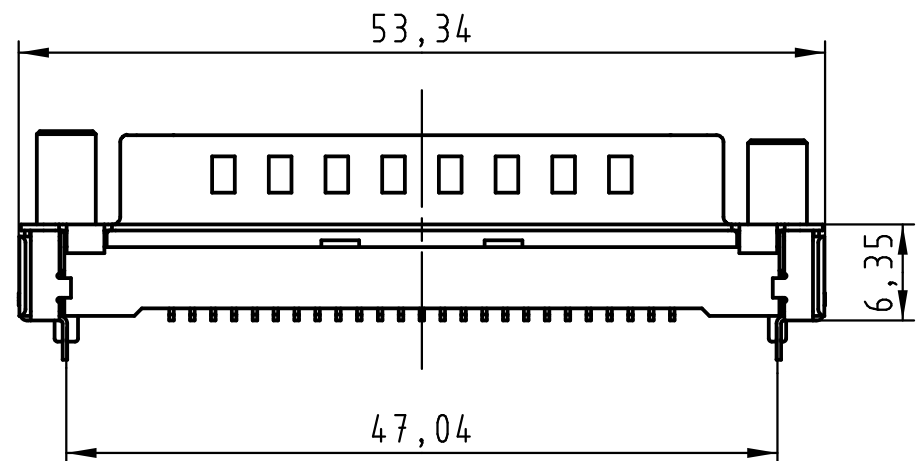


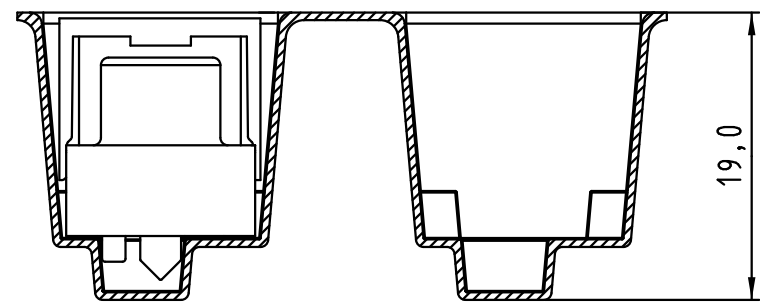
All rights reserved



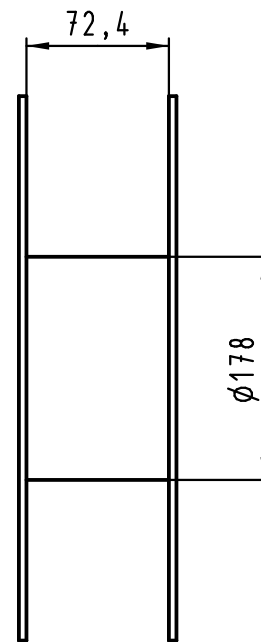
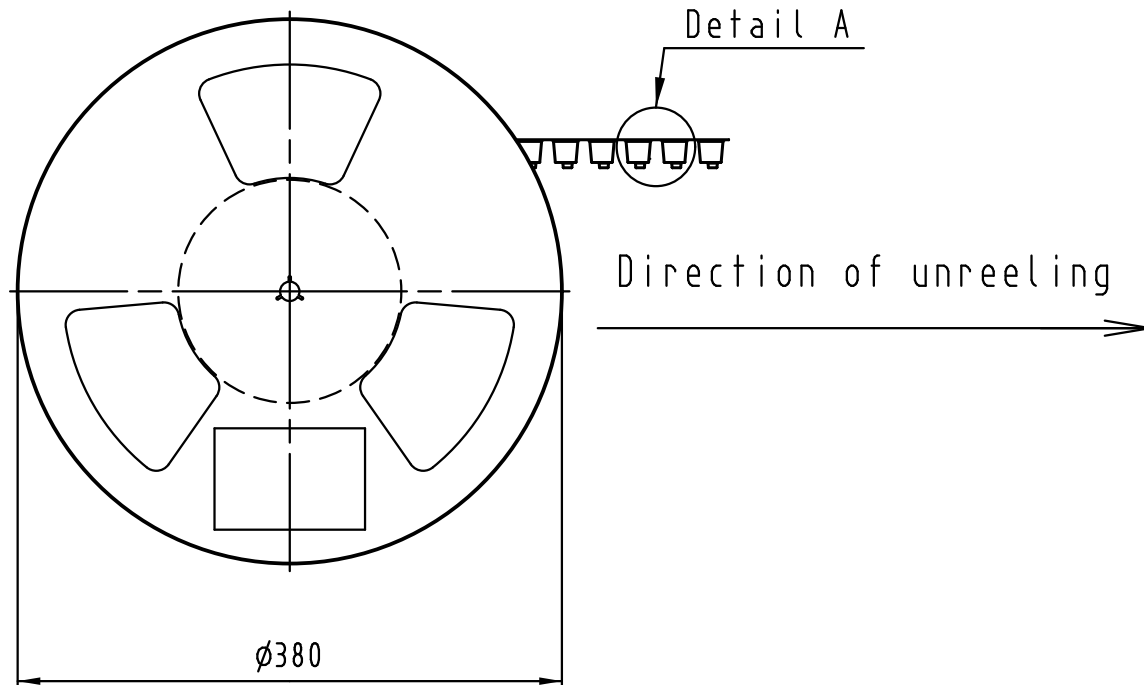
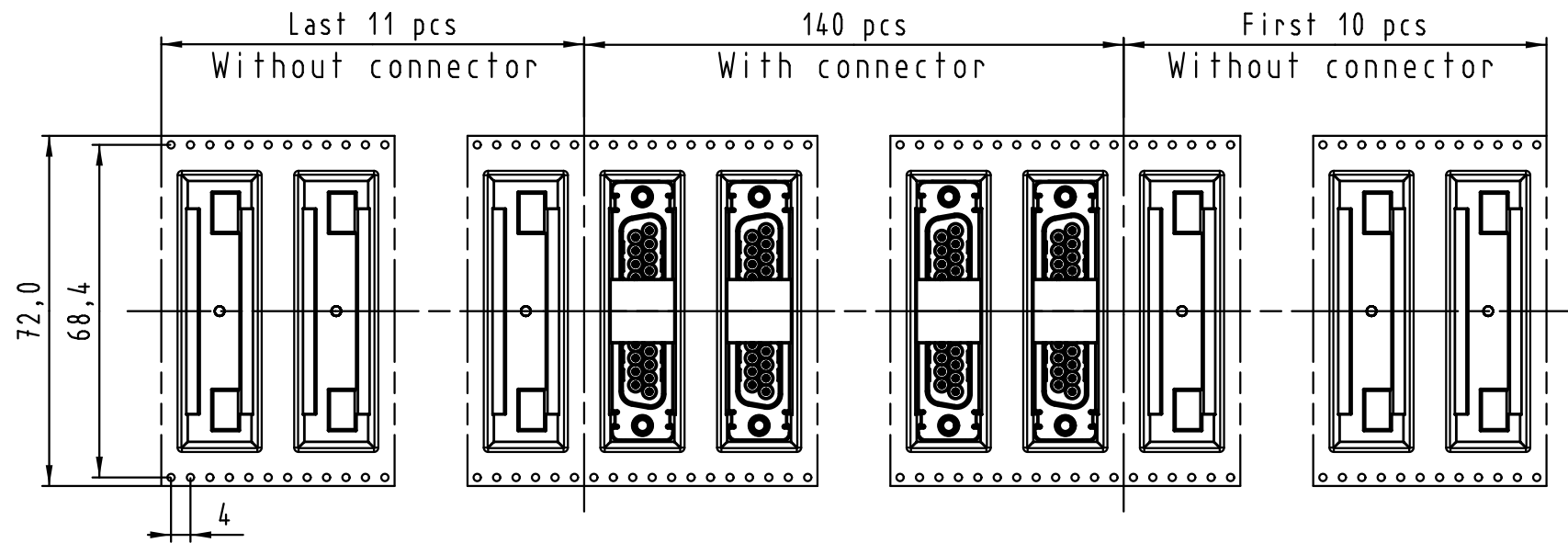
PCB layout, component side

Max. Temperature: 260° during 10 seconds.

0955 369 3821 741	1	M3	Black insulator	Reel Packaging: 140 connectors (See details on page2/2)
0955 369 3822 741	1	4-40 UNC		
0955 369 6821 741	2	M3		
0955 369 6822 741	2	4-40 UNC		
0955 369 7821 741	3	M3		
0955 369 7822 741	3	4-40 UNC		
Part number		PL	Screw lock	Index designation
		Techn. Character.		Free size tolerances
				D-Sub SMT, 25 poles Male, Straight with screw locks and ground pins
EC04070		17-Nov-11	Johnson.S	Zhuhai HARTING Limited
Mod.	Dat.	Name		
				TB 09 55 369 x82x
				Page 1/2



Detail A



See TB 09 55 369 x82x folio 1/2 for connector dimensions and PCB layout

Packaging in accordance with EIA 481-2.

0955 369 3821 741	1	M3	Black insulator	Reel Packaging: 140 connectors
0955 369 3822 741	1	4-40 UNC		
0955 369 6821 741	2	M3		
0955 369 6822 741	2	4-40 UNC		
0955 369 7821 741	3	M3		
0955 369 7822 741	3	4-40 UNC		
Part number	PL	Screw lock	Index designation	

All Dimensions in mm Original Size DIN A 3	Techn. Character.			Free size tolerances	
		Dat.	Name	Scale	
		Detail.	25-Oct-11 Johnson.S	D-Sub SMT, 25 poles Male, Straight with screw locks and ground pins	
		Insp.	17-Nov-11 Steven.W		
	Stand.	17-Nov-11 Steven.W			
EC04070	17-Nov-11	Johnson.S	Zhuhai HARTING Limited		TB 09 55 369 x82x Sub.
Mod.	Dat.	Name			

All rights reserved