

LOC	DIST	REVISIONS			
P	LTR	DESCRIPTION	DATE	DWN	APVD
E	B	C	ECR-06-001518	26JAN06	JMS FWK

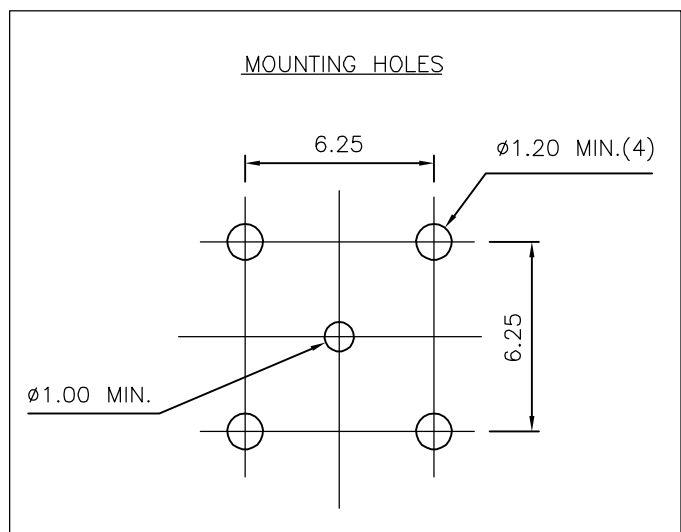
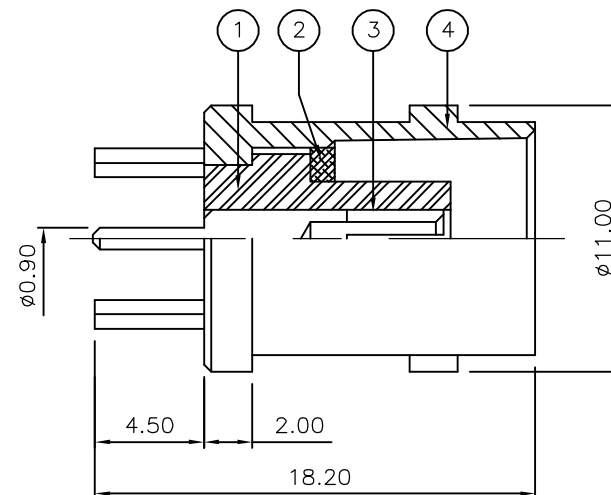
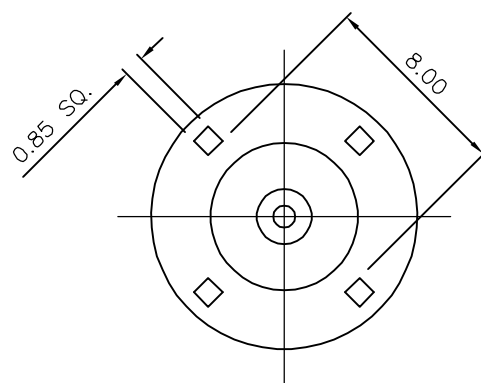
NOTES:

- 1 PACK IN ACCORDANCE WITH AMP SPEC 107-3275
- 2 100 TRAY PACK IN ACCORDANCE WITH AMP SPEC 107-3275
- 3 Au PLATING
- 4 Ni PLATING
- 5 ELECTRICAL CHARACTERISTICS

FREQUENCY RANGE:	DC - 4 GHz
NOMINAL IMPEDANCE:	50 Ohm
INSULATION RESISTANCE:	5000 MOhm
WORKING VOLTAGE:	500 Volts RMS at Sea Level
DIELECTRIC WITHSTAND VOLTAGE:	1500 Volts RMS Max
CONTACT RESISTANCE:	
CENTRE CONTACT:	1.50 mOhm Max
OUTER CONTACT:	0.20 mOhm Max
VSWR @ xGHz:	N/A
INSERTION LOSS xdb:	N/A
- 6 MECHANICAL CHARACTERISTICS

COUPLING RETENTION FORCE:	N/A
CABLE RETENTION FORCE:	N/A
DURABILITY:	500 Cycles Min
- 7 ENVIRONMENTAL CHARACTERISTICS

OPERATING TEMPERATURE:	-65 to +165 DegC
------------------------	------------------



QTY	QTY PER ASSY	MATERIAL	DESCRIPTION	ITEM
1	1	BRASS	BODY	4
1	1	BRASS	CONTACT	3
1	1	BRASS	SLEEVE	2
1	1	PTFE	INSULATION	1
6--0	1--0		MATERIAL	DESCRIPTION
				ITEM

THIS DRAWING IS A CONTROLLED DOCUMENT.		DWN J.SANDWELL 26JAN06		Tyco Electronics Corporation Bideford EX39 4HE													
DIMENSIONS: mm		CHK S.PARLOW 26JAN06															
TOLERANCES UNLESS OTHERWISE SPECIFIED:		APVD F.WHEELER-KING 26JAN06		NAME BNC STRAIGHT PCB SOCKET 50 OHM													
<table border="0"> <tr><td>0 PLC</td><td>± -</td></tr> <tr><td>1 PLC</td><td>± -</td></tr> <tr><td>2 PLC</td><td>± -</td></tr> <tr><td>3 PLC</td><td>± -</td></tr> <tr><td>4 PLC</td><td>± -</td></tr> <tr><td>ANGLES</td><td>± -</td></tr> </table>		0 PLC	± -	1 PLC	± -	2 PLC	± -	3 PLC	± -	4 PLC	± -	ANGLES	± -	PRODUCT SPEC -		SIZE A3	
0 PLC	± -																
1 PLC	± -																
2 PLC	± -																
3 PLC	± -																
4 PLC	± -																
ANGLES	± -																
MATERIAL SEE TABLE		APPLICATION SPEC -		CAGE CODE 00779													
FINISH -		WEIGHT -		DRAWING NO C-1337535													
CUSTOMER DRAWING				RESTRICTED TO -													
SCALE NTS				SHEET 1 OF 1													
				REV C													