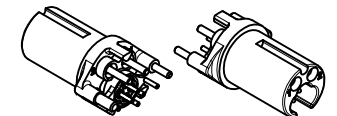
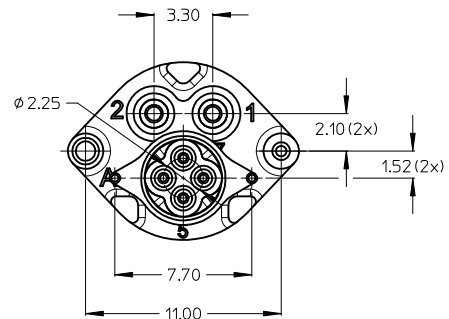
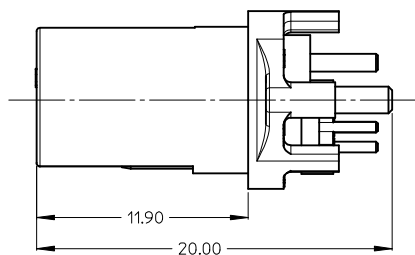
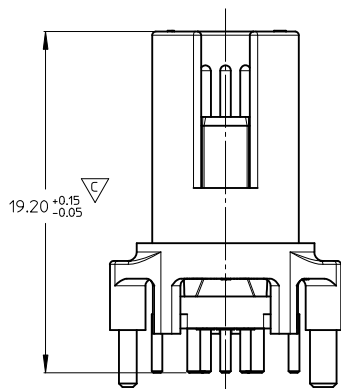


CUTAWAY-1



Description:
M12 Hybrid Receptacle Connector Insert with special keyway.
Parts to be free of paint wetting impairment substances.

Electrical Data:
Signal:
Poles:4
Max.Voltage:30V
Max.Current:0,5A at 55°C
Contact Resistance:<5m0hm
Insulation resistance:>100M0hm

Power:
Poles:2
Max.Voltage:30V
Max.Current:12A at 55°C
Contact Resistance:<5m0hm
Insulation Resistance:>100M0hm

Environmental:
Degree of Protection IP67
Temperature Range: -25°C to 75°C
Soldering Temperature: 180°C/ 20-40sec
at the placement side of the PCB

Packaging
Refer to PK-120355-001

Material compliant to ROHS directive 2002/95/EC

Pinout/PCB Layout Dimensions
refer to Drawing RAS-120355-001

ENTER DESCRIPTION EC NO: WEU2011-0056 DRAWN BY: RSILLER 2010/08/18 CHKD: EROEZDEMIR 2010/08/24 APPR: AVOGT 2010/08/27	QUALITY SYMBOLS ▽=3 ▽=1	GENERAL TOLERANCES (UNLESS SPECIFIED)		DIMENSION STYLE MM ONLY	SCALE 5:1	DESIGN UNITS METRIC	THIRD ANGLE PROJECTION
		4 PLACES ± --- ± --- 3 PLACES ± --- ± --- 2 PLACES ± 0.05 ± --- 1 PLACE ± 0.1 ± --- ANGULAR ± 0.5°	mm INCH	DRAWN BY: RSILLER DATE: 2010/08/18	CHECKED BY: EROEZDEMIR DATE: 2010/08/24	TITLE FEMALE RECEPTACLE PCB M12 CHT 4+2 HYBRIDE	
2	DESCRIPTION	DRAFT WHERE APPLICABLE MUST REMAIN WITHIN DIMENSIONS		MATERIAL NO. 1203550001	APPROVED BY: AVOGT DATE: 2010/08/27	MOLEX INCORPORATED	
		SIZE A 2		THIS DRAWING CONTAINS INFORMATION THAT IS PROPRIETARY TO MOLEX INCORPORATED AND SHOULD NOT BE USED WITHOUT WRITTEN PERMISSION		DOCUMENT NO. SD-120355-001	SHEET NO. 1 OF 1