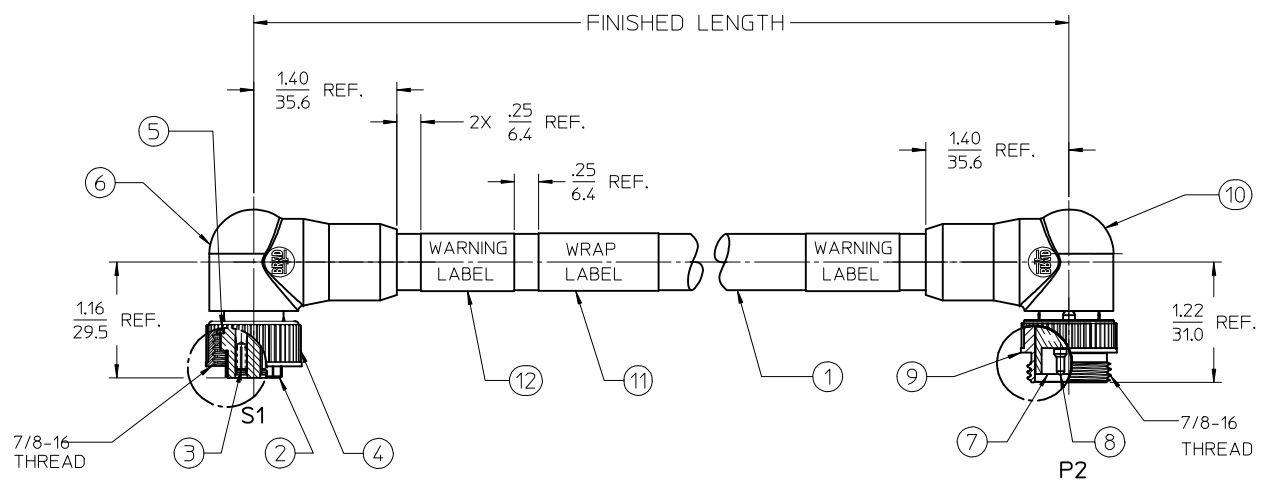
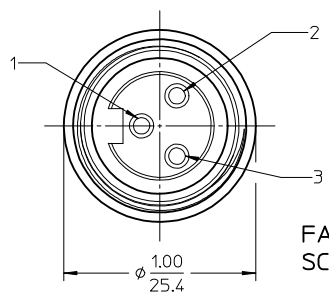


WIRING DIAGRAM



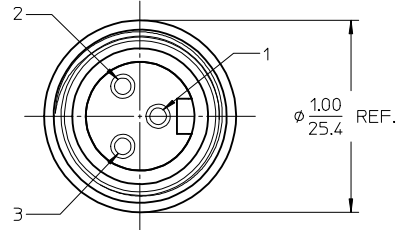
NOTES:

- 1) MATERIAL: SEE TABLE
- 2) FINISHES: SEE TABLE
- 3) WRAP LABEL IS MARKED WITH P/N, DATE CODE VOLTAGE & AMPERAGE
- 4) MATES WITH: MINI CHANGE 3 POLE RECEPTACLE
- 5) ELECTRICAL DATA:  
 14AWG UL TYPE: TC-ER STRANDED CABLE  
 MAX VOLTAGE: 600V  
 MAX CURRENT: 15A  
 PROTECTION IP67 (WHEN MATED)  
 TEMPERATURE RANGE: -20°C TO 90°C
- 6) PACKAGING:  
 CABLE ASSEMBLIES ARE BAGGED SEPERATLY IN POLY BAGS WITH BAR CODE LABEL ATTACHED TO OUTSIDE OF BAG.
- 7) ASSEMBLY IS RoHS COMPLIANT



FACE VIEW FEMALE SCALE: 2X

FACE VIEW MALE SCALE: 2X



PART NUMBER LEGEND

113033K20MXXXE

MC 3P FEM 90D TO MALE 90 DEG (EXT THD) — OVERMOLD OPTION E = RED

CABLE TYPE: 14 AWG TC ER, BLACK — FINISHED LENGTH:  
 M001= .1M  
 M010= 1.0M  
 M100= 10.0M

12	2	WARNING LABEL	VINYL	ORANGE/BLACK
11	1	WRAP LABEL	VINYL	BLACK/YELLOW
10	1	90 DEG OVERMOLD	PVC	RED
9	1	MALE COUPLING NUT	ZINC ALLOY	BLACK
8	3	CONTACT PIN	Cu ALLOY	GOLD PLATE
7	1	MALE INSERT	PVC	BLACK
6	1	90 DEG OVERMOLD	PVC	RED
5	1	FRICITION RING	NYLON	WHITE
4	1	FEMALE COUPLING NUT	ZINC ALLOY	BLACK
3	3	CONTACT SOCKET	Cu ALLOY	GOLD PLATE
2	1	FEMALE INSERT	PVC	BLACK
1	SEE NOTE 5	CABLE	TPE	BLACK
ITEM	QTY	DESCRIPTION	MATERIAL	FINISH

RELEASED	2015/11/10	DRWNR:STONE
EC NO: IPG2016-0693	2015/11/20	CHKD:KJOZWIK
	2015/12/04	APPR:BMWOODMAN
REV	DESCRIPTION	
A		

QUALITY SYMBOLS	GENERAL TOLERANCES (UNLESS SPECIFIED)
▽=0	mm INCH
▽=0	4 PLACES ± --- ± ---
	3 PLACES ± --- ± ---
	2 PLACES ± --- ± .01
	1 PLACE ± 0.3 ± ---
	0 PLACE ± --- ± ---
	ANGULAR ± 1 °
	DRAFT WHERE APPLICABLE MUST REMAIN WITHIN DIMENSIONS

DIMENSION STYLE IN/MM	
DRAWN BY	DATE
RSTONE	2015/11/10
CHECKED BY	DATE
KJOZWIK	2015/11/20
APPROVED BY	DATE
BWOODMAN	2015/12/04
MATERIAL NO.	
-	

SCALE 1:1	DESIGN UNITS INCH	THIRD ANGLE PROJECTION
TITLE		
MINI CHANGE CABLE ASSY FEM 90D TO MALE 90D EXTERNAL THREAD, RED		
<b>molex</b>		
DOCUMENT NO.	SHEET NO.	
SD-130062-026	1 OF 1	
THIS DRAWING CONTAINS INFORMATION THAT IS PROPRIETARY TO MOLEX INCORPORATED AND SHOULD NOT BE USED WITHOUT WRITTEN PERMISSION		