


SACC-DSI-FS-5CON-L180/12 SCOSH

Order No.: 1558548

<http://eshop.phoenixcontact.de/phoenix/treeViewClick.do?UID=1558548>

Sensor/actuator flush-type socket, 5-pos., M12 SPEEDCON, shielded, A-coded, rear/screw mounting with Pg9 thread, with straight solder connection, design with 12 mm long solder pins



| Commercial data | |
|--------------------------|--|
| GTIN (EAN) |  4 046356 295079 |
| sales group | D125 |
| Pack | 20 pcs. |
| Customs tariff | 85366990 |
| Catalog page information | Page 28 (PC-2009) |

Product notes

WEEE/RoHS-compliant since:
05/22/2007



<http://www.download.phoenixcontact.com>
Please note that the data given here has been taken from the online catalog. For comprehensive information and data, please refer to the user documentation. The General Terms and Conditions of Use apply to Internet downloads.

Technical data

General data

| | |
|-----------------------|--------|
| Rated current at 40°C | 4 A |
| Rated voltage | 60 V |
| Number of positions | 5 |
| Volume resistance | ≤ 3 mΩ |

| | |
|---------------------------------|--|
| Insulation resistance | ≥ 100 MΩ |
| Ambient temperature (operation) | -25 °C ... 85 °C (Male connector / female connector) |

General characteristics

| | |
|-------------------------------|---------------------------------|
| Standards/regulations | M12 connector IEC 61076-2-101 |
| Coding | A - standard |
| Surge voltage category | II |
| Pollution degree | 3 |
| Degree of protection | IP67 |
| Contact material | CuZn |
| Contact surface material | Au |
| Contact carrier material | PA 66 |
| Material, knurls | Zinc die-cast, (nickel-plated) |
| Sealing material | NBR |
| Mounting type | Rear mounting Pg9 With flat nut |
| Type of connection | Solder pins |
| Length of the solder contacts | 12 mm |
| Status display | No |

Certificates / Approvals

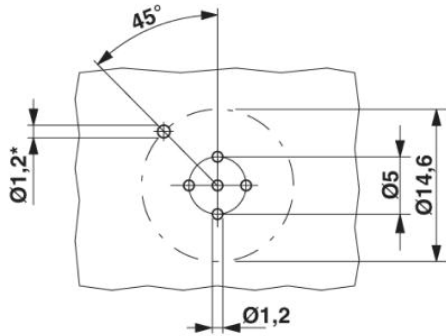


Certification UL

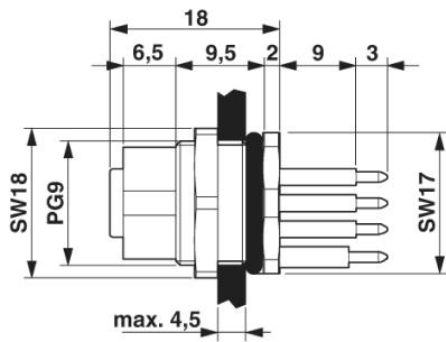
Diagrams/Drawings

Drilling plan/solder pad geometry

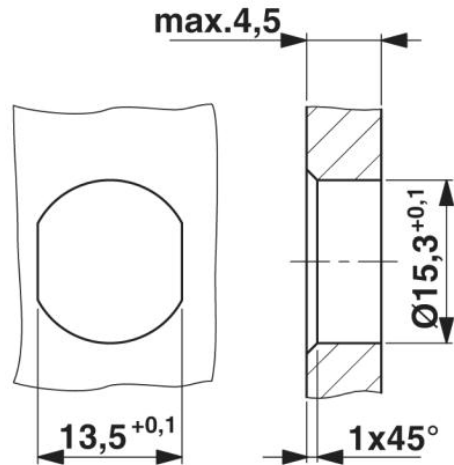
Drilling diagram



Dimensioned drawing

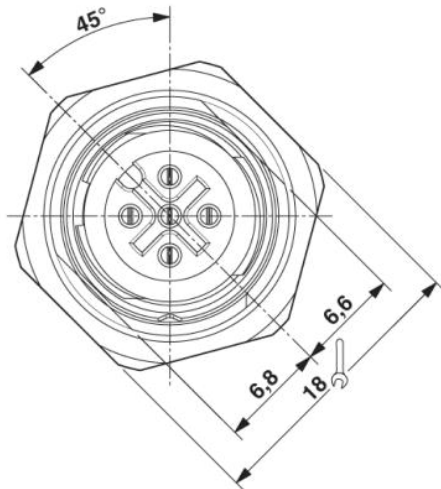


M12 SPEEDCON flush-type socket

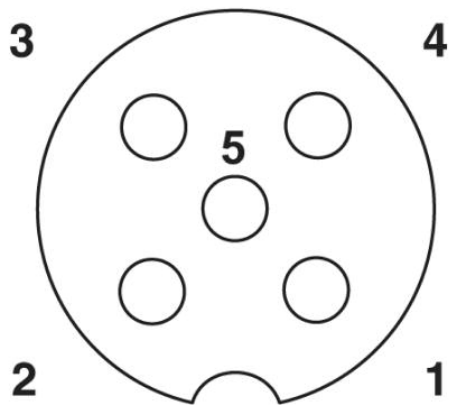


Housing cutout for Pg9 fastening thread, mounting panel with feed-through hole (alternatively with surface as protection against rotation)

M12 front view



Schematic diagram



Pin assignment M12 socket, 5-pos., A-coded, socket side view

Address

PHOENIX CONTACT Inc., USA
586 Fulling Mill Road
Middletown, PA 17057, USA
Phone (800) 888-7388
Fax (717) 944-1625
<http://www.phoenixcon.com>



© 2010 Phoenix Contact
Technical modifications reserved;